

Red Rooster Impulse Wrenches

PROFESSIONAL TOOLS FOR
FASTER ASSEMBLY

www.rami-yokota.com

Shut-off Models &
Non Shut-off Models

Sleeve drive sockets

Accessories

TiD-extra
Industrial Technologies d.o.o.



 redrooster

Application and impulse mechanism

Fast and Effective

X-Shape Sealing improves repeatability and durability.

Twin drive roller blades reduce noise, vibration and improves impulse efficiency.

One hand reverse operation for Right or Left handed operators.

Low noise exhaust, 360° adjustable.

1 Piece design front end plate and cylinder improves motor efficiency.

Double chamber air motor
9 Vanes motor design for smallest dimensions with highest power and acceleration results in a short time to reach the set torque and highest productivity.

Easy Torque Adjustment
The required torque can be easily adjusted by turning the adjust screw through the housing.

Reduce torque / **Increase torque**

Torque vs **Time** graph:
Conventional Impact Wrench vs Adjustable range of Oil-Pulse Wrench (0,2 - 1 sec).

Speed R.P.M. vs **Torque** graph:
Conventional Motor vs Double-Chamber Motor Torque.

Red Rooster is a notion in the European market since 1973. At that time introduced as our private brand but nowadays grown to one of the leading brands in the field of air tools. Red Rooster is well known for its reliable quality and offers you a complete range to interesting prices. This is especially true for the new Red Rooster impulse series. A pistol model, angle or straight, with or without shut-off, we have it all available.

Availability and reliability; therefore you can count on us. Also for service and maintenance, we are the right address. Our professional workshop has excellent test and maintenance equipment allowing us to guarantee optimum performance of your Red Rooster tools. Together with our local partners we guarantee you: **productivity.**

The correct impulse wrench for your application

1/4" 3/8"
1/2" 3/4"

Impulse Wrenches Shut-off Models

High speed

Impulse wrenches are highspeed production tools.
Impulse wrenches can save valuable production time: up to 35%.

Specified torque range

The specified torque range is measured in the laboratory under standard conditions. Therefore these torque figures are only to be used as a guidance. The actual torque range is depending on a variety of working conditions, eg: air pressure, joint hardness, used accessory.

The torque ranges are specified at a dynamic air pressure of 0.63 MPa, lower air pressure will result in lower torque. Please take note that these impulse wrenches are developed for a dynamic air pressure of 0.63 MPa maximum.

Shut-off impulse wrenches selection:

- Hard joint: torque levels up to 85% of the specified torque range
- Soft joint: torque levels up to 70% of the specified torque range

Non shut-off impulse wrenches selection:

- Hard joint: torque levels up to 95% of the specified torque range
- Soft joint: torque levels up to 85% of the specified torque range

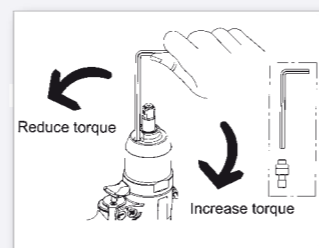
Accessories

The size and shape of impact sockets influence the torque result.
Extension bars, depending on the length, can lower the torque range with 5-30%
Inner torx and inner hexagon can lower the torque range with 5-20%

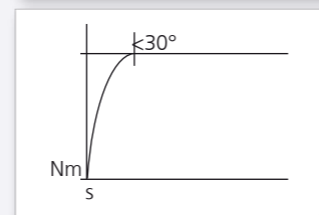
For the best result of the impulse wrench, use:

- Constant stabilized air pressure
- Sleeve drive sockets, impact quality (see pages 12-17)
- Impact quality accessories with the correct dimensions
- Accessories in good condition
- Correct hose inner diameter and length
- Lubricated air

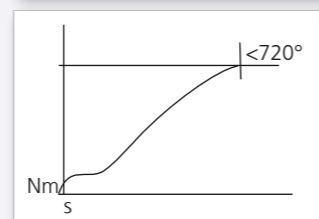
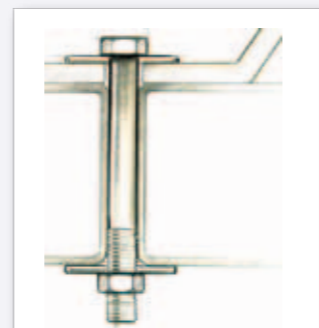
We advise to use the impulse wrench up to 80% of it's capacity for the highest productivity, accuracy and durability



Adjustment of torque level of the tool



Hard joint, typical example



Soft joint, typical example

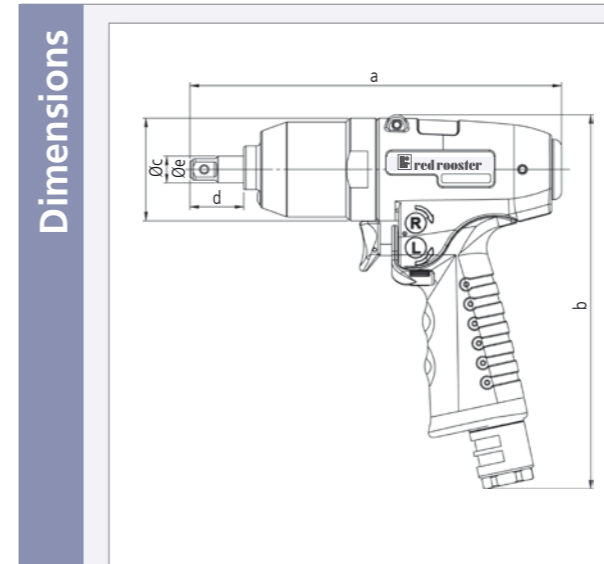


1/4" Hex Drive

| Type | Square / Hex drive | Bolt capacity mm | RPM | Torque Range Nm | Air consumpt. l/sec | Weight kg | Inlet-thread | Hose diameter mm | Noise-level dB(A) |
|----------|--------------------|------------------|-------|-----------------|---------------------|-----------|--------------|------------------|-------------------|
| RRI-30AT | 1/4" Hex | 6 | 4.600 | 6-12,5 | 3,7 | 0,89 | PT 1/4" | 6,5 | 78 |
| RRI-40AT | 1/4" Hex | 6-8 | 4.600 | 10-18 | 3,7 | 0,92 | PT 1/4" | 6,5 | 78 |
| RRI-50AT | 1/4" Hex | 8 | 7.200 | 16-26 | 5,3 | 0,92 | PT 1/4" | 6,5 | 80 |
| RRI-60AT | 1/4" Hex | 8 | 6.200 | 20-30 | 6,2 | 1,0 | PT 1/4" | 8 | 82 |
| RRI-70AT | 1/4" Hex | 10 | 7.200 | 32-47 | 7 | 1,35 | PT 1/4" | 8 | 82 |

3/8" - 1/2" - 3/4" Square Drive

| Type | Square / Hex drive | Bolt capacity mm | RPM | Torque Range Nm | Air consumpt. l/sec | Weight kg | Inlet-thread | Hose diameter mm | Noise-level dB(A) |
|----------|--------------------|------------------|-------|-----------------|---------------------|-----------|--------------|------------------|-------------------|
| RRI-30T | 3/8" Square | 6 | 4.600 | 7-12,5 | 3,7 | 0,89 | PT 1/4" | 6,5 | 78 |
| RRI-40T | 3/8" Square | 6-8 | 4.600 | 11-19 | 3,7 | 0,92 | PT 1/4" | 6,5 | 78 |
| RRI-50T | 3/8" Square | 8 | 7.200 | 16-27 | 5,3 | 0,92 | PT 1/4" | 6,5 | 80 |
| RRI-60T | 3/8" Square | 8-10 | 6.200 | 22-35 | 6,2 | 1,0 | PT 1/4" | 8 | 82 |
| RRI-70T | 3/8" Square | 10 | 7.200 | 37-57 | 7 | 1,35 | PT 1/4" | 8 | 82 |
| RRI-80T | 3/8" Square | 10-12 | 5.100 | 40-68 | 9,3 | 1,21 | PT 1/4" | 8 | 82 |
| RRI-90T | 1/2" Square | 12 | 5.400 | 64-90 | 8,3 | 1,55 | PT 1/4" | 8 | 83 |
| RRI-100T | 1/2" Square | 12-14 | 5.300 | 85-120 | 8,7 | 1,87 | PT 1/4" | 8 | 84 |
| RRI-130T | 1/2" Square | 14-16 | 3.600 | 123-148 | 11,6 | 2,26 | PT 1/4" | 11 | 86 |
| RRI-150T | 3/4" Square | 16 | 3.700 | 165-210 | 11,6 | 3,10 | PT 1/4" | 11 | 86 |
| RRI-180T | 3/4" Square | 16-18 | 2.700 | 180-255 | 12,2 | 3,8 | PT 1/4" | 11 | 86 |
| RRI-200T | 3/4" Square | 18-20 | 3.000 | 230-450 | 26 | 4,25 | PT 1/4" | 13 | 88 |



| Model | a mm | b mm | c mm | d mm | e mm |
|----------|------|------|-------|------|-------|
| RRI-30AT | 163 | 168 | ø46 | 21 | ø17,5 |
| RRI-40AT | 170 | 168 | ø46 | 27 | ø17,5 |
| RRI-50AT | 170 | 168 | ø46 | 27 | ø17,5 |
| RRI-60AT | 181 | 168 | ø46 | 27 | ø17,5 |
| RRI-70AT | 194 | 172 | ø53,5 | 28 | ø17,5 |
| RRI-30T | 163 | 168 | ø46 | 24 | ø12 |
| RRI-40T | 167 | 168 | ø46 | 24 | ø12 |
| RRI-50T | 167 | 168 | ø46 | 24 | ø12 |
| RRI-60T | 178 | 168 | ø46 | 24 | ø12 |
| RRI-70T | 194 | 172 | ø53,5 | 25 | ø12 |
| RRI-80T | 194 | 170 | ø53,5 | 25 | ø12 |
| RRI-90T | 200 | 192 | ø53,5 | 31 | ø16 |
| RRI-100T | 209 | 195 | ø59 | 32 | ø16 |
| RRI-130T | 216 | 204 | ø64 | 31 | ø16 |
| RRI-150T | 239 | 215 | ø72 | 40 | ø25 |
| RRI-180T | 263 | 232 | ø78 | 41 | ø25 |
| RRI-200T | 250 | 239 | ø80 | 41 | ø25 |

1/4" 3/8" Impulse Wrenches Shut-off Models

1/4" 3/8" 1/2" Impulse Wrenches Shut-off Models



| Type | Square / Hex drive | Bolt capacity mm | RPM | Torque Range Nm | Air consumpt. l/sec | Weight kg | Inlet-thread | Hose diameter mm | Noise-level dB(A) |
|-----------|--------------------|------------------|-------|-----------------|---------------------|-----------|--------------|------------------|-------------------|
| RRI-30STA | 1/4" Hex | 6 | 4.200 | 6-11,5 | 3,7 | 0,77 | PT 1/4" | 6,5 | 78 |
| RRI-40STA | 1/4" Hex | 6-8 | 4.200 | 10-17 | 3,7 | 0,8 | PT 1/4" | 6,5 | 78 |
| RRI-50STA | 1/4" Hex | 8 | 6.800 | 15-25 | 5,3 | 0,8 | PT 1/4" | 6,5 | 80 |
| RRI-60STA | 1/4" Hex | 8 | 6.000 | 20-30 | 6,2 | 0,86 | PT 1/4" | 8 | 80 |
| RRI-70STA | 1/4" Hex | 8-10 | 5.000 | 28-40 | 6,2 | 0,97 | PT 1/4" | 8 | 80 |



| Type | Square / Hex drive | Bolt capacity mm | RPM | Torque Range Nm | Air consumpt. l/sec | Weight kg | Inlet-thread | Hose diameter mm | Noise-level dB(A) |
|-----------|--------------------|------------------|-------|-----------------|---------------------|-----------|--------------|------------------|-------------------|
| RRI-50RTA | 1/4" Hex | 6-8 | 4.300 | 9,5-16 | 4,8 | 1,2 | PT 1/4" | 6,5 | 80 |
| RRI-60RTA | 1/4" Hex | 8 | 4.700 | 15-22 | 6,2 | 1,3 | PT 1/4" | 8 | 80 |
| RRI-70RTA | 1/4" Hex | 8 | 4.500 | 20-29 | 6,2 | 1,4 | PT 1/4" | 8 | 80 |

TiD-extra
Industrial Technologies d.o.o.



| Type | Square / Hex drive | Bolt capacity mm | RPM | Torque Range Nm | Air consumpt. l/sec | Weight kg | Inlet-thread | Hose diameter mm | Noise-level dB(A) |
|----------|--------------------|------------------|-------|-----------------|---------------------|-----------|--------------|------------------|-------------------|
| RRI-30ST | 3/8" Square | 6 | 4.200 | 7-12,5 | 3,7 | 0,8 | PT 1/4" | 6,5 | 78 |
| RRI-40ST | 3/8" Square | 6-8 | 4.200 | 11-19 | 3,7 | 0,8 | PT 1/4" | 6,5 | 78 |
| RRI-50ST | 3/8" Square | 8 | 6.800 | 16-27 | 5,3 | 0,8 | PT 1/4" | 6,5 | 80 |
| RRI-60ST | 3/8" Square | 8-10 | 6.000 | 22-35 | 6,2 | 0,86 | PT 1/4" | 8 | 80 |
| RRI-70ST | 3/8" Square | 10 | 5.000 | 31-47 | 6,2 | 0,97 | PT 1/4" | 8 | 80 |
| RRI-80ST | 3/8" Square | 10-12 | 6.100 | 40-68 | 9,3 | 1,15 | PT 1/4" | 8 | 82 |



| Type | Square / Hex drive | Bolt capacity mm | RPM | Torque Range Nm | Air consumpt. l/sec | Weight kg | Inlet-thread | Hose diameter mm | Noise-level dB(A) |
|-----------|--------------------|------------------|-------|-----------------|---------------------|-----------|--------------|------------------|-------------------|
| RRI-50RT | 3/8" Square | 6-8 | 4.300 | 10,5-17 | 4,8 | 1,2 | PT 1/4" | 6,5 | 80 |
| RRI-60RT | 3/8" Square | 8 | 4.700 | 16-24 | 6,2 | 1,3 | PT 1/4" | 8 | 80 |
| RRI-70RT | 3/8" Square | 8-10 | 4.500 | 22-31 | 6,2 | 1,4 | PT 1/4" | 8 | 80 |
| RRI-70RGT | 3/8" Square | 10 | 2.000 | 32-45 | 6,2 | 1,6 | PT 1/4" | 8 | 82 |
| RRI-70RHT | 1/2" Square | 10-12 | 2.200 | 46-60 | 6,2 | 1,6 | PT 1/4" | 8 | 82 |
| RRI-80RHT | 1/2" Square | 10-12 | 2.800 | 50-70 | 9,3 | 1,7 | PT 1/4" | 8 | 82 |

Dimensions

| Model | a mm | b mm | c mm | d mm |
|-----------|------|-------|------|-------|
| RRI-30STA | 219 | Ø46 | 21 | Ø17,5 |
| RRI-40STA | 224 | Ø46 | 27 | Ø17,5 |
| RRI-50STA | 224 | Ø46 | 27 | Ø17,5 |
| RRI-60STA | 225 | Ø46 | 27 | Ø17,5 |
| RRI-70STA | 244 | Ø48 | 27 | Ø17,5 |
| RRI-30ST | 219 | Ø46 | 24 | Ø12 |
| RRI-40ST | 221 | Ø46 | 24 | Ø12 |
| RRI-50ST | 221 | Ø46 | 24 | Ø12 |
| RRI-60ST | 231 | Ø46 | 24 | Ø12 |
| RRI-70ST | 244 | Ø48 | 25 | Ø12 |
| RRI-80ST | 244 | Ø53,5 | 25 | Ø12 |

Dimensions

| Model | a mm | b mm | c mm | d mm | e mm |
|-----------|------|------|------|------|------|
| RRI-50RTA | 253 | 45 | 16 | 16 | Ø11 |
| RRI-60RTA | 264 | 45 | 16 | 16 | Ø11 |
| RRI-70RTA | 272 | 45 | 16 | 16 | Ø11 |
| RRI-50RT | 253 | 45 | 14 | 16 | Ø12 |
| RRI-60RT | 264 | 45 | 14 | 16 | Ø12 |
| RRI-70RT | 272 | 45 | 14 | 16 | Ø12 |
| RRI-70RGT | 281 | 47 | 14 | 21 | Ø16 |
| RRI-70RHT | 281 | 47 | 21 | 21 | Ø16 |
| RRI-80RHT | 281 | 47 | 21 | 21 | Ø16 |

Quality tools



1/4" 3/8"
1/2" 3/4"

Impulse Wrenches Non Shut-off Models

One Hand - Flexible Tools

The secret of impulse wrenches: no reaction forces!
This enables you to use one hand for the tool and one hand for your product.

ISO-9001 certificated

The high level fastening quality required for critical areas is achieved with the advanced measuring capability and controlling performance based on ISO-9001 to offer you the highest quality

Action Sleeve Drive Power sockets

Reduced Vibration!

Action sleeve drive impact sockets are supported with an O-ring on the axle of the impulse wrench, giving a tighter fit on the tool.

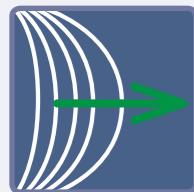


Less vibration, less noise, less wear and better torque tolerance

Sleeve drive sockets guarantee:

- Torque improvement
- Reduced vibration
- Reduced noise level
- Reduced wear
- Reduced maintenance costs

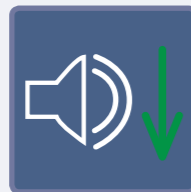
Red Rooster Tools means Quality Tools



Low reaction forces



Low maintenance costs



Low noise



Low vibration

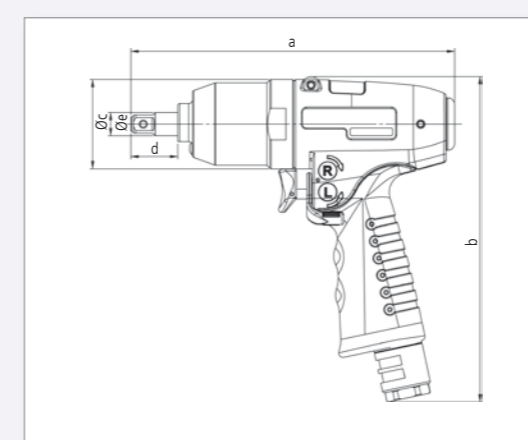
1/4" Hex Drive

| Type | Square / Hex drive | Bolt capacity mm | RPM | Torque Range Nm | Air consumpt. l/sec | Weight kg | Inlet-thread | Hose diameter mm | Noise-level dB(A) |
|---------|--------------------|------------------|-------|-----------------|---------------------|-----------|--------------|------------------|-------------------|
| RRI-30A | 1/4" Hex | 6 | 4.600 | 6-12,5 | 3,7 | 0,87 | PT 1/4" | 6,5 | 78 |
| RRI-40A | 1/4" Hex | 6-8 | 4.600 | 10-18 | 3,7 | 0,9 | PT 1/4" | 6,5 | 78 |
| RRI-50A | 1/4" Hex | 8 | 7.200 | 16-26 | 5,3 | 0,9 | PT 1/4" | 6,5 | 80 |
| RRI-60A | 1/4" Hex | 8 | 6.200 | 20-30 | 6,2 | 0,97 | PT 1/4" | 8 | 82 |
| RRI-70A | 1/4" Hex | 10 | 7.200 | 32-47 | 7 | 1,33 | PT 1/4" | 8 | 82 |

3/8" + 1/2" + 3/4" Square Drive

| Type | Square / Hex drive | Bolt capacity mm | RPM | Torque Range Nm | Air consumpt. l/sec | Weight kg | Inlet-thread | Hose diameter mm | Noise-level dB(A) |
|---------|--------------------|------------------|-------|-----------------|---------------------|-----------|--------------|------------------|-------------------|
| RRI-30 | 3/8" Square | 6 | 4.600 | 7-12,5 | 3,7 | 0,87 | PT 1/4" | 6,5 | 78 |
| RRI-40 | 3/8" Square | 6-8 | 4.600 | 11-19 | 3,7 | 0,9 | PT 1/4" | 6,5 | 78 |
| RRI-50 | 3/8" Square | 8 | 7.200 | 16-27 | 5,3 | 0,9 | PT 1/4" | 6,5 | 80 |
| RRI-60 | 3/8" Square | 8-10 | 6.200 | 22-35 | 6,2 | 0,97 | PT 1/4" | 8 | 82 |
| RRI-70 | 3/8" Square | 10 | 7.200 | 37-57 | 7 | 1,33 | PT 1/4" | 8 | 82 |
| RRI-80 | 3/8" Square | 10-12 | 5.100 | 40-70 | 9,3 | 1,19 | PT 1/4" | 8 | 82 |
| RRI-90 | 1/2" Square | 12 | 5.400 | 64-90 | 8,3 | 1,53 | PT 1/4" | 8 | 83 |
| RRI-100 | 1/2" Square | 12-14 | 5.300 | 85-120 | 8,7 | 1,85 | PT 1/4" | 8 | 84 |
| RRI-130 | 1/2" Square | 14-16 | 3.600 | 123-148 | 11,6 | 2,22 | PT 1/4" | 11 | 86 |
| RRI-150 | 3/4" Square | 16 | 3.700 | 165-210 | 11,6 | 3,05 | PT 1/4" | 11 | 86 |
| RRI-180 | 3/4" Square | 16-18 | 2.700 | 180-255 | 12,2 | 3,8 | PT 1/4" | 11 | 86 |
| RRI-200 | 3/4" Square | 18-20 | 3.000 | 230-450 | 26 | 4,25 | PT 1/4" | 13 | 88 |

Dimensions



| Model | a mm | b mm | c mm | d mm | e mm |
|------------|------|------|-------|------|------|
| RRI-30/30A | 167 | 168 | Ø46 | 24 | Ø12 |
| RRI-40/40A | 167 | 168 | Ø46 | 24 | Ø12 |
| RRI-50/50A | 167 | 168 | Ø46 | 24 | Ø12 |
| RRI-60/60A | 178 | 168 | Ø46 | 24 | Ø12 |
| RRI-70/70A | 194 | 192 | Ø53,5 | 25 | Ø12 |
| RRI-80 | 194 | 170 | Ø53,5 | 25 | Ø12 |
| RRI-90 | 200 | 192 | Ø53,5 | 31 | Ø16 |
| RRI-100 | 209 | 195 | Ø59 | 32 | Ø16 |
| RRI-130 | 216 | 204 | Ø64 | 31 | Ø16 |
| RRI-150 | 239 | 215 | Ø72 | 40 | Ø25 |
| RRI-180 | 263 | 232 | Ø78 | 41 | Ø25 |
| RRI-200 | 250 | 239 | Ø80 | 41 | Ø25 |



1/4" 3/8" Impulse Wrenches Non Shut-off Models

1/4" 3/8" 1/2" Impulse Wrenches Non Shut-off Models



| Type | Square / Hex drive | Bolt capacity mm | RPM | Torque Range Nm | Air consumpt. l/sec | Weight kg | Inlet-thread | Hose diameter mm | Noise-level dB(A) |
|----------|--------------------|------------------|-------|-----------------|---------------------|-----------|--------------|------------------|-------------------|
| RRI-30SA | 1/4" Hex | 6 | 4.200 | 6-11,5 | 3,7 | 0,77 | PT 1/4" | 6,5 | 78 |
| RRI-40SA | 1/4" Hex | 6-8 | 4.200 | 10-17 | 3,7 | 0,8 | PT 1/4" | 6,5 | 78 |
| RRI-50SA | 1/4" Hex | 8 | 6.800 | 15-25 | 5,3 | 0,8 | PT 1/4" | 6,5 | 80 |
| RRI-60SA | 1/4" Hex | 8 | 6.000 | 20-30 | 6,2 | 0,86 | PT 1/4" | 8 | 80 |
| RRI-70SA | 1/4" Hex | 8-10 | 5.000 | 28-40 | 6,2 | 0,97 | PT 1/4" | 8 | 80 |



| Type | Square / Hex drive | Bolt capacity mm | RPM | Torque Range Nm | Air consumpt. l/sec | Weight kg | Inlet-thread | Hose diameter mm | Noise-level dB(A) |
|----------|--------------------|------------------|-------|-----------------|---------------------|-----------|--------------|------------------|-------------------|
| RRI-50RA | 1/4" Hex | 6-8 | 4.300 | 9,5-16 | 4,8 | 1,2 | PT 1/4" | 6,5 | 80 |
| RRI-60RA | 1/4" Hex | 8 | 4.700 | 15-22 | 6,2 | 1,3 | PT 1/4" | 8 | 80 |
| RRI-70RA | 1/4" Hex | 8 | 4.500 | 20-29 | 6,2 | 1,4 | PT 1/4" | 8 | 80 |

TiD-extra
Industrial Technologies d.o.o.



| Type | Square / Hex drive | Bolt capacity mm | RPM | Torque Range Nm | Air consumpt. l/sec | Weight kg | Inlet-thread | Hose diameter mm | Noise-level dB(A) |
|---------|--------------------|------------------|-------|-----------------|---------------------|-----------|--------------|------------------|-------------------|
| RRI-30S | 3/8" Square | 6 | 4.200 | 7-12,5 | 3,7 | 0,8 | PT 1/4" | 6,5 | 78 |
| RRI-40S | 3/8" Square | 6-8 | 4.200 | 11-19 | 3,7 | 0,8 | PT 1/4" | 6,5 | 78 |
| RRI-50S | 3/8" Square | 8 | 6.800 | 16-27 | 5,3 | 0,8 | PT 1/4" | 6,5 | 80 |
| RRI-60S | 3/8" Square | 8-10 | 6.000 | 22-35 | 6,2 | 0,86 | PT 1/4" | 8 | 80 |
| RRI-70S | 3/8" Square | 10 | 5.000 | 31-47 | 6,2 | 0,97 | PT 1/4" | 8 | 80 |



| Type | Square / Hex drive | Bolt capacity mm | RPM | Torque Range Nm | Air consumpt. l/sec | Weight kg | Inlet-thread | Hose diameter mm | Noise-level dB(A) |
|----------|--------------------|------------------|-------|-----------------|---------------------|-----------|--------------|------------------|-------------------|
| RRI-50R | 3/8" Square | 6-8 | 4.300 | 10,5-17 | 4,8 | 1,2 | PT 1/4" | 6,5 | 80 |
| RRI-60R | 3/8" Square | 8 | 4.700 | 16-24 | 6,2 | 1,3 | PT 1/4" | 8 | 80 |
| RRI-70R | 3/8" Square | 8-10 | 4.500 | 22-31 | 6,2 | 1,4 | PT 1/4" | 8 | 80 |
| RRI-70RG | 3/8" Square | 10 | 2.000 | 34-50 | 6,2 | 1,6 | PT 1/4" | 8 | 82 |
| RRI-70RH | 1/2" Square | 8-12 | 2.200 | 46-60 | 6,2 | 1,6 | PT 1/4" | 8 | 82 |

Dimensions

| Model | a mm | b mm | c mm | d mm |
|----------|------|------|------|-------|
| RRI-30SA | 219 | Ø46 | 21 | Ø17,5 |
| RRI-40SA | 224 | Ø46 | 27 | Ø17,5 |
| RRI-50SA | 224 | Ø46 | 27 | Ø17,5 |
| RRI-60SA | 235 | Ø46 | 27 | Ø17,5 |
| RRI-70SA | 244 | Ø48 | 27 | Ø17,5 |
| RRI-30S | 219 | Ø46 | 24 | Ø12 |
| RRI-40S | 221 | Ø46 | 24 | Ø12 |
| RRI-50S | 221 | Ø46 | 24 | Ø12 |
| RRI-60S | 221 | Ø46 | 24 | Ø12 |
| RRI-70S | 244 | Ø48 | 25 | Ø12 |

Dimensions

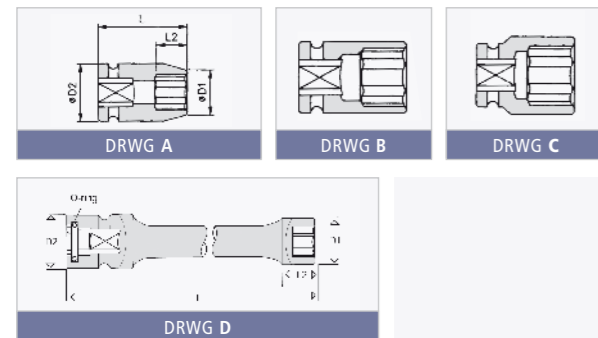
| Model | a mm | b mm | c mm | d mm | e mm |
|----------|------|------|------|------|------|
| RRI-50RA | 253 | 45 | 16 | 16 | Ø11 |
| RRI-60RA | 264 | 45 | 16 | 16 | Ø11 |
| RRI-70RA | 272 | 45 | 16 | 16 | Ø11 |
| RRI-50R | 253 | 45 | 14 | 16 | Ø12 |
| RRI-60R | 264 | 45 | 14 | 16 | Ø12 |
| RRI-70R | 272 | 45 | 14 | 16 | Ø12 |
| RRI-70RG | 281 | 47 | 14 | 21 | Ø16 |
| RRI-70RH | 281 | 47 | 21 | 21 | Ø16 |

Sleeve drive sockets

3/8" Drive

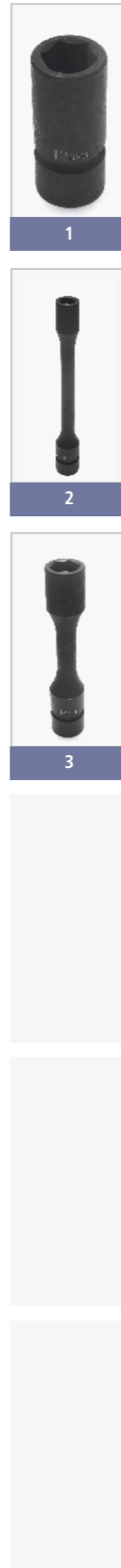
| SIZE | | | | | | |
|-----------------|--------|------|-------|-------|------|-------|
| 6-Point normal | | | | | | 1 |
| Type | A/F mm | DRWG | D1 mm | D2 mm | L mm | L2 mm |
| Metrical | | | | | | |
| DO60910006 | 6 | A | 11 | 19 | 43 | 5 |
| DO60910007 | 7 | A | 12 | 19 | 43 | 5 |
| DO60910008 | 8 | A | 13 | 19 | 43 | 7 |
| DO60910009 | 9 | A | 15 | 19 | 43 | 7 |
| DO60910010 | 10 | A | 16 | 19 | 43 | 8 |
| DO60910011 | 11 | A | 17,5 | 19 | 43 | 9 |
| DO60910012 | 12 | B | 19 | 19 | 43 | 9 |
| DO60910013 | 13 | A | 20 | 22 | 43 | 9 |
| DO60910014 | 14 | A | 21 | 22 | 43 | 9 |
| DO60910015 | 15 | B | 22 | 22 | 43 | 11 |
| DO60910016 | 16 | C | 24 | 22 | 43 | 11 |
| DO60910017 | 17 | C | 25 | 22 | 43 | 11 |
| DO60910018 | 18 | C | 26 | 22 | 43 | 11 |
| DO60910019 | 19 | C | 27,5 | 22 | 43 | 11 |
| DO60910021 | 21 | C | 30 | 22 | 43 | 13 |

| SIZE | | | | | | |
|-------------------------|--------|------|-------|-------|------|-------|
| 6-Point normal magnetic | | | | | | 1 |
| Type | A/F mm | DRWG | D1 mm | D2 mm | L mm | L2 mm |
| Metrical | | | | | | |
| DO6091A006 | 6 | A | 11 | 19 | 43 | 5 |
| DO6091A007 | 7 | A | 12 | 19 | 43 | 5 |
| DO6091A008 | 8 | A | 13 | 19 | 43 | 7 |
| DO6091A009 | 9 | A | 15 | 19 | 43 | 7 |
| DO6091A010 | 10 | A | 16 | 19 | 43 | 8 |
| DO6091A011 | 11 | A | 17,5 | 19 | 43 | 9 |
| DO6091A012 | 12 | B | 18,5 | 19 | 43 | 9 |
| DO6091A013 | 13 | A | 20 | 22 | 43 | 9 |
| DO6091A014 | 14 | A | 21 | 22 | 43 | 9 |
| DO6091A015 | 15 | B | 22 | 22 | 43 | 11 |
| DO6091A016 | 16 | C | 24 | 22 | 43 | 11 |
| DO6091A017 | 17 | C | 25 | 22 | 43 | 11 |
| DO6091A018 | 18 | C | 26 | 22 | 43 | 11 |
| DO6091A019 | 19 | C | 27 | 22 | 43 | 11 |
| DO6091A020 | 20 | C | 28 | 22 | 43 | 13 |
| DO6091A021 | 21 | C | 30 | 22 | 43 | 13 |
| DO6091A022 | 22 | C | 31 | 22 | 50 | 13 |
| DO6091A023 | 23 | C | 32 | 22 | 50 | 13 |
| DO6091A024 | 24 | C | 34 | 22 | 50 | 13 |
| DO6091A025 | 25 | C | 35 | 22 | 50 | 13 |
| DO6091A026 | 26 | C | 36 | 22 | 50 | 13 |
| DO6091A027 | 27 | C | 38 | 22 | 50 | 13 |



| SIZE | | | | | | |
|-----------------|--------|------|-------|-------|------|-------|
| 6-Point long | | | | | | 2 |
| Type | A/F mm | DRWG | D1 mm | D2 mm | L mm | L2 mm |
| Metrical | | | | | | |
| DO60913006 | 6 | D | 10,5 | 22 | 100 | 4 |
| DO60913008 | 8 | D | 12,5 | 22 | 100 | 8 |
| DO60913010 | 10 | D | 15 | 22 | 100 | 8 |
| DO60913012 | 12 | D | 18 | 22 | 100 | 9 |
| DO60913013 | 13 | D | 19 | 22 | 100 | 9 |
| DO60913014 | 14 | D | 20 | 22 | 100 | 9 |
| DO60913015 | 15 | D | 21 | 22 | 100 | 11 |
| DO60913016 | 16 | D | 22,5 | 22 | 100 | 11 |
| DO60913017 | 17 | D | 24 | 22 | 100 | 11 |
| DO60914006 | 6 | D | 10,5 | 22 | 150 | 4 |
| DO60914008 | 8 | D | 12,5 | 22 | 150 | 8 |
| DO60914010 | 10 | D | 15 | 22 | 150 | 8 |
| DO60914012 | 12 | D | 18 | 22 | 150 | 9 |
| DO60914013 | 13 | D | 19 | 22 | 150 | 9 |
| DO60914014 | 14 | D | 20 | 22 | 150 | 9 |
| DO60914015 | 15 | D | 21 | 22 | 150 | 11 |
| DO60914016 | 16 | D | 22,5 | 22 | 150 | 11 |
| DO60914017 | 17 | D | 24 | 22 | 150 | 11 |
| DO60915006 | 6 | D | 10,5 | 22 | 200 | 4 |
| DO60915008 | 8 | D | 12,5 | 22 | 200 | 8 |
| DO60915010 | 10 | D | 15 | 22 | 200 | 8 |
| DO60915012 | 12 | D | 18 | 22 | 200 | 9 |
| DO60915013 | 13 | D | 19 | 22 | 200 | 9 |
| DO60915014 | 14 | D | 20 | 22 | 200 | 9 |
| DO60915015 | 15 | D | 21 | 22 | 200 | 11 |
| DO60915016 | 16 | D | 22,5 | 22 | 200 | 11 |
| DO60915017 | 17 | D | 24 | 22 | 200 | 11 |

| SIZE | | | | | | |
|-----------------------|--------|------|-------|-------|------|-------|
| 6-Point long magnetic | | | | | | 3 |
| Type | A/F mm | DRWG | D1 mm | D2 mm | L mm | L2 mm |
| Metrical | | | | | | |
| DO6091P006 | 6 | D | 11 | 19 | 100 | 3 |
| DO6091P007 | 7 | D | 12 | 19 | 100 | 3 |
| DO6091P008 | 8 | D | 13 | 19 | 100 | 4 |
| DO6091P009 | 9 | D | 15 | 19 | 100 | 4 |
| DO6091P010 | 10 | D | 16 | 19 | 100 | 4 |
| DO6091P011 | 11 | D | 17,5 | 19 | 100 | 5 |
| DO6091P012 | 12 | D | 18,5 | 19 | 100 | 5 |
| DO6091P013 | 13 | D | 20 | 22 | 100 | 6 |
| DO6091P014 | 14 | D | 21 | 22 | 100 | 6 |
| DO6091P015 | 15 | D | 22 | 22 | 100 | 7 |
| DO6091P016 | 16 | D | 24 | 22 | 100 | 7 |
| DO6091P017 | 17 | D | 25 | 22 | 100 | 7 |
| DO6091R006 | 6 | D | 11 | 19 | 150 | 3 |
| DO6091R007 | 7 | D | 12 | 19 | 150 | 3 |
| DO6091R008 | 8 | D | 13 | 19 | 150 | 4 |
| DO6091R009 | 9 | D | 15 | 19 | 150 | 4 |
| DO6091R010 | 10 | D | 16 | 19 | 150 | 4 |
| DO6091R011 | 11 | D | 17,5 | 19 | 150 | 5 |
| DO6091R012 | 12 | D | 18,5 | 19 | 150 | 5 |
| DO6091R013 | 13 | D | 20 | 22 | 150 | 6 |
| DO6091R014 | 14 | D | 21 | 22 | 150 | 6 |



Sleeve drive sockets

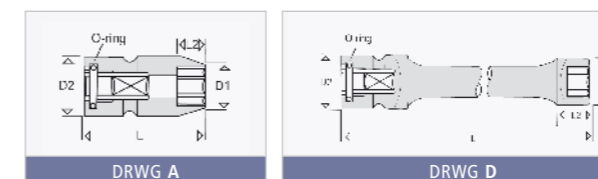
3/8" Drive

| SIZE | | | | | | |
|-----------------------------------|--------|------|-------|-------|------|-------|
| 6-Point long magnetic (continued) | | | | | | 1 |
| Type | A/F mm | DRWG | D1 mm | D2 mm | L mm | L2 mm |
| Metrical | | | | | | |
| DO6091R015 | 15 | D | 22 | 22 | 150 | 7 |
| DO6091R016 | 16 | D | 24 | 22 | 150 | 7 |
| DO6091R017 | 17 | D | 25 | 22 | 150 | 7 |
| DO6091T007 | 7 | D | 12 | 19 | 200 | 3 |
| DO6091T008 | 8 | D | 13 | 19 | 200 | 4 |
| DO6091T009 | 9 | D | 15 | 19 | 200 | 4 |
| DO6091T010 | 10 | D | 16 | 19 | 200 | 4 |
| DO6091T011 | 11 | D | 17,5 | 19 | 200 | 5 |
| DO6091T012 | 12 | D | 18,5 | 19 | 200 | 5 |
| DO6091T013 | 13 | D | 20 | 22 | 200 | 6 |
| DO6091T014 | 14 | D | 21 | 22 | 200 | 6 |
| DO6091T015 | 15 | D | 22 | 22 | 200 | 7 |
| DO6091T016 | 16 | D | 24 | 22 | 200 | 7 |
| DO6091T017 | 17 | D | 25 | 22 | 200 | 7 |

| SIZE | | | | | | |
|-----------------------|--------|------|-------|-------|------|-------|
| 6-Point deep magnetic | | | | | | 2 |
| Type | A/F mm | DRWG | D1 mm | D2 mm | L mm | L2 mm |
| Metrical | | | | | | |
| DO6091Q010 | 10 | A | 16,0 | 19 | 100 | 5 |
| DO6091Q012 | 12 | A | 18,5 | 19 | 100 | 6 |
| DO6091Q013 | 13 | A | 20,0 | 22 | 100 | 6 |
| DO6091Q014 | 14 | A | 21,0 | 22 | 100 | 6 |
| DO6091Q016 | 16 | A | 24,0 | 22 | 100 | 7 |

| SIZE | | | | | | |
|--------------|-----|------|-------|-------|------|---|
| Torx® intern | | | | | | 3 |
| Type | A/F | DRWG | L1 mm | D2 mm | L mm | - |
| DO68811009 | T9 | F | 2,0 | 22 | 75 | - |
| DO68811010 | T10 | F | 2,8 | 22 | 75 | - |
| DO68811015 | T15 | F | 2,8 | 22 | 75 | - |
| DO68811020 | T20 | F | 2,8 | 22 | 75 | - |
| DO68811025 | T25 | F | 3,0 | 22 | 75 | - |
| DO68811027 | T27 | F | 3,0 | 22 | 75 | - |
| DO68811030 | T30 | F | 3,8 | 22 | 75 | - |
| DO68811040 | T40 | F | 3,8 | 22 | 75 | - |
| DO68811045 | T45 | F | 4,3 | 22 | 75 | - |
| DO68811047 | T47 | F | 5,0 | 22 | 75 | - |
| DO68811050 | T50 | F | 5,0 | 22 | 75 | - |
| DO68811055 | T55 | F | 5,0 | 22 | 75 | - |

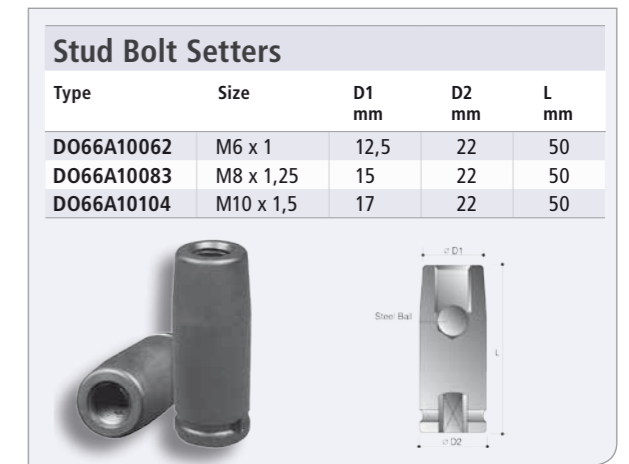
Torx® is a trademark of Textron.



| SIZE | | | | | | |
|--------------|-----|------|-------|-------|------|-------|
| Torx® extern | | | | | | 4 |
| Type | A/F | DRWG | D1 mm | D2 mm | L mm | L2 mm |
| DO66910005 | E5 | A | 8 | 19 | 43 | 4,5 |
| DO66910006 | E6 | A | 9 | 19 | 43 | 5 |
| DO66910007 | E7 | A | 9,5 | 19 | 43 | 6 |
| DO66910008 | E8 | A | 11 | 19 | 43 | 6,5 |
| DO66910010 | E10 | A | 13 | 19 | 43 | 7,5 |
| DO66910011 | E11 | A | 14 | 19 | 43 | 8 |
| DO66910012 | E12 | A | 15,5 | 19 | 43 | 8,5 |
| DO66910014 | E14 | A | 17,5 | 22 | 43 | 10 |
| DO66910016 | E16 | A | 18,5 | 22 | 43 | 11 |

Torx® is a trademark of Textron.

| SIZE | | | | | | |
|--------------------|--------|------|-------|-------|------|---|
| Hex Driver (Inbus) | | | | | | 5 |
| Type | A/F mm | DRWG | L1 mm | D2 mm | L mm | - |
| Metrical | | | | | | |
| DO68916003 | 3 | F | 11 | 22 | 75 | - |
| DO68916004 | 4 | F | 11 | 22 | 75 | - |
| DO68916005 | 5 | F | 11 | 22 | 75 | - |
| DO68916006 | 6 | F | 11 | 22 | 75 | - |
| DO68916007 | 7 | F | 16 | 22 | 75 | - |
| DO68916008 | 8 | F | 16 | 22 | 75 | - |
| DO68916009 | 9 | F | 16 | 22 | 75 | - |
| DO68916010 | 10 | F | 16 | 22 | 75 | - |
| DO68916011 | 11 | F | 16 | 22 | 75 | - |
| DO68916012 | 12 | F | 16 | 22 | 75 | - |
| DO68916013 | 13 | F | 16 | 22 | 75 | - |
| DO68916014 | 14 | F | 16 | 22 | 75 | - |
| DO68916015 | 15 | F | 16 | 22 | 75 | - |
| DO68916016 | 16 | F | 16 | 22 | 75 | - |



Sleeve drive sockets

1/2" Drive

| SIZE | | | | | | |
|-----------------|--------|------|-------|-------|------|-------|
| 6-Point normal | | | | | | 1 |
| Type | A/F mm | DRWG | D1 mm | D2 mm | L mm | L2 mm |
| Metrical | | | | | | |
| DO60920012 | 12 | A | 20 | 25 | 52 | 12 |
| DO60920013 | 13 | A | 21 | 25 | 52 | 12 |
| DO60920014 | 14 | A | 22,5 | 25 | 52 | 12 |
| DO60920015 | 15 | A | 23,7 | 30 | 52 | 12 |
| DO60920016 | 16 | A | 25 | 30 | 52 | 12 |
| DO60920017 | 17 | A | 26 | 30 | 52 | 12 |
| DO60920018 | 18 | A | 27,5 | 30 | 52 | 12 |
| DO60920019 | 19 | A | 28,7 | 30 | 52 | 12 |
| DO60920021 | 21 | B | 30 | 30 | 52 | 12 |
| DO60920022 | 22 | C | 32 | 30 | 52 | 12 |
| DO60920023 | 23 | C | 32 | 30 | 52 | 12 |
| DO60920024 | 24 | C | 35 | 30 | 52 | 12 |
| DO60920025 | 25 | C | 36 | 30 | 57 | 12 |
| DO60920027 | 27 | C | 39 | 30 | 57 | 12 |
| DO60920030 | 30 | C | 42 | 30 | 62 | 12 |
| DO60920032 | 32 | C | 44 | 30 | 62 | 12 |

| SIZE | | | | | | |
|-----------------|--------|------|-------|-------|------|-------|
| 6-Point long | | | | | | 2 |
| Type | A/F mm | DRWG | D1 mm | D2 mm | L mm | L2 mm |
| Metrical | | | | | | |
| DO60923010 | 10 | D | 17 | 25 | 100 | 12 |
| DO60923012 | 12 | D | 19,5 | 25 | 100 | 12 |
| DO60923013 | 13 | D | 20,5 | 25 | 100 | 12 |
| DO60923014 | 14 | D | 21,5 | 25 | 100 | 12 |
| DO60923015 | 15 | D | 22,5 | 25 | 100 | 12 |
| DO60923017 | 17 | D | 25 | 25 | 100 | 13 |
| DO60923019 | 19 | D | 28 | 25 | 100 | 13 |
| Imperial | | | | | | |
| DO60924010 | 10 | D | 17 | 25 | 150 | 12 |
| DO60924012 | 12 | D | 19,5 | 25 | 150 | 12 |
| DO60924013 | 13 | D | 20,5 | 25 | 150 | 12 |
| DO60924014 | 14 | D | 21,5 | 25 | 150 | 12 |
| DO60924015 | 15 | D | 22,5 | 25 | 150 | 12 |
| DO60924017 | 17 | D | 25 | 25 | 150 | 13 |
| DO60924019 | 19 | D | 28 | 25 | 150 | 13 |
| Imperial | | | | | | |
| DO60925010 | 10 | D | 17 | 25 | 200 | 12 |
| DO60925012 | 12 | D | 19,5 | 25 | 200 | 12 |
| DO60925013 | 13 | D | 20,5 | 25 | 200 | 12 |
| DO60925014 | 14 | D | 21,5 | 25 | 200 | 12 |
| DO60925015 | 15 | D | 22,5 | 25 | 200 | 12 |
| DO60925017 | 17 | D | 25 | 25 | 200 | 13 |
| DO60925019 | 19 | D | 28 | 25 | 200 | 13 |

| SIZE | | | | | | | |
|-----------------------|--------|------|-------|-------|------|-------|---|
| 6-Point long magnetic | | | | | | | 3 |
| Type | A/F mm | DRWG | D1 mm | D2 mm | L mm | L2 mm | |
| Metrical | | | | | | | |
| DO6092P010 | 10 | D | 17,5 | 25 | 100 | 4 | |
| DO6092P011 | 11 | D | 18,5 | 25 | 100 | 5 | |
| DO6092P012 | 12 | D | 20 | 25 | 100 | 5 | |
| DO6092P013 | 13 | D | 21 | 25 | 100 | 6 | |
| DO6092P014 | 14 | D | 22,5 | 25 | 100 | 6 | |
| DO6092P015 | 15 | D | 23,5 | 30 | 100 | 7 | |
| DO6092P016 | 16 | D | 25 | 30 | 100 | 7 | |
| DO6092P017 | 17 | D | 26 | 30 | 100 | 7 | |
| DO6092P018 | 18 | D | 27,5 | 30 | 100 | 8 | |
| DO6092P019 | 19 | D | 28,5 | 30 | 100 | 8 | |
| Imperial | | | | | | | |
| DO6092R010 | 10 | D | 17,5 | 25 | 150 | 12 | |
| DO6092R011 | 11 | D | 18,5 | 25 | 150 | 12 | |
| DO6092R012 | 12 | D | 20 | 25 | 150 | 12 | |
| DO6092R013 | 13 | D | 21 | 25 | 150 | 12 | |
| DO6092R014 | 14 | D | 22,5 | 25 | 150 | 12 | |
| DO6092R015 | 15 | D | 23,5 | 30 | 150 | 12 | |
| DO6092R016 | 16 | D | 25 | 30 | 150 | 13 | |
| DO6092R017 | 17 | D | 26 | 30 | 150 | 13 | |
| DO6092R018 | 18 | D | 27,5 | 30 | 150 | 13 | |
| DO6092R019 | 19 | D | 28,5 | 30 | 150 | 13 | |
| Imperial | | | | | | | |
| DO6092T010 | 10 | D | 17,5 | 25 | 200 | 12 | |
| DO6092T011 | 11 | D | 18,5 | 25 | 200 | 12 | |
| DO6092T012 | 12 | D | 20 | 25 | 200 | 12 | |
| DO6092T013 | 13 | D | 21 | 25 | 200 | 12 | |
| DO6092T014 | 14 | D | 22,5 | 25 | 200 | 12 | |
| DO6092T015 | 15 | D | 23,5 | 30 | 200 | 12 | |
| DO6092T016 | 16 | D | 25 | 30 | 200 | 13 | |
| DO6092T017 | 17 | D | 26 | 30 | 200 | 13 | |
| DO6092T018 | 18 | D | 27,5 | 30 | 200 | 13 | |
| DO6092T019 | 19 | D | 28,5 | 30 | 200 | 13 | |



Sleeve drive sockets

1/2" Drive

| SIZE | | | | | | |
|-------------------------|--------|------|-------|-------|------|-------|
| 6-Point normal magnetic | | | | | | 1 |
| Type | A/F mm | DRWG | D1 mm | D2 mm | L mm | L2 mm |
| Metrical | | | | | | |
| DO6092A006 | 6 | A | 13 | 25 | 52 | 5 |
| DO6092A007 | 7 | A | 14 | 25 | 52 | 5 |
| DO6092A008 | 8 | A | 15 | 25 | 52 | 7 |
| DO6092A009 | 9 | A | 16 | 25 | 52 | 7 |
| DO6092A010 | 10 | A | 17,5 | 25 | 52 | 8 |
| DO6092A011 | 11 | A | 18,5 | 25 | 52 | 9 |
| DO6092A012 | 12 | A | 20 | 25 | 52 | 12 |
| DO6092A013 | 13 | A | 21 | 25 | 52 | 12 |
| DO6092A014 | 14 | A | 22,5 | 25 | 52 | 12 |
| DO6092A015 | 15 | A | 23,5 | 30 | 52 | 12 |
| DO6092A016 | 16 | A | 25 | 30 | 52 | 12 |
| DO6092A017 | 17 | A | 26 | 30 | 52 | 12 |
| DO6092A018 | 18 | A | 27,5 | 30 | 52 | 12 |
| DO6092A019 | 19 | A | 28,5 | 30 | 52 | 12 |
| DO6092A020 | 20 | B | 30 | 30 | 52 | 12 |
| DO6092A021 | 21 | C | 31 | 30 | 52 | 12 |
| DO6092A022 | 22 | C | 32 | 30 | 52 | 12 |
| DO6092A023 | 23 | C | 34 | 30 | 52 | 12 |
| DO6092A024 | 24 | C | 35 | 30 | 52 | 12 |
| DO6092A025 | 25 | C | 36 | 30 | 57 | 12 |
| DO6092A026 | 26 | C | 38 | 30 | 57 | 12 |
| DO6092A027 | 27 | C | 38,5 | 30 | 57 | 12 |

| SIZE | | | | | | |
|-----------------------|--------|------|-------|-------|------|-------|
| 6-Point deep magnetic | | | | | | 2 |
| Type | A/F mm | DRWG | D1 mm | D2 mm | L mm | L1 mm |
| Metrical | | | | | | |
| DO6092Q010 | 10 | A | 17,5 | 25 | 100 | 5 |
| DO6092Q013 | 13 | A | 21,0 | 25 | 100 | 6 |
| DO6092Q016 | 16 | A | 25,0 | 30 | 100 | 7 |
| DO6092Q017 | 17 | A | 26,0 | 30 | 100 | 7 |
| DO6092Q019 | 19 | A | 28,5 | 30 | 100 | 8 |

| SIZE | | | | | | |
|----------------|-----|------|-------|-------|------|-------|
| Torx® external | | | | | | 3 |
| Type | A/F | DRWG | D1 mm | D2 mm | L mm | L2 mm |
| DO66920010 | E10 | A | 14 | 25 | 52 | 7,5 |
| DO66920011 | E11 | A | 15 | 25 | 52 | 8 |
| DO66920012 | E12 | A | 16 | 25 | 52 | 8,5 |
| DO66920014 | E14 | A | 18 | 25 | 52 | 10 |
| DO66920016 | E16 | A | 20 | 25 | 52 | 11 |
| DO66920018 | E18 | A | 22 | 25 | 52 | 12,5 |
| DO66920020 | E20 | A | 25 | 30 | 52 | 14 |
| DO66920022 | E22 | A | 27 | 30 | 52 | 15 |
| DO66920024 | E24 | A | 29 | 30 | 52 | 16,5 |

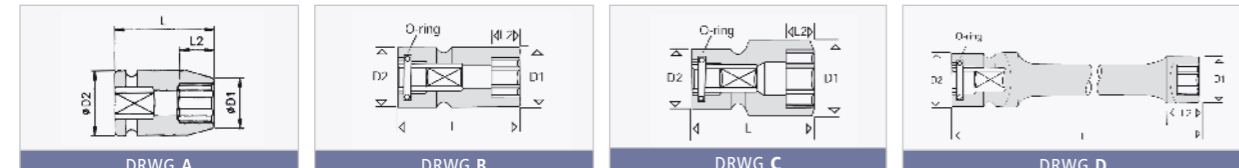
Torx® is a trademark of Textron.

| SIZE | | | | | | |
|----------------|------|------|-------|-------|------|---|
| Torx® internal | | | | | | 4 |
| Type | A/F | DRWG | L1 mm | D2 mm | L mm | - |
| DO68821020 | T20 | F | 2,8 | 25 | 75 | - |
| DO68821025 | T25 | F | 3,0 | 25 | 75 | - |
| DO68821027 | T27 | F | 3,0 | 25 | 75 | - |
| DO68821030 | T30 | F | 3,8 | 25 | 75 | - |
| DO68821040 | T40 | F | 3,8 | 25 | 75 | - |
| DO68821045 | T45 | F | 4,3 | 25 | 75 | - |
| DO68821047 | T47 | F | 5,0 | 25 | 75 | - |
| DO68821050 | T50 | F | 5,0 | 25 | 75 | - |
| DO68821055 | T55 | F | 5,5 | 25 | 75 | - |
| DO68821060 | T60 | F | 8,0 | 25 | 75 | - |
| DO68821070 | T70 | F | 9,4 | 25 | 75 | - |
| DO68821080 | T80 | F | 10,5 | 25 | 75 | - |
| DO68821090 | T90 | F | 11,8 | 25 | 75 | - |
| DO68821100 | T100 | F | 13,1 | 25 | 75 | - |

Torx® is a trademark of Textron.

| SIZE | | | | | | |
|----------------------------|--------|------|-------|-------|------|---|
| Hex Driver 6-Point (Inbus) | | | | | | 5 |
| Type | A/F mm | DRWG | L1 mm | D2 mm | L mm | - |
| Metrical | | | | | | |
| DO68925003 | 3 | F | 11 | 25 | 75 | - |
| DO68925004 | 4 | F | 11 | 25 | 75 | - |
| DO68925005 | 5 | F | 15 | 25 | 75 | - |
| DO68925006 | 6 | F | 15 | 25 | 75 | - |
| DO68925007 | 7 | F | 20 | 25 | 75 | - |
| DO68925008 | 8 | F | 25 | 25 | 75 | - |
| DO68925009 | 9 | F | 25 | 25 | 75 | - |
| DO68925010 | 10 | F | 25 | 25 | 75 | - |
| DO68925011 | 11 | F | 25 | 25 | 75 | - |
| DO68925012 | 12 | F | 25 | 25 | 75 | - |
| DO68925013 | 13 | F | 25 | 25 | 75 | - |
| DO68925014 | 14 | F | 25 | 25 | 75 | - |
| DO68925015 | 15 | F | 25 | 25 | 75 | - |
| DO68925016 | 16 | F | 25 | 25 | 75 | - |
| DO68925017 | 17 | F | 25 | 25 | 75 | - |
| DO68925018 | 18 | F | 25 | 25 | 75 | - |
| DO68925019 | 19 | F | 25 | 25 | 75 | - |

| Stud Bolt Setters | | | | |
|-------------------|------------|-------|-------|------|
| Type | Size | D1 mm | D2 mm | L mm |
| DO66A21062 | M6 x 1 | 13 | 25 | 75 |
| DO66A21083 | M8 x 1,25 | 15 | 25 | 75 |
| DO66A21104 | M10 x 1,5 | 17 | 25 | 75 |
| DO66A21125 | M12 x 1,75 | 19 | 25 | 75 |
| DO66A21146 | M14 x 2 | 22 | 25 | 75 |
| DO66A21166 | M16 x 2 | 27 | 30 | 75 |



Sleeve drive sockets

3/4" Drive

| SIZE | | | | | | | 1 |
|----------------|--|--|--|--|--|--|---|
| 6-Point normal | | | | | | |  |

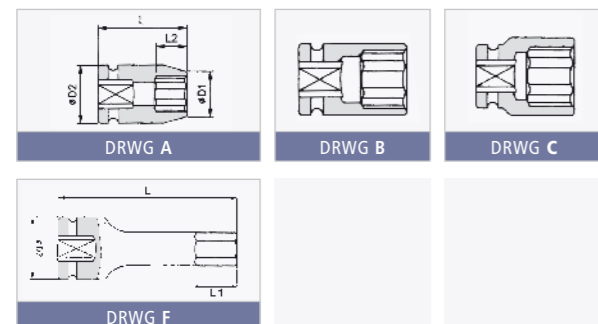
| Type | A/F mm | DRWG | D1 mm | D2 mm | L mm | L2 mm |
|------|--------|------|-------|-------|------|-------|
|------|--------|------|-------|-------|------|-------|


| Metrical | | | | | | |
|------------|----|---|----|----|----|----|
| DO60940017 | 17 | A | 31 | 44 | 65 | 12 |
| DO60940018 | 18 | A | 32 | 44 | 65 | 12 |
| DO60940019 | 19 | A | 33 | 44 | 65 | 14 |
| DO60940021 | 21 | A | 35 | 44 | 65 | 16 |
| DO60940022 | 22 | A | 37 | 44 | 65 | 16 |
| DO60940023 | 23 | A | 38 | 44 | 65 | 16 |
| DO60940024 | 24 | A | 39 | 44 | 65 | 16 |
| DO60940026 | 26 | A | 41 | 44 | 65 | 16 |
| DO60940027 | 27 | A | 43 | 44 | 65 | 16 |
| DO60940028 | 28 | B | 44 | 44 | 68 | 20 |
| DO60940029 | 29 | C | 45 | 44 | 68 | 20 |
| DO60940030 | 30 | C | 47 | 44 | 68 | 20 |
| DO60940032 | 32 | C | 49 | 44 | 70 | 20 |
| DO60940033 | 33 | C | 51 | 44 | 70 | 20 |
| DO60940034 | 34 | C | 52 | 44 | 70 | 20 |
| DO60940035 | 35 | C | 53 | 44 | 70 | 20 |
| DO60940036 | 36 | C | 54 | 44 | 70 | 20 |
| DO60940038 | 38 | C | 57 | 44 | 72 | 22 |
| DO60940041 | 41 | C | 60 | 44 | 72 | 22 |
| DO60940046 | 46 | C | 67 | 54 | 77 | 23 |
| DO60940050 | 50 | C | 71 | 54 | 77 | 23 |

| SIZE | | | | | | | 2 |
|------------------|--|--|--|--|--|--|---|
| 6-Point magnetic | | | | | | |  |

| Type | A/F mm | DRWG | D1 mm | D2 mm | L mm | L2 mm |
|------|--------|------|-------|-------|------|-------|
|------|--------|------|-------|-------|------|-------|

| Metrical | | | | | | |
|------------|----|---|------|----|----|----|
| DO6094A013 | 13 | A | 24,5 | 44 | 65 | 12 |
| DO6094A014 | 14 | A | 25,5 | 44 | 65 | 12 |
| DO6094A015 | 15 | A | 27 | 44 | 65 | 12 |
| DO6094A016 | 16 | A | 28 | 44 | 65 | 12 |
| DO6094A017 | 17 | A | 30 | 44 | 65 | 12 |
| DO6094A018 | 18 | A | 31 | 44 | 65 | 12 |
| DO6094A019 | 19 | A | 32 | 44 | 65 | 14 |
| DO6094A020 | 20 | A | 34 | 44 | 68 | 14 |
| DO6094A021 | 21 | A | 35 | 44 | 68 | 16 |
| DO6094A022 | 22 | A | 37 | 44 | 68 | 16 |
| DO6094A023 | 23 | A | 38 | 44 | 68 | 16 |
| DO6094A024 | 24 | A | 39 | 44 | 68 | 16 |
| DO6094A025 | 25 | A | 41 | 44 | 69 | 16 |
| DO6094A026 | 26 | A | 42 | 44 | 69 | 16 |
| DO6094A027 | 27 | A | 43 | 44 | 69 | 16 |



| SIZE | | | | | | | 3 |
|----------------------------|--|--|--|--|--|--|---|
| Hex Driver 6-Point (Inbus) | | | | | | |  |

| Type | A/F mm | DRWG | D2 mm | L mm | L2 mm | - |
|------|--------|------|-------|------|-------|---|
|------|--------|------|-------|------|-------|---|

| Metrical | | | | | | |
|------------|----|---|----|-----|----|---|
| DO68945010 | 10 | F | 44 | 100 | 20 | - |
| DO68945012 | 12 | F | 44 | 100 | 20 | - |
| DO68945014 | 14 | F | 44 | 100 | 20 | - |
| DO68945016 | 16 | F | 44 | 100 | 20 | - |
| DO68945017 | 17 | F | 44 | 100 | 20 | - |
| DO68945019 | 19 | F | 44 | 100 | 20 | - |
| DO68945022 | 22 | F | 44 | 100 | 20 | - |
| DO68945024 | 24 | F | 44 | 100 | 20 | - |
| DO68945027 | 27 | F | 44 | 100 | 20 | - |
| DO68945030 | 30 | F | 44 | 100 | 20 | - |
| DO68945032 | 32 | F | 44 | 100 | 20 | - |
| DO68945033 | 33 | F | 44 | 100 | 20 | - |
| DO68945036 | 36 | F | 44 | 100 | 20 | - |
| DO68945038 | 38 | F | 44 | 100 | 20 | - |

| SIZE | | | | | | | 4 |
|----------------|--|--|--|--|--|--|--|
| Torx® external | | | | | | |  |

| Type | A/F | DRWG | D1 mm | D2 mm | L mm | L2 mm |
|------|-----|------|-------|-------|------|-------|
|------|-----|------|-------|-------|------|-------|

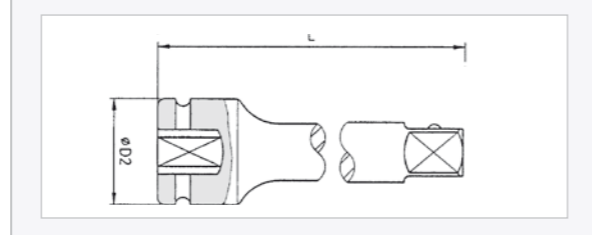
| Metrical | | | | | | |
|------------|-----|---|----|----|----|------|
| DO66940018 | E18 | A | 26 | 44 | 65 | 12,5 |
| DO66940020 | E20 | A | 28 | 44 | 65 | 14 |
| DO66940022 | E22 | A | 31 | 44 | 65 | 15 |
| DO66940024 | E24 | A | 33 | 44 | 65 | 16,5 |

Torx® is a trademark of Textron.

Extensions

| Type | Square-drive | L mm | D2 mm |
|------|--------------|------|-------|
|------|--------------|------|-------|


| Metrical | | | |
|------------|------|-----|----|
| DO64614075 | 3/8" | 75 | 22 |
| DO64614125 | 3/8" | 125 | 22 |
| DO64614250 | 3/8" | 250 | 22 |
| DO64624075 | 1/2" | 75 | 25 |
| DO64624125 | 1/2" | 125 | 25 |
| DO64624175 | 1/2" | 175 | 25 |
| DO64624250 | 1/2" | 250 | 25 |
| DO64644175 | 3/4" | 175 | 44 |
| DO64644250 | 3/4" | 250 | 44 |
| DO64644330 | 3/4" | 330 | 44 |



Sleeve drive sockets

Adaptors



| SIZE | | | | | | | 1 |
|----------------------|--|--|--|--|--|--|---|
| Quickchange adaptors | | | | | | |  |

| Type | Drive-in | Drive-out | D2 mm | L mm | - | - |
|------|----------|-----------|-------|------|---|---|
|------|----------|-----------|-------|------|---|---|

| Metrical | | | | | | |
|------------|------|------|----|-----|---|---|
| DO69151116 | 3/8" | 1/2" | 20 | 80 | - | - |
| DO69152112 | 1/2" | 3/8" | 25 | 75 | - | - |
| DO69154116 | 3/4" | 1/2" | 44 | 90 | - | - |
| DO69151112 | 3/8" | 3/8" | 19 | 75 | - | - |
| DO69151212 | 3/8" | 3/8" | 19 | 100 | - | - |
| DO69152216 | 1/2" | 1/2" | 25 | 100 | - | - |
| DO69154324 | 3/4" | 3/4" | 44 | 125 | - | - |

| SIZE | | | | | | 2 |
|----------------------|--|--|--|--|--|---|
| Quickchange adaptors | | | | | |  |

| Type | Square-drive | Hex chuck | D2 mm | L mm | - | - |
|------|--------------|-----------|-------|------|---|---|
|------|--------------|-----------|-------|------|---|---|

| Metrical | | | | | | |
|------------|------|-------|----|----|---|---|
| DO69111E08 | 3/8" | 1/4" | 52 | 22 | - | - |
| DO69111E14 | 3/8" | 7/16" | 62 | 22 | - | - |
| DO69112E08 | 1/2" | 1/4" | 60 | 25 | - | - |
| DO69112E14 | 1/2" | 7/16" | 70 | 25 | - | - |
| DO69114E14 | 3/4" | 7/16" | 80 | 44 | - | - |

Impact sockets for impuls wrenches | 1/4" drive



| SIZE | | | | | | 1 |
|------------------|--|--|--|--|--|---|
| 6-Point magnetic | | | | | |  |

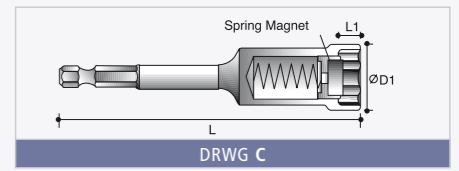
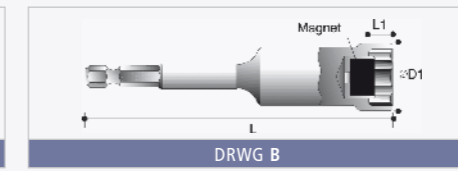
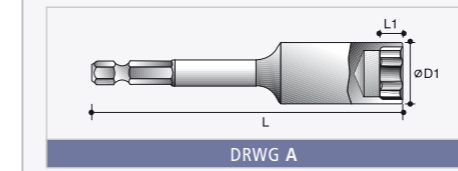
| Type | A/F mm | DRWG | D1 mm | L mm | L1 mm |
|------|--------|------|-------|------|-------|
|------|--------|------|-------|------|-------|

| Metrical | | | | | |
|------------|----|---|----|-----|-----|
| DO697B0M06 | 6 | B | 10 | 55 | 4,5 |
| DO697B0M08 | 8 | B | 12 | 55 | 4,5 |
| DO697B0M10 | 10 | B | 14 | 55 | 5,5 |
| DO697B0M12 | 12 | B | 17 | 55 | 5,5 |
| DO697B0M13 | 13 | B | 18 | 55 | 5,5 |
| DO697B0M14 | 14 | B | 19 | 55 | 5,5 |
| DO697B0P06 | 6 | B | 10 | 100 | 4,5 |
| DO697B0P08 | 8 | B | 12 | 100 | 4,5 |
| DO697B0P10 | 10 | B | 14 | 100 | 5,5 |
| DO697B0P12 | 12 | B | 17 | 100 | 5,5 |
| DO697B0P13 | 13 | B | 18 | 100 | 5,5 |
| DO697B0P14 | 14 | B | 19 | 100 | 5,5 |

| SIZE | | | | | | 2 |
|---------|--|--|--|--|--|---|
| 6-Point | | | | | |  |

| Type | A/F mm | DRWG | D1 mm | L mm | L1 mm |
|------|--------|------|-------|------|-------|
|------|--------|------|-------|------|-------|

| Metrical | | | | | |
|------------|----|---|----|----|-----|
| DO697B0S04 | 4 | A | 8 | 55 | 4,5 |
| DO697B0S06 | 6 | A | 10 | 55 | 4,5 |
| DO697B0T06 | 6 | A | 10 | 75 | 4,5 |
| DO697B0T07 | 7 | A | 11 | 75 | 4,5 |
| DO697B0T08 | 8 | A | 12 | 75 | 4,5 |
| DO697B0T10 | 10 | A | 14 | 75 | 5,5 |
| DO697B0T12 | 12 | A | 17 | 75 | 5,5 |
| DO697B0T13 | 13 | A | 18 | 75 | 5,5 |
| DO697B0T14 | 14 | A | 19 | 75 | 5,5 |



(Spring) balancers

Standard model

| Type | Brand | Capacity kg | Cable length m | Weight kg | Hose-diameter mm | Air cons. l/min | Inlet-thread |
|------------|-------|-------------|----------------|-----------|------------------|-----------------|--------------|
| RRI-9001/1 | RRI | 0,5 - 1,5 | 2,0 | 0,5 | - | - | - |
| RRI-9003/1 | RRI | 1,0 - 3,0 | 2,0 | 0,7 | - | - | - |
| RRI-9005/1 | RRI | 2,5 - 5,0 | 2,0 | 0,9 | - | - | - |
| EK-00 | RRI | 0,5 - 1,5 | 0,5 | 0,2 | - | - | - |
| EK-0 | RRI | 0,5 - 1,5 | 1,0 | 0,5 | - | - | - |
| TW-3 | RRI | 1,0 - 3,0 | 1,3 | 1,4 | - | - | - |
| TW-5 | RRI | 2,5 - 5,0 | 1,3 | 1,5 | - | - | - |
| TW-9 | RRI | 4,5 - 9,0 | 1,3 | 3,4 | - | - | - |
| TW-15 | RRI | 9 - 15 | 1,3 | 3,8 | - | - | - |



Hosereel with integrated cable

| Type | Brand | Capacity kg | Cable length m | Weight kg | Hose-diameter mm | Air cons. l/min | Inlet-thread |
|-------|-------|-------------|----------------|-----------|------------------|-----------------|--------------|
| HTB-0 | RRI | 0,5 - 1,5 | 1,3 | 1,58 | 6,5 | 700 | PT 1/4" |
| HTB-1 | RRI | 1,5 - 3,0 | 1,3 | 1,66 | 6,5 | 700 | PT 1/4" |
| HTB-2 | RRI | 3,0 - 5,0 | 1,3 | 1,73 | 6,5 | 700 | PT 1/4" |

Long stroke

| Type | Brand | Capacity kg | Cable length m | Weight kg | - | - |
|--------|-------|-------------|----------------|-----------|---|---|
| ELF-3 | RRI | 1,5 - 3,0 | 2,5 | 4,1 | - | - |
| ELF-5 | RRI | 3 - 5,0 | 2,5 | 4,2 | - | - |
| ELF-9 | RRI | 5 - 9 | 2,5 | 4,7 | - | - |
| ELF-15 | RRI | 9 - 15 | 2,5 | 10,0 | - | - |

Rubber protection cover

| Type | N° de commande | | | |
|---------|----------------|---------|----------|---------------|
| RRI-30 | RRI-30T | RRI-30A | RRI-30AT | I 40-109-A05 |
| RRI-40 | RRI-40T | RRI-40A | RRI-40AT | |
| RRI-50 | RRI-50T | RRI-50A | RRI-50AT | |
| RRI-60 | RRI-60T | RRI-60A | RRI-60AT | I 60-109-A05 |
| RRI-70 | RRI-70T | | | I 70-109-A05 |
| RRI-90 | RRI-90T | | | I 90-109-A05 |
| RRI-100 | RRI-100T | | | I 100-109-A05 |
| RRI-130 | RRI-130T | | | I 130-109-A05 |
| RRI-150 | RRI-150T | | | I 150-109-A05 |
| RRI-180 | RRI-180T | | | I 180-109-A05 |
| RRI-200 | RRI-200T | | | I 200-109 |



Action brochure

Impact sockets for optimal performance and security

Available in the following languages:
English, German, French

Content:

Impact sockets and accessories, Normal/Long, Magnetic/Torx®, Hex Head/12-Point, Surface Drive/Thin wall, Universal joints, Sleeve drive, Impact Socket Sets, Torque/Adapters, Extension Bars

Guideline values for tightening torques

| VDI 2230* | | Steel | | | | | | Stainless Steel | | |
|-----------|-------------|-----------|-----------|-----------|-----------|-----------|-----------|-----------------|-----------|-----------|
| Class | | 4.6 | 4.8 | 5.8 | 8.8 | 10.9 | 12.9 | 50 | 70 | 80 |
| Bolt | Socket size | Torque Nm | Torque Nm | Torque Nm | Torque Nm | Torque Nm | Torque Nm | Torque Nm | Torque Nm | Torque Nm |
| M1.6 | - | 0,065 | 0,086 | 0,11 | 0,17 | 0,24 | 0,29 | 0,10 | 0,20 | - |
| M2 | - | 0,13 | 0,17 | 0,22 | 0,35 | 0,49 | 0,58 | 0,25 | 0,30 | - |
| M2.2 | - | 0,017 | 0,23 | 0,29 | 0,46 | 0,64 | 0,77 | - | - | - |
| M2.5 | - | 0,26 | 0,35 | 0,44 | 0,70 | 0,98 | 1,20 | 0,45 | 0,60 | - |
| M3 | - | 0,46 | 0,61 | 0,77 | 1,20 | 1,70 | 2,10 | 1,00 | 1,10 | - |
| M3.5 | - | 0,73 | 0,97 | 1,20 | 1,90 | 2,70 | 3,30 | - | - | - |
| M4 | 7 | 1,1 | 1,5 | 1,9 | 2,9 | 4,1 | 4,9 | 0,94 | 2,01 | 2,68 |
| M5 | 9 | 2,2 | 3,0 | 3,7 | 6 | 8,5 | 10 | 1,86 | 4,00 | 5,33 |
| M6 | 10 | 3,9 | 5,1 | 6,4 | 10 | 14 | 17 | 3,23 | 6,92 | 9,23 |
| M8 | 13 | 9,3 | 12 | 16 | 25 | 35 | 41 | 7,9 | 16,9 | 22,5 |
| M10 | 17/16 | 19 | 25 | 31 | 49 | 69 | 83 | 15,6 | 33,3 | 44,5 |
| M12 | 19/18 | 32 | 43 | 54 | 86 | 120 | 145 | 26,9 | 57,7 | 76,9 |
| M14 | 22/21 | 51 | 68 | 86 | 135 | 190 | 230 | 43,4 | 93,0 | 124,1 |
| M16 | 24 | 79 | 105 | 130 | 210 | 295 | 355 | 66,4 | 142,3 | 189,8 |
| M18 | 27 | 110 | 145 | 180 | 290 | 405 | 485 | 92,8 | 198 | 265 |
| M20 | 30 | 155 | 205 | 255 | 410 | 580 | 690 | 130 | 278 | 371 |
| M22 | 32 | 205 | 275 | 345 | 550 | 780 | 930 | 174 | 374 | 499 |
| M24 | 36 | 200 | 350 | 440 | 710 | 1000 | 1200 | 224 | 480 | 640 |
| M27 | 41 | 390 | 520 | 650 | 1050 | 1500 | 1800 | 331 | 708 | - |
| M30 | 46 | 530 | 710 | 880 | 1450 | 2000 | 2400 | 450 | 964 | - |
| M33 | 50 | 720 | 960 | 1200 | 1900 | 2700 | 3250 | 609 | - | - |
| M36 | 55 | 920 | 1250 | 1550 | 2450 | 3450 | 4150 | 782 | - | - |
| M39 | 60 | 1200 | 1600 | 2000 | 3200 | 4500 | 5400 | 1013 | - | - |
| M42 | 65 | 1500 | 1950 | 2450 | 3950 | 5550 | 6650 | - | - | - |
| M45 | 70 | 1850 | 2450 | 3100 | 4950 | 6950 | 8350 | - | - | - |
| M48 | 75 | 2250 | 3000 | 3750 | 5950 | 8400 | 10100 | - | - | - |
| M52 | 80 | 2900 | 3850 | 4800 | 7650 | 10800 | 12900 | - | - | - |
| M56 | 85 | 3600 | 4800 | 5950 | 9550 | 13400 | 16100 | - | - | - |
| M60 | 90 | 4450 | 5950 | 7400 | 11900 | 16700 | 20000 | - | - | - |
| M64 | 95 | 5350 | 7150 | 8950 | 14300 | 20100 | 24100 | - | - | - |
| M68 | 100 | 6500 | 8650 | 10800 | 17300 | 24300 | 29100 | - | - | - |

* These torque values are only guide lines and are calculated with friction factor 0,125 based on bolts ISO 4014 - 4018.

This catalogue is a snapshot of our assortment. On

www.rami-yokota.com

we would like to inform you about the latest developments!

Red Rooster Shut-Off Screwdrivers

PROFESSIONAL TOOLS FOR
THE ASSEMBLY INDUSTRIE

www.rami-yokota.com

Pistol, straight and
angle models

Cordless Shut-off
Screwdriver

Impact sockets

Accessories

TiD-extra
Industrial Technologies d.o.o.



 **red rooster**

Main features

Construction and geometry of the shut-off clutch mechanism designed for:

- high accuracy ($Cmk > 2$ at $\pm 10\%$)
- minimised reaction forces

Precision air motor enables the use of non-lubricated air.

Possibility to connect air on top.

High strength of the trigger Rod

Composite housing, designed for best ergonomics and light weight.

Increased surface area of silencer material for very low noise level.

Adjustable direction of exhaust air

Fast and effective

Red Rooster is a notion in the European market since 1973. At that time introduced as our private brand but nowadays grown to one of the leading brands in the field of air tools. Red Rooster is well known for its reliable quality and offers you a complete range against interesting prices. This is especially true for the new Red Rooster screwdriver. A pistol model, angle or straight, we have it all available.

Availability and reliability; therefore you can count on us. We are also the right address for service and maintenance. Our professional workshop has excellent test and maintenance equipment allowing us to guarantee optimum performance of your Red Rooster tools. Together with our local partners we guarantee you: **productivity**.

ISO-9001 certificated

The high level fastening quality required for critical areas is achieved with the advanced measuring capability and controlling performance based on ISO-9001 to offer you the highest quality

Red Rooster Tools means quality tools



low
reaction
forces



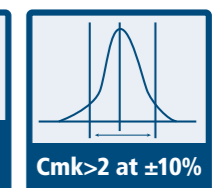
low
maintenance
costs



low
noise



low
vibration



$Cmk > 2$ at $\pm 10\%$

Pistol models

The Red Rooster shut-off screwdrivers have a large torque-range, are highly accurate, have a low vibration level, have a very ergonomic design and have a low noise level. The special design of the clutch combines low reaction forces with a high repeatability of the torque. This air tool is designed for the assembly industry, where threaded fasteners are used. The wide range of different speeds always allows the best choice for a specific need. Low speed for plastics and hose clamps, high speeds for machined screws. The screwdriver can be connected by 4 mm O.D. tube to a YTC-3 controller for batch counting.



Pistol model

| Type | Brand | Hex drive | Bolt capacity mm | RPM | Torque Nm | Air-cons. l/s | Weight kg | Inlet-thread | Hose-diameter mm | Vibration m/s ² | Noise level dB(A) |
|-------------|-------|-----------|------------------|-------|------------|---------------|-----------|--------------|------------------|----------------------------|-------------------|
| RRI-SP11602 | RRI | 1/4" Hex | 4 | 1.600 | 0,3 - 1,8 | 8 | 0,77 | 1/4" | 6,5 | <2,5 | 68 |
| RRI-SP10902 | RRI | 1/4" Hex | 4 | 900 | 0,3 - 2,2 | 8 | 0,77 | 1/4" | 6,5 | <2,5 | 68 |
| RRI-SP21704 | RRI | 1/4" Hex | 4 | 1.700 | 1,0 - 3,5 | 10 | 0,98 | 1/4" | 6,5 | <2,5 | 72 |
| RRI-SP21104 | RRI | 1/4" Hex | 4 | 1.100 | 1,5 - 4,0 | 10 | 0,98 | 1/4" | 6,5 | <2,5 | 72 |
| RRI-SP20705 | RRI | 1/4" Hex | 4 | 700 | 1,5 - 4,5 | 10 | 0,98 | 1/4" | 6,5 | <2,5 | 72 |
| RRI-SP31706 | RRI | 1/4" Hex | 5 | 1.700 | 3,5 - 6,0 | 12 | 1,1 | 1/4" | 6,5 | <2,5 | 72 |
| RRI-SP31108 | RRI | 1/4" Hex | 5 | 1.100 | 3,5 - 8,0 | 12 | 1,1 | 1/4" | 6,5 | <2,5 | 72 |
| RRI-SP30710 | RRI | 1/4" Hex | 6 | 700 | 3,5 - 10,0 | 12 | 1,1 | 1/4" | 6,5 | <2,5 | 72 |
| RRI-SP30511 | RRI | 1/4" Hex | 6 | 550 | 3,5 - 11,0 | 12 | 1,1 | 1/4" | 6,5 | <2,5 | 72 |

CHARACTERISTICS

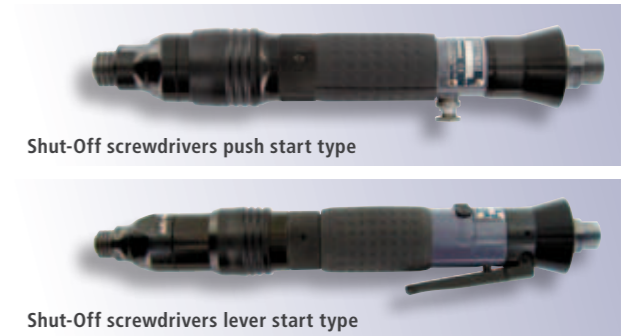
- Shut-off
- Pistol design in composite, with soft grip
- Reversible
- Grip-exhaust, silenced
- Ergonomic grip
- Easily torque adjustable
- Delivery includes hanger
- Side grip optional for size 3 tools (order number: 766-027)

DIMENSIONS

| Type | A mm | B mm | C mm |
|-------------|------|------|------|
| RRI-SP11602 | 198 | 16 | 157 |
| RRI-SP10902 | 198 | 16 | 157 |
| RRI-SP21704 | 209 | 18 | 157 |
| RRI-SP21104 | 209 | 18 | 157 |
| RRI-SP20705 | 209 | 18 | 157 |
| RRI-SP31706 | 238 | 18 | 156 |
| RRI-SP31108 | 238 | 18 | 157 |
| RRI-SP30710 | 238 | 18 | 157 |
| RRI-SP30511 | 238 | 18 | 157 |

Straight models

The Red Rooster Shut-Off screwdrivers have a large torque-range, are highly accurate and have a low vibration level. Very ergonomic design and low noise level. The special design of the clutch combines low reaction forces with a high repeatability of the torque. This air tool is designed for the assembly industry, where threaded fasteners are used. The screwdriver can be connected by 4 mm O.D. tube to a YTC-3 controller for batch counting.



Shut-Off screwdrivers push start type

Shut-Off screwdrivers lever start type

| Type | Brand | Hex drive | Bolt capacity mm | RPM | Torque Nm | Air-cons. l/s | Weight kg | Inlet-thread | Hose-diameter mm | Vibration m/s ² | Noise level dB(A) |
|------|-------|-----------|------------------|-----|-----------|---------------|-----------|--------------|------------------|----------------------------|-------------------|
|------|-------|-----------|------------------|-----|-----------|---------------|-----------|--------------|------------------|----------------------------|-------------------|

Shut-Off screwdrivers push start type (not for batch counting)

| | | | | | | | | | | | |
|-------------|-----|----------|---|-------|------------|----|------|------|-----|------|----|
| RRI-SD11602 | RRI | 1/4" Hex | 4 | 1.600 | 0,3 - 1,8 | 8 | 0,54 | 1/4" | 6,5 | <2,5 | 68 |
| RRI-SD10902 | RRI | 1/4" Hex | 4 | 900 | 0,3 - 2,2 | 8 | 0,54 | 1/4" | 6,5 | <2,5 | 68 |
| RRI-SD21704 | RRI | 1/4" Hex | 4 | 1.700 | 1,0 - 3,5 | 10 | 0,77 | 1/4" | 6,5 | <2,5 | 72 |
| RRI-SD21104 | RRI | 1/4" Hex | 4 | 1.100 | 1,5 - 4,0 | 10 | 0,77 | 1/4" | 6,5 | <2,5 | 72 |
| RRI-SD20705 | RRI | 1/4" Hex | 4 | 700 | 1,5 - 4,5 | 10 | 0,77 | 1/4" | 6,5 | <2,5 | 72 |
| RRI-SD31706 | RRI | 1/4" Hex | 5 | 1.700 | 3,5 - 6,0 | 12 | 0,89 | 1/4" | 6,5 | <2,5 | 72 |
| RRI-SD31108 | RRI | 1/4" Hex | 5 | 1.100 | 3,5 - 8,0 | 12 | 0,89 | 1/4" | 6,5 | <2,5 | 72 |
| RRI-SD30710 | RRI | 1/4" Hex | 6 | 700 | 3,5 - 10,0 | 12 | 0,89 | 1/4" | 6,5 | <2,5 | 72 |
| RRI-SD30511 | RRI | 1/4" Hex | 6 | 550 | 3,5 - 11,0 | 12 | 0,89 | 1/4" | 6,5 | <2,5 | 72 |

Shut-Off screwdrivers lever start type

| | | | | | | | | | | | |
|-------------|-----|----------|---|-------|------------|----|------|------|-----|------|----|
| RRI-SL11602 | RRI | 1/4" Hex | 4 | 1.600 | 0,3 - 1,8 | 8 | 0,59 | 1/4" | 6,5 | <2,5 | 68 |
| RRI-SL10902 | RRI | 1/4" Hex | 4 | 900 | 0,3 - 2,2 | 8 | 0,59 | 1/4" | 6,5 | <2,5 | 68 |
| RRI-SL21704 | RRI | 1/4" Hex | 4 | 1.700 | 1,0 - 3,5 | 10 | 0,84 | 1/4" | 6,5 | <2,5 | 72 |
| RRI-SL21104 | RRI | 1/4" Hex | 4 | 1.100 | 1,5 - 4,0 | 10 | 0,84 | 1/4" | 6,5 | <2,5 | 72 |
| RRI-SL20705 | RRI | 1/4" Hex | 4 | 700 | 1,5 - 4,5 | 10 | 0,84 | 1/4" | 6,5 | <2,5 | 72 |
| RRI-SL31706 | RRI | 1/4" Hex | 5 | 1.700 | 3,5 - 6,0 | 12 | 0,93 | 1/4" | 6,5 | <2,5 | 72 |
| RRI-SL31108 | RRI | 1/4" Hex | 5 | 1.100 | 3,5 - 8,0 | 12 | 0,93 | 1/4" | 6,5 | <2,5 | 72 |
| RRI-SL30710 | RRI | 1/4" Hex | 6 | 700 | 3,5 - 10,0 | 12 | 0,93 | 1/4" | 6,5 | <2,5 | 72 |
| RRI-SL30511 | RRI | 1/4" Hex | 6 | 550 | 3,5 - 11,0 | 12 | 0,93 | 1/4" | 6,5 | <2,5 | 72 |

CHARACTERISTICS

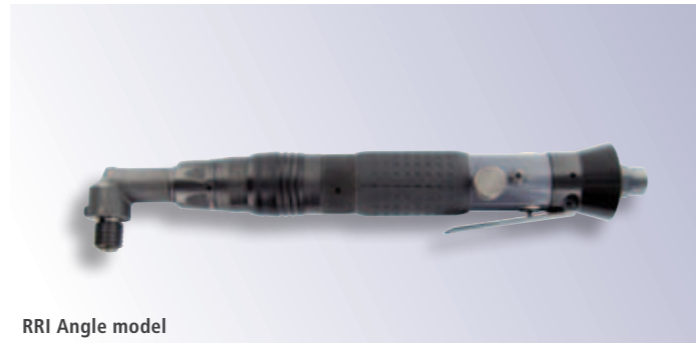
- Shut-off
- New straight design with soft grip
- Reversible
- Rear-exhaust, silenced
- Ergonomic grip, lever start
- Easily adjustable
- Delivery includes hanger
- Large torque range
- Side grip delivered with size 3 tools (order number: 766-027)

DIMENSIONS

| Type | A mm | B mm | Type | A mm | B mm |
|-------------|------|------|-------------|------|------|
| RRI-SD11602 | 228 | 16 | RRI-SL11602 | 244 | 16 |
| RRI-SD10902 | 228 | 16 | RRI-SL10902 | 244 | 16 |
| RRI-SD21704 | 244 | 18 | RRI-SL21704 | 263 | 18 |
| RRI-SD21104 | 244 | 18 | RRI-SL21104 | 263 | 18 |
| RRI-SD20705 | 244 | 18 | RRI-SL20705 | 263 | 18 |
| RRI-SD31706 | 276 | 18 | RRI-SL31706 | 263 | 18 |
| RRI-SD31108 | 276 | 18 | RRI-SL31108 | 309 | 18 |
| RRI-SD30710 | 276 | 18 | RRI-SL30710 | 309 | 18 |
| RRI-SD30511 | 276 | 18 | RRI-SL30511 | 309 | 18 |

Angle models

The Red Rooster Shut-Off screwdrivers have a large torque-range, are highly accurate and have a low vibration level. Very ergonomic design and low noise level. The special design of the clutch combines low reaction forces with a high repeatability of the torque. This air tool is designed for the assembly industry, where threaded fasteners are used. The screwdriver can be connected by 4 mm O.D. tube to a YTC-3 controller for batch counting.



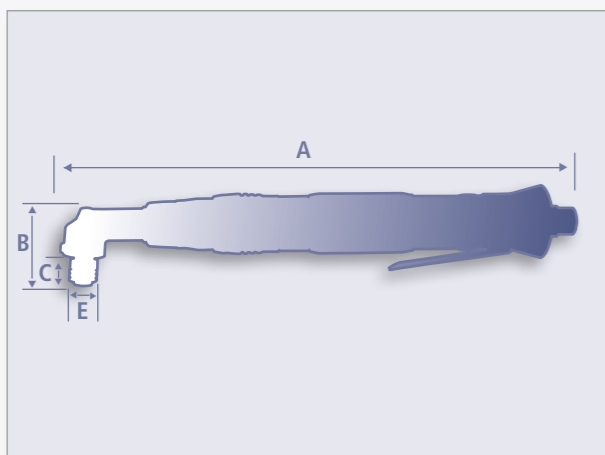
RRI Angle model

| Type | Brand | Square / hex drive | Bolt capacity mm | RPM | Torque Nm | Air-cons. l/s | Weight kg | Inlet-thread | Hose-diameter mm | Vibration m/s ² | Noise level dB(A) |
|--------------|-------|--------------------|------------------|-------|------------|---------------|-----------|--------------|------------------|----------------------------|-------------------|
| RRI-SA11602 | RRI | 1/4" Hex | 4 | 1.600 | 0,3 - 1,8 | 8 | 0,82 | 1/4" | 6,5 | <2,5 | 68 |
| RRI-SA10902 | RRI | 1/4" Hex | 4 | 900 | 0,3 - 2,2 | 8 | 0,82 | 1/4" | 6,5 | <2,5 | 68 |
| RRI-SA21704 | RRI | 1/4" Hex | 4 | 1.700 | 1,0 - 3,5 | 10 | 1,02 | 1/4" | 6,5 | <2,5 | 72 |
| RRI-SA21104 | RRI | 1/4" Hex | 4 | 1.100 | 1,5 - 4,0 | 10 | 1,02 | 1/4" | 6,5 | <2,5 | 72 |
| RRI-SA20705 | RRI | 1/4" Hex | 4 | 700 | 1,5 - 4,5 | 10 | 1,02 | 1/4" | 6,5 | <2,5 | 72 |
| RRI-SA31108 | RRI | 1/4" Hex | 5 | 1.100 | 3,5 - 8,0 | 12 | 1,36 | 1/4" | 6,5 | <2,5 | 72 |
| RRI-SA30710 | RRI | 1/4" Hex | 6 | 700 | 3,5 - 10,0 | 12 | 1,36 | 1/4" | 6,5 | <2,5 | 72 |
| RRI-SA30511 | RRI | 1/4" Hex | 6 | 550 | 3,5 - 11,0 | 12 | 1,36 | 1/4" | 6,5 | <2,5 | 72 |
| RRI-SA31108W | RRI | 3/8" Square | 5 | 1.100 | 3,5 - 8,0 | 12 | 1,36 | 3/8" | 6,5 | <2,5 | 72 |
| RRI-SA30710W | RRI | 3/8" Square | 6 | 700 | 3,5 - 10,0 | 12 | 1,36 | 3/8" | 6,5 | <2,5 | 72 |
| RRI-SA30511W | RRI | 3/8" Square | 6 | 550 | 3,5 - 11,0 | 12 | 1,36 | 3/8" | 6,5 | <2,5 | 72 |

CHARACTERISTICS

- Shut-off
- New angled body-design with soft grip
- Reversible
- Rear-exhaust, silenced
- Ergonomic grip, lever start
- Easily adjustable
- Delivery includes hanger
- Large torque range

DIMENSIONS



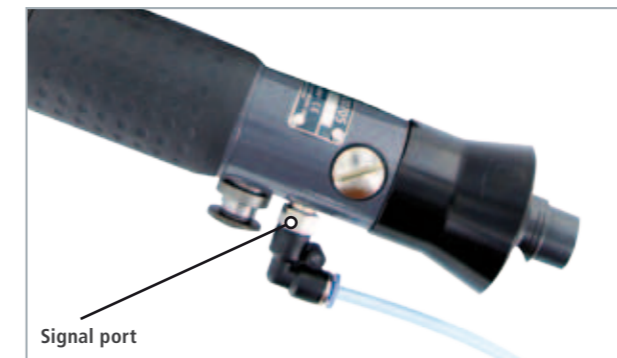
| Type | A mm | B mm | C mm | E mm |
|--------------|------|------|------|------|
| RRI-SA11602 | 294 | 29 | 16,1 | 12 |
| RRI-SA10902 | 294 | 29 | 16,1 | 12 |
| RRI-SA21704 | 314 | 29 | 16,1 | 12 |
| RRI-SA21104 | 314 | 29 | 16,1 | 12 |
| RRI-SA20705 | 314 | 30,5 | 15,8 | 13,5 |
| RRI-SA31108 | 350 | 30,5 | 15,8 | 13,5 |
| RRI-SA30710 | 350 | 30,5 | 15,8 | 13,5 |
| RRI-SA30511 | 350 | 30,5 | 15,8 | 13,5 |
| RRI-SA31108W | 350 | 30,5 | 15,8 | 13,5 |
| RRI-SA30710W | 350 | 30,5 | 15,8 | 13,5 |
| RRI-SA30511W | 350 | 30,5 | 15,8 | 13,5 |

Poka Yoke controller YTC-3

Quality assurance

In order to reduce the chance of faulty tightenings in the assembly process, the Poka Yoke controller YTC-3 offers great opportunities in combination with the Red Rooster shut-off screwdrivers RRI-S series.

The RRI-S series of screwdrivers have on the pistol models, on the angle models and on the straight models with lever start a signal port (M5 threaded). A hose coupling for 4 mm PU tube is delivered as part of the standard accessories. The signal port is receiving the (air-pressure) signal once the shut-off mechanism has been activated. Thus indicating that a correct tightening has been made.



Once the signal port is connected to the internal air pressure sensor of the YTC-3 controller, the analogue signal processing is converted into electronic signal processing. Setting the parameters (times, air pressures) correctly of the YTC-3 controller is done simply by push button menu. Simply stated, the controller will check if the tightening process is qualified as finished correctly by checking continuously the measured values against the preset windows. At the same time, the I/O terminal board of the controller offers the possibility to connect to the peripheral equipments, such as start buttons, limit switches, signaling lights / lamp towers, line control plc systems etc.

The YTC-3 controller judges the tightening process and an audio signal indicates to the operator the result of the judgment. The system can count the correct tightenings and offers group control, by audio signal and output signal to the I/O terminal board).

Controller YTC-3



System features

- Power supply: 100 - 240V AC
- Input: 8
- Relay output: 4 opening and shutting capacity: max. DC-48W, AC-220VA)
- Output for solenoid valve: 1(DC24V 2W)
- Group control
- Double tightening detection
- Interlock with assembly line
- Error judgement on trigger release

Cordless shut-off screwdriver RRI-BS serie

Cordless shut-off screwdriver RRI-BS serie

Product strengths

- The ergonomic handle design makes work easier and effort-saving that promotes the work efficiency.
- Torque accuracy: meet ISO 5393 Cmk>2 at ±10% tolerance.
- Precision clutch with low reaction forces.
- Trigger repeat protection avoids "double hits".
- Brushless motor: ensures low maintenance.
- Highly durable gear: ensures low maintenance.
- Precision shut-off clutch: ensures quality in tightening.
- Ergonomic rubber grip: ensures operator performance.
- Delivery includes hanger bracket.



Possibility of four rings with different colours to distinguish the torque: Colour coding of your tools made easy working!

| Type | Volt. V | Drive size in | Screw size mm | Torque range Nm | Free speed RPM | Weight w/o Batt. kg |
|----------|---------|---------------|---------------|-----------------|----------------|---------------------|
| RRI-BS3 | 18 | 1/4" Hex | M3 - M4 | 0,8 - 3 | 500 - 1.550 | 0,95 |
| RRI-BS6 | 18 | 1/4" Hex | M3 - M5 | 1 - 6 | 300 - 900 | 0,95 |
| RRI-BS9 | 18 | 1/4" Hex | M3 - M5 | 1,5 - 9 | 300 - 700 | 0,95 |
| RRI-BS12 | 18 | 1/4" Hex | M4 - M6 | 2 - 12 | 250 - 550 | 0,95 |

Charger



Part No. Charger: B84192B

Lithium Li-ion battery

18 Volt
The unique design of low battery warning reminds operators the time to change the battery.

| Version | Part. no. |
|---------|------------|
| 1,5 Ah | BB180C-315 |
| 2 Ah | BB180C-320 |
| 4 Ah | BB180C-340 |

Power cord

Part No. Power cord:
E86B-VD European style
E86B-UK UK style

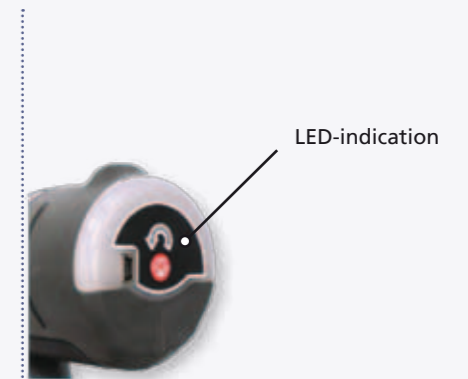
Torque adjustment

1. Lift the torque adjustment cover. Take the torque adjust tool and insert it to the quick change holder and turn until the adjust hole shows up.
2. Use the torque adjust tool to turn clockwise to increase torque and turn counterclockwise to decrease torque.

Note: To avoid danger during the adjustment process, the battery pack must be removed before adjusting the torque.

Back panel LED-indications

- A green light tells the operator that the preset torque is reached and the tightening is OK.
- A red light and one long "beep" sound tell the operator that the preset torque is not reached, the screwing process must be performed again.
- A flashing yellow light and five short "beep" sounds give an early warning when it is time for recharging the battery.
- A yellow light and one long "beep" sound mean a battery lock which indicates that the tool can't work and the battery needs to be changed.



Programmer

Features:

- One programmer fits all RRI-BS series tools
- Easy to set the tool speed:
 - High speed for metallic assemblies
 - Medium speed for plastic assemblies
 - Low speed for special assemblies
- Total used time memory function
- Total count memory function
- Operation count memory function
- Tool identification number
- Sound level of beeper

(All memory functions stored on printed circuit board in the tool)

Part No.: programmer: B745C180B



Applications

- Assembly applications where torque accuracy is required.
- Areas where pneumatic or electric tools are impractical to use due to hoses/cables.
- Especially used on car interior assembly.
- Attaching components to the dashboard.
- Hose clips on turbo chargers and air intakes, heating and climate systems and coolant circuits.
- Mounting components in control cabinets.



Impact sockets for screwdrivers

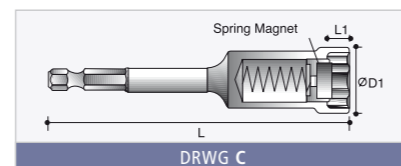
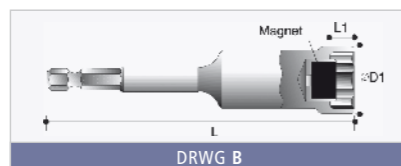
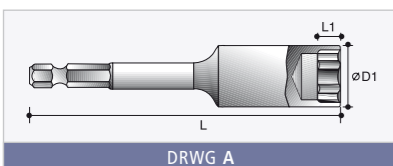
Accessories

1/4" Drive

| SIZE | | | | | | |
|-----------------|--------|------|-------|------|-------|---|
| 6-Point | | | | | | |
| Type | A/F mm | DRWG | D1 mm | L mm | L1 mm | - |
| Metrical | | | | | | |
| DO697B0S04 | 4 | A | 8 | 55 | 4,5 | - |
| DO697B0S06 | 6 | A | 10 | 55 | 4,5 | - |
| DO697B0T06 | 6 | A | 10 | 75 | 4,5 | - |
| DO697B0T07 | 7 | A | 11 | 75 | 4,5 | - |
| DO697B0T08 | 8 | A | 12 | 75 | 4,5 | - |
| DO697B0T10 | 10 | A | 14 | 75 | 5,5 | - |
| DO697B0T12 | 12 | A | 17 | 75 | 5,5 | - |
| DO697B0T13 | 13 | A | 18 | 75 | 5,5 | - |
| DO697B0T14 | 14 | A | 19 | 75 | 5,5 | - |

| SIZE | | | | | | |
|------------------|--------|------|-------|------|-------|---|
| 6-Point magnetic | | | | | | |
| Type | A/F mm | DRWG | D1 mm | L mm | L1 mm | - |
| Metrical | | | | | | |
| DO697B0M06 | 6 | B | 10 | 55 | 4,5 | - |
| DO697B0M08 | 8 | B | 12 | 55 | 4,5 | - |
| DO697B0M10 | 10 | B | 14 | 55 | 5,5 | - |
| DO697B0M12 | 12 | B | 17 | 55 | 5,5 | - |
| DO697B0M13 | 13 | B | 18 | 55 | 5,5 | - |
| DO697B0M14 | 14 | B | 19 | 55 | 5,5 | - |
| DO697B0P06 | 6 | B | 10 | 100 | 4,5 | - |
| DO697B0P08 | 8 | B | 12 | 100 | 4,5 | - |
| DO697B0P10 | 10 | B | 14 | 100 | 5,5 | - |
| DO697B0P12 | 12 | B | 17 | 100 | 5,5 | - |
| DO697B0P13 | 13 | B | 18 | 100 | 5,5 | - |
| DO697B0P14 | 14 | B | 19 | 100 | 5,5 | - |

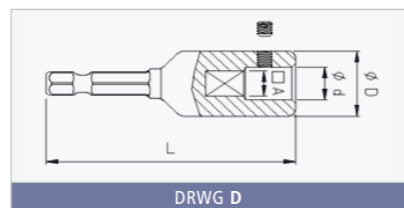
| SIZE | | | | | | |
|-----------------------|--------|------|-------|------|-------|---|
| 6-Point deep magnetic | | | | | | |
| Type | A/F mm | DRWG | D1 mm | L mm | L1 mm | - |
| Metrical | | | | | | |
| DO697B7006 | 6 | C | 10 | 100 | 4,5 | - |
| DO697B7008 | 8 | C | 12 | 100 | 4,5 | - |
| DO697B7010 | 10 | C | 14 | 100 | 5,5 | - |
| DO697B7012 | 12 | C | 17 | 100 | 5,5 | - |
| DO697B7013 | 13 | C | 18 | 100 | 5,5 | - |
| DO697B7014 | 14 | C | 19 | 100 | 5,5 | - |
| DO697B9006 | 6 | C | 10 | 200 | 4,5 | - |
| DO697B9008 | 8 | C | 12 | 200 | 4,5 | - |
| DO697B9010 | 10 | C | 14 | 200 | 5,5 | - |
| DO697B9012 | 12 | C | 17 | 200 | 5,5 | - |
| DO697B9013 | 13 | C | 18 | 200 | 5,5 | - |
| DO697B9014 | 14 | C | 19 | 200 | 5,5 | - |



| SIZE | | | | | | |
|---------------------|------|------|--------|--------|------|---|
| Tap holding sockets | | | | | | |
| Type | A mm | DRWG | Ø d mm | Ø D mm | L mm | - |
| Metrical | | | | | | |
| DO63A65001 | 3,4 | D | 4,5 | 14 | 55 | - |
| DO63A65002 | 4,9 | D | 6,0 | 15 | 55 | - |
| DO63A65003 | 5,5 | D | 7,0 | 16 | 55 | - |
| DO63A65004 | 6,2 | D | 8,0 | 17 | 60 | - |
| DO63A65005 | 7,0 | D | 9,0 | 18 | 70 | - |
| DO63A65006 | 8,0 | D | 10,0 | 19 | 70 | - |
| DO63A65007 | 9,0 | D | 11,0 | 20 | 70 | - |
| DO63A65008 | 9,0 | D | 12,0 | 21 | 70 | - |
| DO63A65009 | 11,0 | D | 14,0 | 23 | 75 | - |



| SIZE | | | | | | |
|-----------------|--------------|-------|------|------|------|---|
| Impact adaptors | | | | | | |
| Type | Square-drive | Hex | DRWG | L mm | D mm | - |
| Metrical | | | | | | |
| DO69306050 | 1/4" | 1/4" | C | 50 | 9 | - |
| DO69306075 | 1/4" | 1/4" | C | 75 | 9 | - |
| DO69306100 | 1/4" | 1/4" | C | 100 | 9 | - |
| DO69306150 | 1/4" | 1/4" | C | 150 | 9 | - |
| DO69316050 | 3/8" | 1/4" | C | 50 | 13 | - |
| DO69316075 | 3/8" | 1/4" | C | 75 | 13 | - |
| DO69316100 | 3/8" | 1/4" | C | 100 | 13 | - |
| DO69318075 | 3/8" | 7/16" | D | 75 | 13 | - |
| DO6932E050 | 1/2" | 1/4" | C | 50 | 17 | - |
| DO69328075 | 1/2" | 7/16" | D | 75 | 17 | - |



(Spring) balancers

Standard model

| Type | Brand | Capacity kg | Cable length m | Weight kg | Hose-diameter mm | Air cons. l/min | Inlet-thread |
|------------|-------|-------------|----------------|-----------|------------------|-----------------|--------------|
| RRI-9001/1 | RRI | 0,5 - 1,5 | 2,0 | 0,5 | - | - | - |
| RRI-9003/1 | RRI | 1,0 - 3,0 | 2,0 | 0,7 | - | - | - |
| EK-00 | RRI | 0,5 - 1,5 | 0,5 | 0,2 | - | - | - |
| EK-0 | RRI | 0,5 - 1,5 | 1,0 | 0,5 | - | - | - |
| TW-3 | RRI | 1,0 - 3,0 | 1,3 | 1,4 | - | - | - |



Hosereel with integrated cable

| Type | Brand | Capacity kg | Cable length m | Weight kg | Hose-diameter mm | Air cons. l/min | Inlet-thread |
|-------|-------|-------------|----------------|-----------|------------------|-----------------|--------------|
| HTB-0 | RRI | 0,5 - 1,5 | 1,3 | 1,58 | 6,5 | 700 | PT 1/4" |
| HTB-1 | RRI | 1,5 - 3,0 | 1,3 | 1,66 | 6,5 | 700 | PT 1/4" |

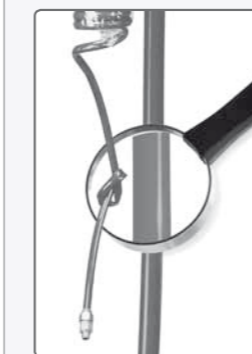


Long stroke

| Type | Brand | Capacity kg | Cable length m | Weight kg | Hose-diameter mm | Air cons. l/min | Inlet-thread |
|-------|-------|-------------|----------------|-----------|------------------|-----------------|--------------|
| ELF-3 | RRI | 1,5 - 3,0 | 2,5 | 4,1 | - | - | - |

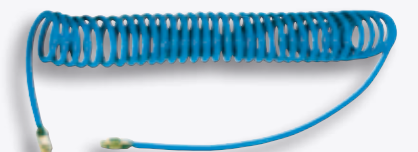
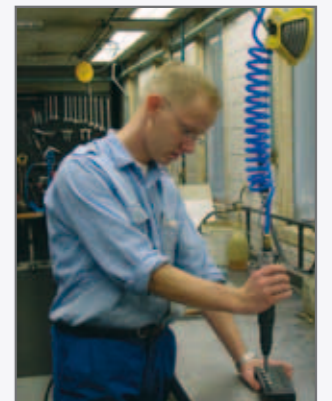
Polyurethane air hoses

| Type | Brand | Working length m | Total length m | Inside diameter mm | Outside diameter mm | Joint connection |
|------------|-------|------------------|----------------|--------------------|---------------------|------------------|
| PT-02510SJ | RR | 2,0 | 2,5 | 6,5 | 9,5 | 1/4" |
| PT-02525SJ | RR | 4,0 | 5,0 | 6,5 | 9,5 | 1/4" |
| PT-02550SJ | RR | 9,0 | 10,0 | 6,5 | 9,5 | 1/4" |



Features

- Both ends executed with universal swivel-joints
- Provided with straight ends from 10 and 50 cm
- Increased flexibility, no kinks after bending
- Max. pressure 8 bar
- Oil and petrol resistant
- Temperature -20°C. up to +60°C
- Swivel executed with ballbearings
- Very well suitable for combination with balancers



Action brochure

Impact sockets for optimal performance and security

Available in the following languages:

English, German, French

Content:

Impact sockets and accessories, Normal/Long, Magnetic/Torx®, Hex Head/12-Point, Surface Drive/Thin wall, Universal joints, Sleeve drive, Impact Socket Sets, Torque/Adaptors, Extension Bars





Red Rooster Air Chain Hoists

AIR CHAIN HOISTS 0,125-100 TONNES
COMPACT, POWERFUL AND SAFE

www.rami-yokota.com

Compact Hoists

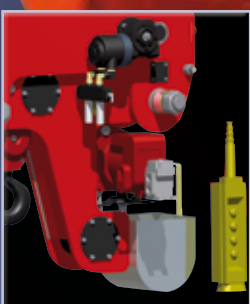
Mini Hoists

Air Chain Hoists

Trolleys

Spark Resistant Hoists

Accessories



TiD-extra
Industrial Technologies d.o.o.

 red rooster

Contents

| | Page |
|--|-----------|
| General information | 3 |
| Red Rooster Ausführung und Anwendung | |
| Compact Hoists | 4 |
| Features | |
| Specs | |
| Dimensions | |
| Mini Air Chain Hoists | 6 |
| Ausführung | |
| Technische Daten | |
| Abmessungen | |
| TCS Air Chain Hoists High Speed | 8 |
| Features | |
| Specs | |
| Dimensions | |
| TCR series 0,25 - 6 tonnes | 10 |
| Features | |
| Specs | |
| Dimensions | |
| TCR series 9 - 100 tonnes | 12 |
| Features | |
| Specs | |
| Dimensions | |
| Air Trolleys 0,125 - 50 tonnes | 14 |
| Specs | |
| Dimensions | |
| Chain buckets | 16 |
| Push & Geared trolleys | 17 |
| Low Redroom hoists | 18 |
| Explosion Proof | 20 |
| Spark Resistant hoists | 21 |
| Accessories | 22 |



Red Rooster Air Chain Hoists

Red Rooster

The Red Rooster Air Chain Hoists are manufactured by Toku Japan. Japanese production stands for high quality, only the best materials are used. All parts are being produced with the smallest tolerances and best suitable heat treatment.


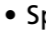
A Red Rooster Air Chain Hoists means A Quality Air Chain Hoists.

Robust

The Red Rooster Air Chain Hoists are very robust and therefore very suitable for intensive use in industrial environments.

The Red Rooster Air Chain Hoists are in use at the most various industries, for example: On- and Offshore, Shipyards, on board of ships, foundry's, paper industry, paint shops, tank cleaning, (petro) chemical industry, galvanizing industry, food industry, automotive industry, construction etc. Humid environment, outside in the field and aggressive atmosphere's. Everywhere where the combination of high performance, reliability and safety is required.

Features Red Rooster Air Chain Hoists

- 100% duty rating
- Variable speed regulation, precise positioning of the load, soft start and stop, no shock movements
- Compact Design, low headroom
- Load limiter built-in from 1 ton (TCR 500 included) without loss of headroom
- Silenced
- Planetgear durable lubricated
- Safety factor 5
- End Stop system automatic at highest and lowest position of the chain
- Chain according EN 818 - 7
- Overload test at 150% of the WLL
- Spark free air motor
- Usable in explosion dangerous areas: CE  II 3 GD c IIA T4
- Spark Resistant versions available for: CE  II 2 GD IIB T4
- Cord control or pendant control with emergency stop
- Temperature range: -10°C till 70°C

Some users

BASF, BP, British Coal, DAF, Eiffage, Herrenknecht, ICI, Leyland, Marathon, Mobil, Pfizer, P&O, Repsol, Rockwater, Shell UK, ThyssenKrupp, Total, Triumph, Unocal and Weatherford.

Compact Hoists for "Material-Handling"

Rooster Compact Hoist are suitable for "Material-Handling". The pendant control is direct on the lower hook so the operator can control and position the load easy and direct. The perfect solution for horizontal movements is the combination with a push trolley.

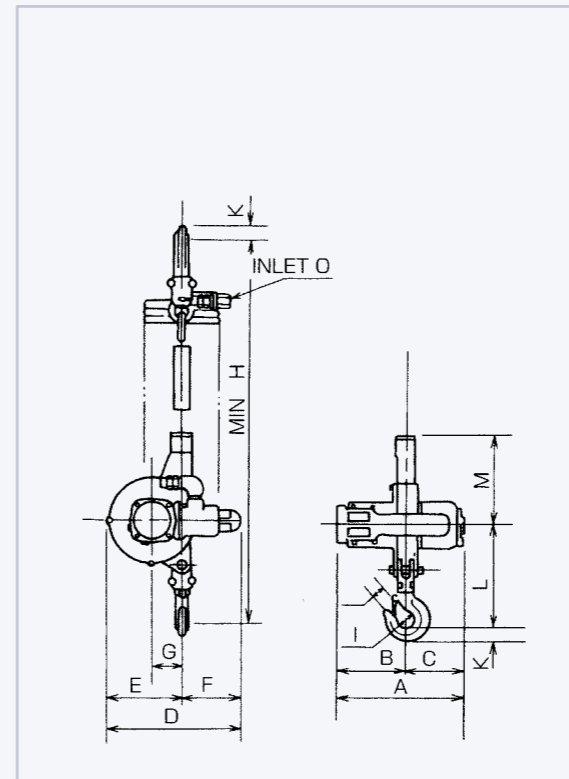
TiD-extra
Industrial Technologies d.o.o.



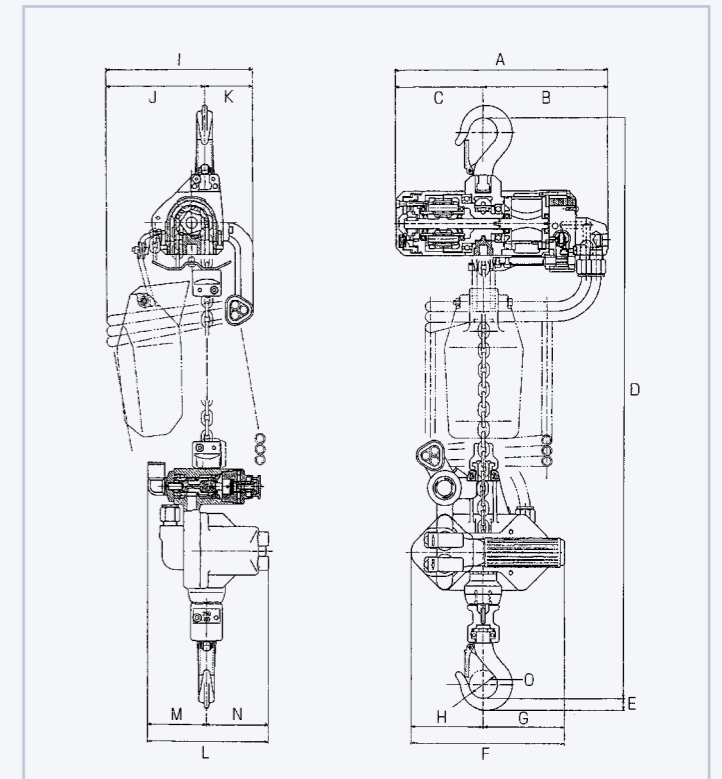
TMM-140AE

TCR-250ME

DIMENSIONS IN MM



TMM-140AE



TCR-250ME

| Type | A mm | B mm | C mm | D mm | E mm | F mm | G mm | H mm | I mm | J mm | K mm | L mm | M mm | N mm | O mm |
|-----------|------|------|------|------|------|------|------|------|------|------|------|------|------|------|---------|
| TMM-140A | 224 | 116 | 108 | 208 | 114 | 94 | 44 | 573 | 36 | - | 15 | 173 | 135 | - | P/T 3/8 |
| TCR-250ME | 286 | 174 | 112 | 837 | 15 | 194 | 102 | 92 | 184 | 123 | 61 | 152 | 74 | 78 | 36 |

TMM-140AE IN USE



HOW TO USE



TMM-140AE

1. Push buttons near the bottom hook.
2. The operator can steer the package with one hand.
3. Better comfort and safety for the operator

FEATURES

- Pendant control direct on the lower hook
- Optimum load control, very precise positioning
- One-hand control
- Variable speed control
- Soft start and stop, no shock movements
- Handle can be positioned for left-hand or right-hand operation
- Endstop system

| Type | Capacity t | Lifting speed full load m/min | Lowering speed full load m/min | Lifting speed without load m/min | Lowering speed without load m/min | Number of chain falls | Air consumption full load l/s | Inlet thread | Hose diameter mm | Weight kg incl. 3 m lift | Load limiter | Air trolley | 4-button control with emergency stop (VTP-4E) | Chain size mm | Chain weight kg/m | Chain bag/chain bucket | SMC air treatment unit |
|-----------|------------|-------------------------------|--------------------------------|----------------------------------|-----------------------------------|-----------------------|-------------------------------|--------------|------------------|--------------------------|--------------|-------------|---|-----------------|-------------------|------------------------|------------------------|
| TMM-140AE | 0,14 | 11,0 | 15 | 15,0 | 11 | 1 (wire-rope) | 8 | PT 3/8" | 13 | 9 | ◇ | + | ◇ | ◇ | ◇ | ◇ | AC30A-F03ET |
| TCR-250ME | 0,25 | 8 | 16 | 19,0 | 13 | 1 | 11,7 | PT 3/8" | 13 | 11 | ◇ | + | ◇ | 4,0 x 12,0 (HD) | 0,35 | * | AC30A-F03ET |

Technical specifications at 0,63 MPa (dynamic airpressure at 6,3 Bar)

* = standard, integrated / + = optional / ◇ = not available

Mini Air Chain Hoists "Light, strong & compact"

The Red Rooster Mini Air Chain Hoists are besides industrial use also very suitable for "Material Handling". Due to the low weight these hoists are very suitable for service applications.

Special for use in tank cleaning installations we recommend stainless steel chain.

TiD-extra
Industrial Technologies d.o.o.



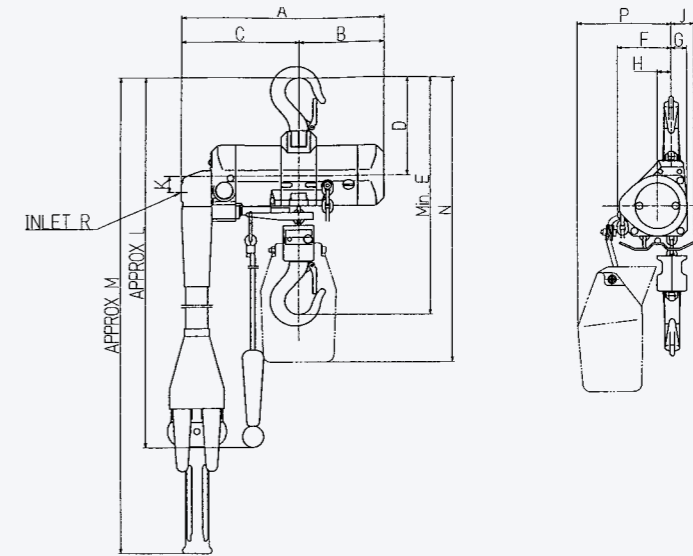
TCR-250DPE

TCR-250C



Trolley's for mini-hoists

DIMENSIONS IN MM



| Type | A mm | B mm | C mm | D mm | E mm | F mm | G mm | H mm | J mm | K mm | L mm | M mm | N mm | P mm | O mm |
|------------------|------|------|------|------|------|------|------|------|------|------|------|------|------|------|---------|
| TCR-125C/250C | 249 | 112 | 137 | 130 | 305 | 71 | 21 | 19 | 833 | - | 1660 | - | 375 | 124 | P/T 3/8 |
| TCR-125DP/250DPE | 286 | 112 | 174 | 130 | 305 | 71 | 21 | 19 | 33 | 21 | - | 2310 | 375 | 124 | P/T 3/8 |
| TCR-500/2C | 249 | 112 | 137 | 130 | 365 | 71 | 45 | 19 | 31 | - | 1700 | - | 375 | 124 | P/T 3/8 |
| TCR-500/2DPE | 286 | 112 | 174 | 130 | 365 | 71 | 45 | 19 | 33 | 21 | - | 2350 | 375 | 124 | P/T 3/8 |

FEATURES

- Low weight and therefore very mobile, easy mounting
- TCR 250 only 7 kg, 3 meter lift included
- Precise variable speed control (cord - and pendant control)
- Very compact design
- Robust aluminium housing
- Air motor is cooled by the exhaust air (internal)
- Cord control or pendant control
- Quiet, low noise level, silenced

CHAIN BAG

TCR-250

| Description | Model | Type | Max. m |
|-------------|-------|-------|--------|
| Chain bag | A | SW-0 | 12 |
| Chain bag | A | SW-00 | 20 |

TCR-500/2

| Description | Model | Type | Max. m |
|-------------|-------|-------|--------|
| Chain bag | A | SW-0 | 6 |
| Chain bag | A | SW-00 | 10 |

TCR-125

| Description | Model | Type | Max. m |
|-------------|-------|-------|--------|
| Chain bag | A | SW-0 | 12 |
| Chain bag | A | SW-00 | 20 |



Chain bag model A

| Type | Capacity t | Lifting speed full load m/min | Lowering speed full load m/min | Lifting speed without load m/min | Lowering speed without load m/min | Number of chain falls | Air consumption full load l/s | Inlet thread | Hose diameter mm | Weight kg incl. 3 m lift | Load limiter | Air trolley | 4-button control with emergency stop (VTP-4E) | Chain size mm | Chain weight kg/m | Chain bag/chain bucket | SMC air treatment unit |
|--------------|------------|-------------------------------|--------------------------------|----------------------------------|-----------------------------------|-----------------------|-------------------------------|--------------|------------------|--------------------------|--------------|-------------|---|---------------|-------------------|------------------------|------------------------|
| TCR-125C | 0,125 | 14 | 16 | 19 | 13 | 1 | 11,7 | PT 3/8" | 13 | 7 | ◇ | + | + | 4 x 12 RTS | 0,35 | + | AC30A-F03ET |
| TCR-125DPE | 0,125 | 12,8 | 14,8 | 17,2 | 13 | 1 | 11,7 | PT 3/8" | 13 | 8,6 | ◇ | + | + | 4 x 12 RTS | 0,35 | + | AC30A-F03ET |
| TCR-250C | 0,25 | 9,3 | 17 | 19,0 | 13 | 1 | 11,7 | PT 3/8" | 13 | 7 | ◇ | + | + | 4 x 12 RTS | 0,35 | + | AC30A-F03ET |
| TCR-250DPE | 0,25 | 8,1 | 15,9 | 17,2 | 13 | 1 | 11,7 | PT 3/8" | 13 | 8,6 | ◇ | + | + | 4 x 12 RTS | 0,35 | + | AC30A-F03ET |
| TCR-500/2C | 0,5 | 4,5 | 8,5 | 9,5 | 6,5 | 2 | 11,7 | PT 3/8" | 13 | 8,5 | ◇ | + | + | 4 x 12 RTS | 0,35 | + | AC30A-F03ET |
| TCR-500/2DPE | 0,5 | 4,5 | 8,5 | 9,5 | 6,5 | 2 | 11,7 | PT 3/8" | 13 | 8,5 | ◇ | + | + | 4 x 12 RTS | 0,35 | + | AC30A-F03ET |

Technical specifications at 0,63 MPa (dynamic airpressure at 6,3 Bar)

* = standard, integrated / + = optional / ◇ not available

TCS Air Chain Hoists "High Speed"

Red Rooster Air Chain Hoists are especially developed for the "Material Handling Industry". For example: warehousing, packaging etc. These hoists have a very high lifting and lowering speed. Therefore they are very suitable for applications with long lifting heights.

TiD-extra
Industrial Technologies d.o.o.

FEATURES

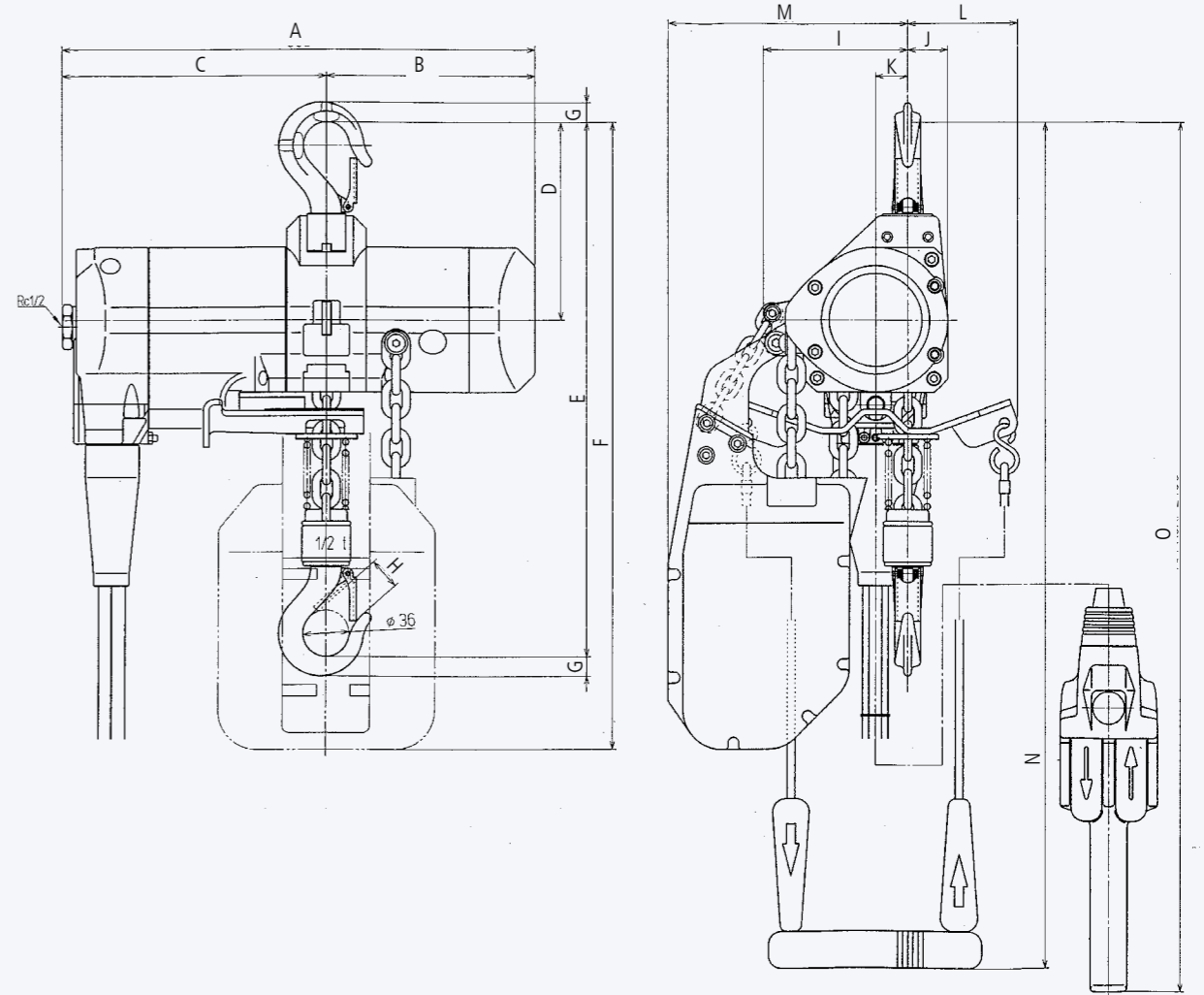
- Very high lifting and lowering speeds
- Maximum speed adjustable, lifting and lowering speed independent from each other
- Precise variable speed control (cord - and pendant control)
- Optimum control of the load, very precise positioning
- Compact and light weight
- Exhaust hose easy to assemble
- Endstop system
- Air motor is cooled by the exhaust air (internal)
- Cord control or pendant control
- Chain bag standard, max. 7 mtr. chain (larger available on request)
- Quiet, low noise level, silenced
- Aluminium housing



TCS-500

TCS-980

DIMENSIONS IN MM



| Type | A mm | B mm | C mm | D mm | E mm | F mm | G mm | H mm | I mm | J mm | K mm | L mm | M mm | N mm | O mm |
|------------|------|------|------|------|------|------|------|------|------|------|------|------|------|------|------|
| TCS-500PE | 365 | 161 | 204 | 151 | 414 | 555 | 15 | 25 | 112 | 31 | 25 | 85 | 197 | - | 2480 |
| TCS-500C | 365 | 161 | 204 | 151 | 414 | 555 | 15 | 25 | 112 | 31 | 25 | 85 | 197 | 1700 | - |
| TCS-980P2E | 365 | 161 | 204 | 173 | 456 | 577 | 29,5 | 29 | 136 | 37 | 49 | 70 | 221 | - | 2500 |
| TCS-980C2 | 365 | 161 | 204 | 173 | 456 | 577 | 29,5 | 29 | 136 | 37 | 49 | 70 | 221 | 1720 | - |

| Type | Capacity t | Lifting speed full load m/min | Lowering speed full load m/min | Lifting speed without load m/min | Lowering speed without load m/min | Number of chain falls | Air consumption full load l/s | Inlet thread | Hose diameter mm | Weight kg incl. 3 m lift | Load limiter | Air trolley | 4-button control with emergency stop (VTP-4E) | Chain size mm | Chain weight kg/m | Chain bag/chain bucket | SMC air treatment unit |
|----------------|------------|-------------------------------|--------------------------------|----------------------------------|-----------------------------------|-----------------------|-------------------------------|--------------|------------------|--------------------------|--------------|-------------|---|---------------|-------------------|------------------------|------------------------|
| TCS-500 C/PE | 0,5 | 17 | 43 | 33 | 19 | 1 | 33 | PT 1/2" | 13 | 15,9 | ◇ | + | + | 6,3 x 19,1 | 0,9 | + | AC40A-F04ET |
| TCS-980/2 C/PE | 0,99 | 8,5 | 21,5 | 16,5 | 9,5 | 2 | 33 | PT 1/2" | 13 | 16,8 | ◇ | + | + | 6,3 x 19,1 | 0,9 | + | AC40A-F04ET |

Technical specifications at 0,63 MPa (dynamic airpressure at 6,3 Bar)

* = standard, integrated / + = optional / ◇ = not available

TCR series 0,25 - 6 tonnes

These Red Rooster Air Chain Hoists are especially developed for heavy industrial use. Robust cast steel body. Valveblock same for all models, less spare parts. Standard with load limiter.

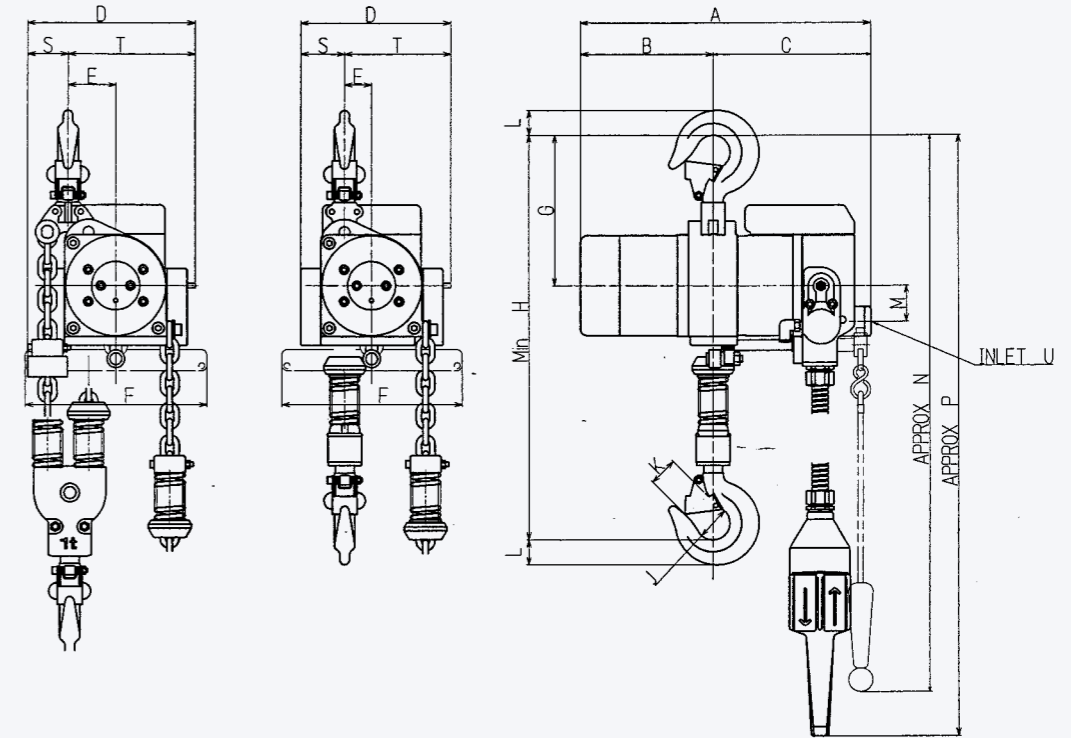
TiD-extra
Industrial Technologies d.o.o.



TCR-1000 C

TCR-3000PE

DIMENSIONS IN MM



| Type | A mm | B mm | C mm | D mm | E mm | F mm | G mm | H mm | J mm | K mm | L mm | M mm | N mm | P mm | S mm | T mm | U mm |
|---------------|------|------|------|------|------|------|------|------|------|------|------|------|------|------|------|------|-------|
| TCR-250/500PE | 342 | 156 | 186 | 149 | 32 | - | 177 | 462 | 40 | 29 | 29 | 42 | - | 2620 | 52 | 124 | Rc1/2 |
| TCR-250/500C | 342 | 156 | 186 | 149 | 32 | 212 | 177 | 426 | 40 | 29 | 29 | 42 | 1860 | - | 52 | 124 | Rc1/2 |
| TCR-1000P2E | 342 | 156 | 186 | 180 | 56 | - | 177 | 519 | 40 | 29 | 29 | 42 | - | 2620 | 47 | 148 | Rc1/2 |
| TCR-1000C2 | 342 | 156 | 186 | 180 | 56 | 212 | 177 | 519 | 40 | 29 | 29 | 42 | 1860 | - | 47 | 148 | Rc1/2 |
| TCR-1000PE | 342 | 156 | 186 | 157 | 32 | - | 177 | 466 | 40 | 29 | 29 | 42 | - | 2620 | 40 | 124 | 124 |
| TCR-1000C | 342 | 156 | 186 | 157 | 32 | 212 | 177 | 486 | 40 | 29 | 29 | 42 | 1860 | - | 40 | 124 | Rc1/2 |
| TCR-2000P2E | 342 | 156 | 186 | 194 | 59 | - | 211 | 580 | 45 | 29 | 37 | 42 | - | 2650 | 50 | 152 | Rc1/2 |
| TCR-2000C2 | 342 | 156 | 186 | 194 | 59 | 212 | 211 | 580 | 45 | 29 | 37 | 42 | 1890 | - | 50 | 152 | Rc1/2 |
| TCR-3000PE | 449 | 202 | 247 | 245 | 43 | - | 249 | 563 | 50 | 34 | 45 | 42 | - | 2690 | 47 | 176 | Rc1/2 |
| TCR-3000C | 449 | 202 | 247 | 245 | 43 | 212 | 249 | 563 | 50 | 34 | 45 | 42 | 1930 | - | 47 | 176 | Rc1/2 |
| TCR-6000P2E | 449 | 202 | 247 | 275 | 87 | - | 275 | 690 | 65 | 42 | 49 | 42 | - | 2720 | 63 | 220 | Rc1/2 |
| TCR-6000C2 | 449 | 202 | 247 | 275 | 87 | 212 | 275 | 690 | 65 | 42 | 49 | 42 | 1960 | - | 63 | 220 | Rc1/2 |

FEATURES

- Precise variable speed control (cord- and pendant control)
- Optimum control of the load, very precise positioning
- Compact design
- Endstop system
- Load limiter built-in without loss of headroom
- Cord control or pendant control
- Quiet, low noise level, silenced
- Air pressure 0,4 - 0,63 MPa (4 - 6,3 Bar)

CHAIN BUCKETS

For chain buckets see page 16.



| Type | Capacity t | Lifting speed full load m/min | Lowering speed full load m/min | Lifting speed without load m/min | Lowering speed without load m/min | Number of chain falls | Air consumption full load l/s | Inlet thread | Hose diameter mm | Weight kg incl. 3 m lift | Load limiter | Air trolley | 4-button control with emergency stop (VTP-4E) | Chain size mm | Chain weight kg/m | Chain bag/chain bucket | SMC air treatment unit |
|-----------------|------------|-------------------------------|--------------------------------|----------------------------------|-----------------------------------|-----------------------|-------------------------------|--------------|------------------|--------------------------|--------------|-------------|---|---------------|-------------------|------------------------|------------------------|
| TCR-600250 C/PE | 0,25 | 10,5 | 17,9 | 20,5 | 13,4 | 1 | 25 | PT 1/2" | 13 | 31 | * | + | + | 6,3 x 19,1 | 0,9 | + | AC40A-F04ET |
| TCR-500 C/PE | 0,5 | 10,5 | 17,9 | 20,5 | 13,4 | 1 | 25 | PT 1/2" | 13 | 31 | * | + | + | 6,3 x 19,1 | 0,9 | + | AC40A-F04ET |
| TCR-1000/2 C/PE | 1 | 5,3 | 9,0 | 10,3 | 6,7 | 2 | 25 | PT 1/2" | 13 | 34 | * | + | + | 6,3 x 19,1 | 0,9 | + | AC40A-F04ET |
| TCR-1000 C/PE | 1 | 6,0 | 10,3 | 11,3 | 6,8 | 1 | 25 | PT 1/2" | 13 | 35 | * | + | + | 7,1 x 21 | 1,1 | + | AC40A-F04ET |
| TCR-2000/2 C/PE | 2 | 3,0 | 5,2 | 5,7 | 3,4 | 2 | 25 | PT 1/2" | 13 | 40 | * | + | + | 7,1 x 21 | 1,1 | + | AC40A-F04ET |
| TCR-3000 C/PE | 3 | 2,8 | 4,6 | 5,4 | 3,3 | 1 | 33 | PT 1/2" | 19 | 69 | * | + | + | 11,2 x 34 | 2,2 | + | AC40A-F04ET |
| TCR-6000/2 C/PE | 6 | 1,4 | 2,3 | 2,7 | 1,7 | 2 | 33 | PT 1/2" | 19 | 90 | * | + | + | 11,2 x 34 | 2,2 | + | AC40A-F04ET |

Technical specifications at 0,63 MPa (dynamic airpressure at 6,3 Bar)

* = standard, integrated / + = optional / ◊ = not available

TCR/RRI series 9 - 100 tonnes

These Red Rooster TCR series 9-100 tonnes Air Chain Hoists are especially developed for heavy industrial applications. Robust cast steel body. Standard with load limiter.

TiD-extra
Industrial Technologies d.o.o.



RRI-610040

RRI-625040

FEATURES

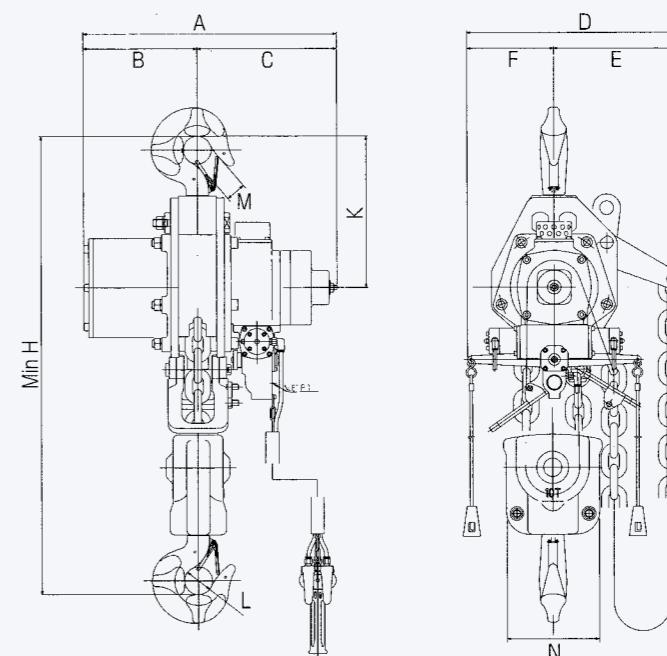
- Precise variable speed control (Cord - and pendant control)
- Optimum control of the load, very precise positioning
- Compact design
- Endstop system
- Load limiter built-in without loss of head-room
- Cord control or pendant control
- Quiet, low noise level, silenced
- Air pressure 0,4 - 0,63 MPa (4 - 6,3 Bar)

Shackle version:

Low head room, low weight and simple assembly.

Capacity's up until 100 tonnes on request, such as: 40, 60 or 100 tonnes.

DIMENSIONS IN MM



| Type | A mm | B mm | C mm | E mm | F mm | H mm | L & M mm |
|-------------|------|------|------|------|------|------|----------|
| RRI-9000/3 | 449 | 202 | 247 | 222 | 155 | 842 | 50 |
| RRI-610040 | 560 | 247 | 302 | 280 | 165 | 890 | 40 |
| RRI-1200/4 | 441 | 191 | 250 | 310 | 210 | 900 | 57 |
| RRI-15000/5 | 441 | 191 | 250 | 270 | 210 | 950 | 83 |
| RRI-615060 | 549 | 247 | 302 | 290 | 180 | 1250 | 85 |
| RRI-620080 | 549 | 247 | 302 | 30 | 200 | 1350 | 100 |
| RRI-625040 | 710 | 335 | 346 | 313 | 165 | 1440 | 80 |
| RRI-625100 | 549 | 247 | 302 | 360 | 165 | 1378 | 80 |
| RRI-635060 | 710 | 335 | 346 | 400 | 250 | 1550 | 100 |
| RRI-635080 | 710 | 335 | 346 | 350 | 250 | 1980 | 100 |
| RRI-650080 | 710 | 335 | 346 | 350 | 250 | 1505 | - |

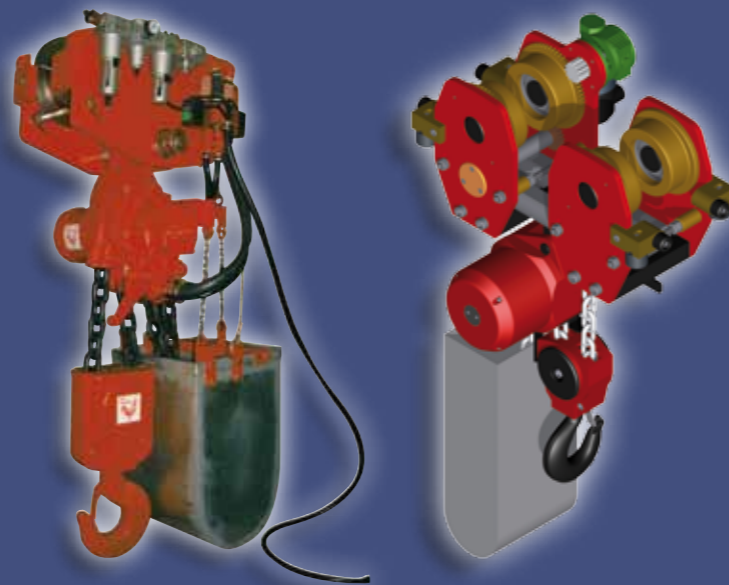
| Type | Capacity t | Lifting speed full load m/min | Lowering speed full load m/min | Lifting speed without load m/min | Lowering speed without load m/min | Number of chain falls | Air consumption full load l/s | Inlet thread | Hose diameter mm | Weight kg incl. 3 m lift | Load limiter | Air trolley | 4-button control with emergency stop (VTP-4E) | Chain size mm | Chain weight kg/m | Chain bag/chain bucket | SMC air treatment unit |
|-------------------|------------|-------------------------------|--------------------------------|----------------------------------|-----------------------------------|-----------------------|-------------------------------|--------------|------------------|--------------------------|--------------|-------------|---|---------------|-------------------|------------------------|------------------------|
| TCR-9000/3* | 9 | 0,95 | 1,6 | 1,8 | 1,1 | 3 | 33 | PT 1/2" | 19 | 150 | * | + | + | 11,2 x 34 | 2,2 | + | AC40A-F04ET |
| RRI-610040 C/PE | 10 | 1,5 | 2,3 | 2,2 | 1,8 | 2 | 90 | PT 1" | 25 | 190 | * | + | + | 16 x 45 | 5,0 | + | AC50-F06ET |
| TCR-12000/4 C/PE* | 12 | 0,7 | 1,2 | 1,4 | 0,8 | 4 | 33 | PT 1/2" | 19 | 170 | * | + | + | 11,2 x 34 | 2,2 | + | AC40A-F04ET |
| TCR-15000/5 C/PE* | 15 | 0,6 | 0,9 | 1,1 | 0,7 | 5 | 33 | PT 1/2" | 19 | 221 | * | + | + | 11,2 x 34 | 2,2 | + | AC40A-F04ET |
| RRI-615060 C/PE* | 15 | 1,0 | 1,5 | 1,7 | 1,2 | 3 | 90 | PT 1" | 25 | 190 | * | + | + | 16 x 45 | 5,0 | + | AC50-F06ET |
| RRI-620080 C/PE* | 20 | 0,8 | 1,2 | 1,2 | 0,9 | 4 | 90 | PT 1" | 25 | 470 | * | + | + | 16 x 45 | 5,0 | + | AC50-F06ET |
| RRI-625040 C/PE | 25 | 0,5 | 0,7 | 0,7 | 0,5 | 2 | 120 | PT 1" | 25 | 320 | * | + | + | 22 x 66 | 10,0 | + | AC60-F10ET |
| RRI-625100 C/PE* | 25 | 0,6 | 0,9 | 0,9 | 0,7 | 5 | 90 | PT 1" | 25 | 455 | * | + | + | 16 x 45 | 5,0 | + | AC50-F06ET |
| RRI-635060 C/PE* | 37,5 | 0,3 | 0,5 | 0,5 | 0,3 | 3 | 120 | PT 1" | 25 | 850 | * | + | + | 22 x 66 | 10,0 | + | AC60-F10ET |
| RRI-650080 C/PE* | 50 | 0,25 | 0,35 | 0,35 | 0,25 | 4 | 120 | PT 1" | 25 | 1.100 | * | + | + | 22 x 66 | 10,0 | + | AC60-F10ET |
| RRI-675120 C/PE* | 75 | 0,2 | 0,2 | 0,2 | 0,2 | 6 | 120 | PT 1" | 25 | 1.500 | * | + | + | 22 x 66 | 10,0 | + | AC60-F10ET |

* On request: available in shackle version
Technical specifications at 0,63 MPa (dynamic airpressure at 6,3 Bar)

* = standard, integrated / + = optional / ◇ = not available

Air Trolleys 0,125 - 50 tonnes

All air trolleys can be supplied as Spark Resistant version, Type number with additional "SR" (order number will be: ATPSR...). Spark resistant version is Category 2 (Zone 1 and Zone 21). Trolley's for hoists up to 100 ton are available on request.



RRI-625040

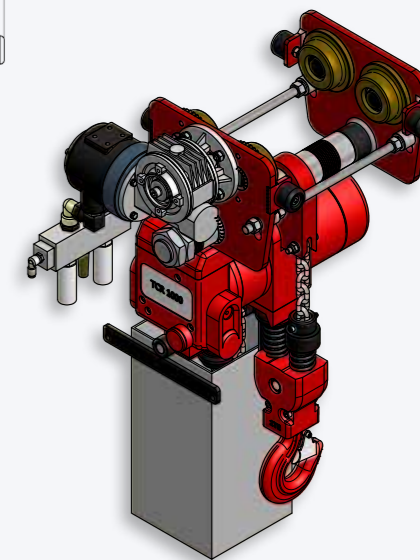
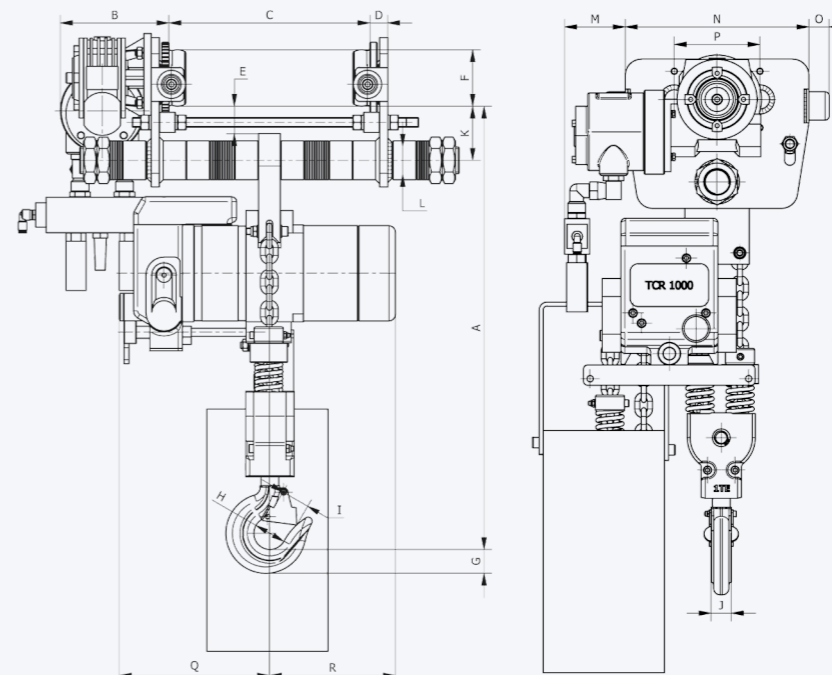
Hoist with trolley

| For hoists | Capacity t | Type | Flange width mm | Trav. speed full load m/min | Min. bend radius m | Number of wheels | Driven wheels | Air consumption full load l/s | Inlet thread |
|-------------|------------|---------------|-----------------|-----------------------------|--------------------|------------------|---------------|-------------------------------|--------------|
| TCR-125 | 0,125 | ATP-600250/1 | 57 - 170 | 0 - 9,5 | 1,5 | 4 | 2 | 13 | PT 1/2" |
| TCR-250 | 0,25 | ATP-600250/1 | 57 - 170 | 0 - 9,5 | 1,5 | 4 | 2 | 13 | PT 1/2" |
| TCR-500/2 | 0,5 | ATP-600250/1 | 57 - 170 | 0 - 9,5 | 1,5 | 4 | 2 | 13 | PT 1/2" |
| TCR-600250 | 0,5 | ATP-600250/1 | 57 - 170 | 0 - 9,5 | 1,5 | 4 | 2 | 25 | PT 1/2" |
| TCR-500 | 0,5 | ATP-600520/2 | 171 - 310 | 0 - 9,5 | 1,5 | 4 | 2 | 25 | PT 1/2" |
| TCS-500 | 0,5 | ATP-600520/2 | 171 - 310 | 0 - 9,5 | 1,5 | 4 | 2 | 25 | PT 1/2" |
| TCR-1000/2 | 1 | ATP-601040/1 | 57 - 170 | 0 - 9,5 | 1,5 | 4 | 2 | 25 | PT 1/2" |
| TCR-1000 | 1 | ATP-601040/2 | 171 - 310 | 0 - 9,5 | 1,5 | 4 | 2 | 25 | PT 1/2" |
| TCR-2000/2 | 2 | ATP-602040/1 | 57 - 170 | 0 - 9,5 | 1,5 | 4 | 2 | 25 | PT 1/2" |
| TCR-2000/2 | 2 | ATP-602040/2 | 171 - 310 | 0 - 9,5 | 1,5 | 4 | 2 | 25 | PT 1/2" |
| TCR-3000 | 3 | ATP-603020/1 | 66 - 150 | 0 - 9,5 | 2 | 4 | 2 | 50 | PT 3/4" |
| TCR-3000 | 3 | ATP-603020/2 | 155 - 300 | 0 - 9,5 | 2 | 4 | 2 | 50 | PT 3/4" |
| TCR-6000/2 | 6 | ATP-606040/1 | 82 - 170 | 0 - 9,5 | 2,5 | 4 | 2 | 50 | PT 3/4" |
| TCR-6000/2 | 6 | ATP-606040/2 | 171-300 | 0 - 9,5 | 2,5 | 4 | 2 | 50 | PT 3/4" |
| RRI-610040 | 10 | ATP-610040/1 | 110 - 190 | 0 - 9,5 | 2,5 | 4 | 2 | 50 | PT 3/4" |
| RRI-610040 | 10 | ATP-610040/2 | 191 - 300 | 0 - 9,5 | 2,5 | 4 | 2 | 50 | PT 3/4" |
| TCR-9000/3 | 9 & 12 | ATP-612060/1 | 110 - 190 | 0 - 9,5 | 2,5 | 4 | 2 | 50 | PT 3/4" |
| TCR-12000/4 | 9 & 12 | ATP-612080/2 | 191 - 300 | 0 - 9,5 | 2,5 | 4 | 2 | 50 | PT 3/4" |
| TCR-15000/5 | 15 | ATP-6150100/1 | 110 - 190 | 0 - 6,3 | 3 | 4 | 2 | 50 | PT 1" |
| RRI-615060 | 15 | ATP-6150100/2 | 190 - 300 | 0 - 6,3 | 3 | 4 | 2 | 50 | PT 1" |
| RRI-620080 | 20 & 25 | ATP-625080/1 | 150 - 190 | 0 - 4,0 | 3 | 4 | 2 | 50 | PT 1" |
| RRI-625040 | 20 & 25 | ATP-625040/1 | 191 - 300 | 0 - 4,0 | 3 | 4 | 2 | 50 | PT 1" |
| RRI-620080 | 20 & 25 | ATP-620080/1 | 150 - 190 | 0 - 9,5 | * | 8 | 4 | 100 | PT 1" |
| RRI-625040 | 20 & 25 | ATP-625040/2 | 191 - 300 | 0 - 9,5 | * | 8 | 4 | 100 | PT 1" |
| RRI-635060 | 35 | ATP-635060/1 | 140 - 190 | 0 - 4,0 | * | 8 | 4 | 100 | PT 1 1/4" |
| RRI-635060 | 35 | ATP-635060/2 | 200 - 300 | 0 - 4,0 | * | 8 | 4 | 100 | PT 1 1/4" |
| RRI-650080 | 50 | ATP-650080/1 | 140 - 190 | 0 - 4,0 | * | 8 | 4 | 100 | PT 1 1/4" |
| RRI-650080 | 50 | ATP-650080/2 | 200 - 300 | 0 - 4,0 | * | 8 | 4 | 100 | PT 1 1/4" |
| RRI-650080 | 50 | ATP-650080/1 | 140 - 190 | 0 - 6,3 | * | 16 | 8 | 200 | PT 1 1/2" |
| RRI-650080 | 50 | ATP-650080/2 | 200 - 300 | 0 - 6,3 | * | 16 | 8 | 200 | PT 1 1/2" |

* only straight beam
Technical specifications at 0,63 MPa (dynamic airpressure at 6,3 Bar)

Temperature range: -10°C up to 50°C
Note: Other beam sizes and air trolley's for smaller radius are available on request.

DIMENSIONS IN MM



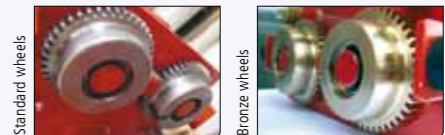
TCR-1000 with ATP-601040/2

| Trolley type | For hoists | A mm | B mm | C mm | D mm | E mm | F mm | G mm | H mm | I mm | J mm | K mm | L mm | M mm | N mm | O mm | P mm | Q mm | R mm | |
|--------------|-------------|-------|------|------|------|------|------|------|------|------|------|------------|------|------|------|------|------|------|------|--|
| ATP-600250/1 | TCR-125 | ----- | | | | | | | | | | on request | | | | | | | | |
| ATP-600250/1 | TCR-250 | ----- | | | | | | | | | | on request | | | | | | | | |
| ATP-600250/1 | TCR-500/2 | ----- | | | | | | | | | | on request | | | | | | | | |
| ATP-600520 | TCR-600250 | ----- | | | | | | | | | | on request | | | | | | | | |
| ATP-600520 | TCR-500 | 498 | 135 | 249 | 22 | 27 | 70 | 30 | 40 | 36 | 25 | 67 | 33 | 75 | 227 | 25 | 106 | 185 | 157 | |
| ATP-600520 | TCS-500 | ----- | | | | | | | | | | on request | | | | | | | | |
| ATP-601040 | TCR-1000/2 | 549 | 135 | 249 | 22 | 34 | 70 | 29 | 40 | 29 | 25 | 67 | 35 | 75 | 227 | 25 | 106 | 186 | 156 | |
| ATP-601020 | TCR-1000 | 534 | 135 | 249 | 22 | 27 | 70 | 29 | 40 | 29 | 25 | 67 | 35 | 75 | 227 | 25 | 106 | 186 | 156 | |
| ATP-602040 | TCR-2000/2 | 610 | 135 | 249 | 22 | 34 | 70 | 37 | 45 | 29 | 30 | 67 | 35 | 75 | 227 | 25 | 106 | 186 | 156 | |
| ATP-603020 | TCR-3000 | 639 | 137 | 249 | 24 | 55 | 100 | 45 | 50 | 34 | 35 | 100 | 35 | 29 | 320 | 25 | 148 | 247 | 202 | |
| ATP-606040 | TCR-6000 | 717 | 145 | 279 | 32 | 55 | 150 | 49 | 65 | 42 | 42 | 100 | 45 | 25 | 460 | 25 | 216 | 247 | 202 | |
| ATP-612040 | TCR-9000/3 | 940 | 223 | 284 | 37 | 55 | 150 | 60 | 75 | 53 | 42 | 100 | 45 | 59 | 460 | 25 | 216 | 247 | 202 | |
| ATP-610040 | RRI-610040 | 904 | 223 | 284 | 37 | 50 | 150 | 62 | 60 | 40 | 60 | 100 | 45 | 59 | 460 | 49 | 219 | 313 | 249 | |
| ATP-612080 | TCR-12000/4 | 940 | 223 | 284 | 37 | 55 | 150 | 67 | 84 | 58 | 52 | 100 | 45 | 59 | 460 | 25 | 216 | 202 | 247 | |
| ATP-615100 | TCR-15000/5 | 1170 | 251 | 274 | 35 | 43 | 180 | 67 | 84 | 58 | 52 | 110 | 50 | 56 | 530 | 25 | 252 | 211 | 238 | |
| ATP-615060 | RRI-615060 | 1121 | 251 | 274 | 35 | 43 | 180 | 67 | 84 | 58 | 52 | 110 | 50 | 56 | 530 | 25 | 252 | 313 | 249 | |
| ATP-625040 | RRI-620080 | ----- | | | | | | | | | | on request | | | | | | | | |
| ATP-625040 | RRI-625040 | ----- | | | | | | | | | | on request | | | | | | | | |
| ATP-620080 | RRI-620080 | 1215 | 223 | 284 | 37 | 45 | 150 | 80 | 110 | 78 | 64 | 100 | 45 | 59 | 940 | 69 | 480 | 313 | 249 | |
| ATP-620080 | RRI-625040 | 1375 | 223 | 284 | 37 | 45 | 150 | 103 | 125 | 80 | 70 | 100 | 45 | 59 | 940 | 25 | 480 | 346 | 366 | |
| ATP-635060 | RRI-635060 | 1685 | 251 | 208 | 35 | 35 | 180 | 118 | 140 | 100 | 95 | 110 | 50 | 53 | 1018 | 25 | 550 | 346 | 366 | |
| ATP-650080 | RRI-650080 | 2087 | 268 | 306 | 57 | 40 | 240 | 132 | 140 | 100 | 106 | 120 | 60 | 25 | 1920 | 25 | 1100 | 346 | 366 | |
| ATP-650080 | RRI-650080 | 2107 | 251 | 274 | 35 | 50 | 180 | 132 | 140 | 100 | 106 | 110 | 50 | 56 | 2180 | 25 | 1650 | 346 | 366 | |

GOOD TO KNOW

All Red Rooster trolleys can be adjusted to various flange sizes and versions. The wheels have closed for life lubricated bearings and are driven by a worm-gear. The powerfull vane motor and the closed gearbox features a fine speed control and brake function. Anti- drop plates are standard.

Optional:
Rack and pinion drive, pneumatic end stop and rotating hangereye (for ship applications and "BOP Handling System" Off-shore).



Standard the trolleys are equipped wheels of casting steel. Spark resistant version have bronze wheels and rubber end stoppers.

Chain buckets

CHAIN BUCKETS

TiD-extra
Industrial Technologies d.o.o.



| Description | Model | TCR-600250 | | TCR-500 | | TCR-1000/2 | | TCR-1000 | |
|--------------|-------|--------------|--------|--------------|--------|--------------|--------|--------------|--------|
| | | Type | Max. m | Type | Max. m | Type | Max. m | Type | Max. m |
| Chain bag | A | SW1 | 14 | SW1 | 14 | SW1 | 7 | SW2 | 10 |
| Chain bucket | B | GB-600520/6 | 6 | GB-600520/6 | 6 | GB-601040/3 | 3 | GB-601020/3 | 3 |
| Chain bucket | B | GB-600520/12 | 12 | GB-600520/12 | 12 | GB-601040/6 | 6 | GB-601020/6 | 6 |
| Chain bucket | B | GB-600520/18 | 18 | GB-600520/18 | 18 | GB-601040/9 | 9 | GB-601020/9 | 9 |
| Chain bucket | B | GB-600520/24 | 24 | GB-600520/24 | 24 | GB-601040/12 | 12 | GB-601020/12 | 12 |
| Chain bucket | B | GB-600520/30 | 30 | GB-600520/30 | 30 | GB-601040/15 | 15 | GB-601020/15 | 15 |
| Chain bucket | B | GB-600520/36 | 36 | GB-600520/36 | 36 | GB-601040/18 | 18 | GB-601020/18 | 18 |

| Description | Model | TCR-2000/2 | | TCR-3000 | | TCR-6000/2 | |
|--------------|-------|--------------|--------|--------------|--------|--------------|--------|
| | | Type | Max. m | Type | Max. m | Type | Max. m |
| Chain bucket | A | SW2 | 5 | KAON3 | 6 | - | - |
| Chain bucket | B | GB-602040/3 | 3 | GB-603020/3 | 3 | GB-606040/3 | 3 |
| Chain bucket | B | GB-602040/6 | 6 | GB-603020/6 | 6 | GB-606040/6 | 6 |
| Chain bucket | B | GB-602040/8 | 8 | GB-603020/8 | 8 | GB-606040/8 | 8 |
| Chain bucket | B | GB-602040/12 | 12 | GB-603020/12 | 12 | GB-606040/12 | 12 |
| Chain bucket | B | GB-602040/15 | 15 | GB-603020/15 | 15 | GB-606040/15 | 15 |
| Chain bucket | B | GB-602040/18 | 18 | GB-603020/18 | 18 | GB-606040/18 | 18 |

Push & Geared trolleys

These trolleys for air chain hoists are available up to 10 ton capacity. Standard as hook-in version and on request as build-in version.

FEATURES

- 4 wheels (2 driven)
- Good weight/capacity ratio
- Steel or bronze wheels
- Wheels for parallel and conical beam flanges
- Heavy duty closed bearings
- 2 Ranges of beam sizes, bigger sizes on request
- Precision wheels
- Anti drop plates
- Rubber end stopper (spark resistant version)

Trolley's

These trolleys for air chain hoists are available up to 10 ton capacity. Standard as hook-in version and on request as build-in version.

Optional

- Spark resistant version (Category 2, Zone 1 and Zone 21)
- Marine paint (with certificate)
- Special corrosion protection
- Low head room version
- Other special version on request

DIMENSIONS PUSH TROLLEY'S AND GEARED TROLLEYS PT & GT

| Type PT | Type GT | For hoists | Flange range 1 | Flange range 2 | A | B | C PT | C GT | Min. band radius | Type PT weight kg | Type GT weight kg |
|-----------|-----------|---------------|----------------|----------------|-----|-----|-------|-------|------------------|-------------------|-------------------|
| PT-600250 | GT-600250 | TCR 250, 500 | 64 - 140 | 171 - 300 | 107 | 212 | 148,5 | 198,5 | 1,0 | 7 | 14 |
| PT-600520 | GT-600520 | TCR 250, 500C | 64 - 140 | 171 - 300 | 107 | 212 | 148,5 | 198,5 | 1,0 | 7 | 14 |
| PT-601040 | GT-601040 | TCR-1000C2 | 64 - 140 | 171 - 300 | 117 | 255 | 231,5 | 231,5 | 1,0 | 12 | 19 |
| PT-601020 | GT-601020 | TCR-1000C | 64 - 140 | 171 - 300 | 117 | 255 | 231,5 | 231,5 | 1,0 | 12 | 19 |
| PT-602040 | GT-602040 | TCR-2000C2 | 76 - 165 | 171 - 300 | 137 | 302 | 278 | 278 | 1,1 | 22 | 29 |
| PT-603020 | GT-603020 | TCR-3000C | 76 - 203 | 155 - 300 | 157 | 344 | 378 | 378 | 1,3 | 30 | 40 |
| PT-606040 | GT-606040 | TCR-6000C | 82 - 170 | - on request - | 216 | 460 | 215 | 215 | 2,05 | 48 | 62 |
| PT-609060 | GT-609060 | TCR-9000/3 | 110 - 190 | - on request - | 216 | 460 | 275 | 275 | 2,05 | 60 | 84 |
| PT-610040 | GT-610040 | RRI-610040 | 110 - 190 | - on request - | 216 | 460 | 275 | 275 | 2,05 | 60 | 84 |

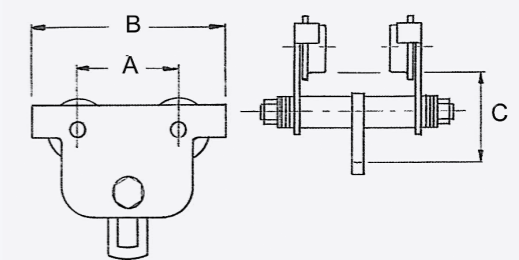
Note: Other beam sizes are available on request. Capacity and dimensions are the same for spark resistant versions. Ordernumber with additional "SR" will be: PTSR.../GTSR...



Push trolley PT



Geared trolley GT

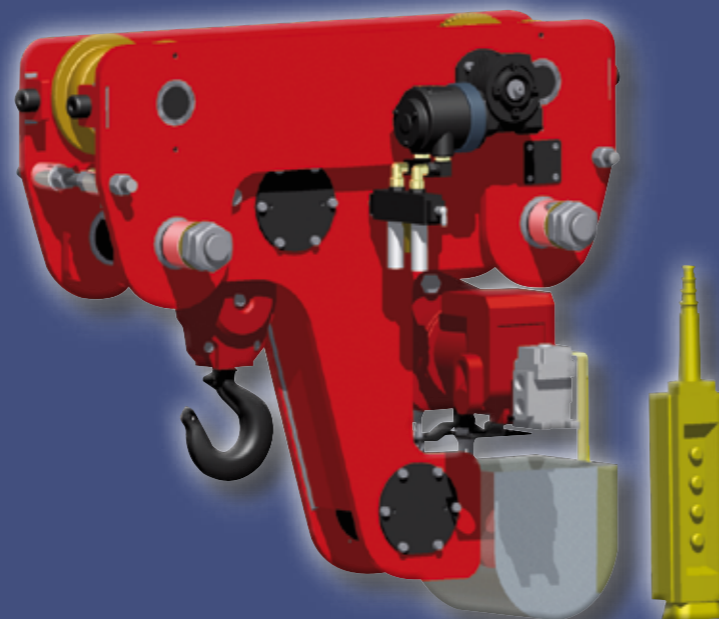


Low Headroom Hoists

STANDARD

With the LHATP series we introduce a new range of trolley's for those applications where a standard trolley headroom is too large.

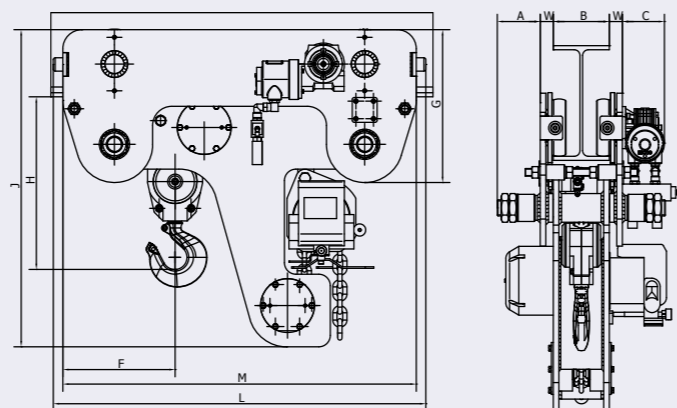
With this special version the hoist is built into the frame of the trolley to decrease the distance of the lower hook to the beam to an absolute minimum.



Low headroom
6 Tonnen

New: LHATP low headroom hoists
The trolley for applications for limited head room.
Capacity: 2 - 12 ton

DIMENSIONS IN MM



| Type | A mm | C mm | F mm | G mm | H mm | J mm | L mm | M mm | W mm |
|-------------|------|------|------|------|------|------|-------|-------|------|
| LHATP-2000 | 115 | 140 | 138 | 245 | 333 | 656 | 570 | 520 | 27 |
| LHATP-3000 | 115 | 140 | 294 | 400 | 370 | 830 | 975 | 925 | 35 |
| LHATP-6000 | 115 | 140 | 294 | 400 | 475 | 830 | 975 | 925 | 35 |
| LHATP-12000 | 160 | 160 | 398 | 425 | 609 | 873 | 1.235 | 1.185 | 40 |

FEATURES

- State of the art with new drive motor for the trolley
- Low maintenance and wearing of the drive motor through less parts
- Accurate speed control at lifting and lowering
- Accurate speed control of the trolley
- Adjustable to a range of beam sizes

The low head room trolley's are available as standard version (order- number LHATP...) or as spark resistant version with bronze wheels, bronze coated hooks for explosion dangerous areas (order number LHATPSR) with Atex certificate.

Optional

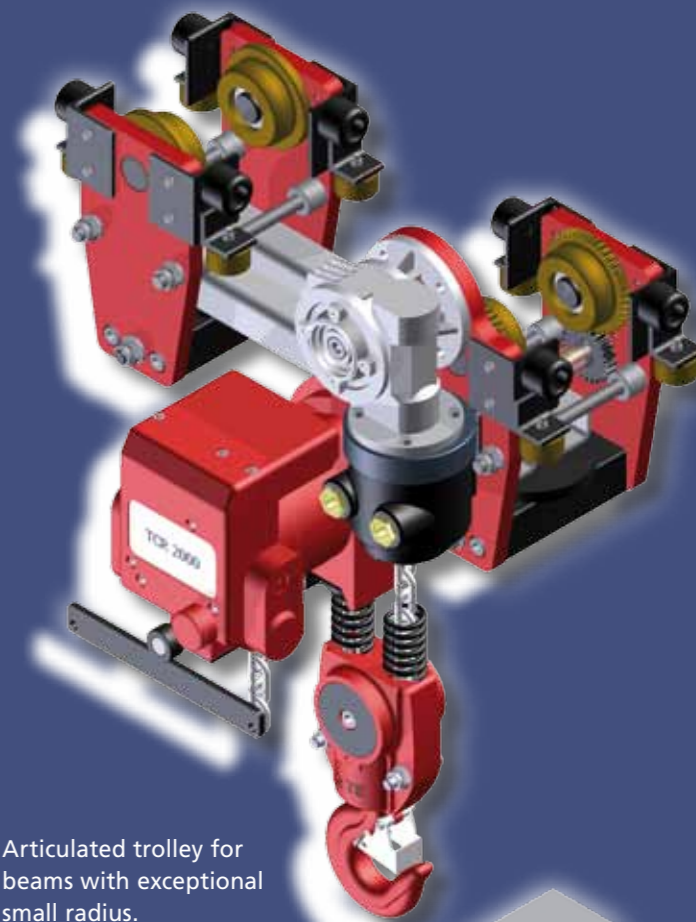
- Rack and pinion drive
- Marine paint (with certificate)

Red Rooster Specials

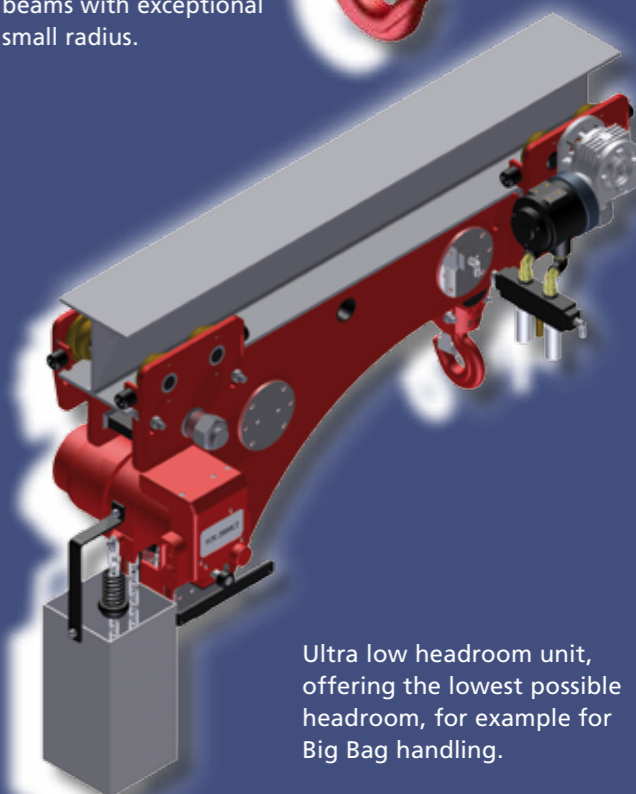
Apart from the wide variety of standard Red Rooster air chain hoists and trolleys in this catalogue that are fit for most purposes and applications, Red Rooster also offers special solutions.

Most of the specifications we can adjust to your specific demands. If the Red Rooster standard does not fit your purpose, please enquire for a tailor made solution.

For example we can do special capacities, like a 5 tonnes single fall, or a 60 tonnes hoist. We can deliver the trolley with a beam brake, or rack and pinion drive. In opposite two examples.



Articulated trolley for beams with exceptional small radius.



Ultra low headroom unit, offering the lowest possible headroom, for example for Big Bag handling.

ATEX

The Red Rooster Air Chain Hoists are very suitable to be used in explosion dangerous areas because air does not generate sparks (on the contrary to electricity). Red Rooster Spark Resistant Air Chain hoists are very economical, and supplied at very competitive prices.

In various industries like (petro) chemical industry, oil/gas industry, offshore, power plants, mining, food industry and many other industries an explosion dangerous atmosphere can arise during processing, transporting or warehousing due to gas, vapor or dust.



TCR-2000/2 + ATPSR602040/1

For explosion dangerous areas/atmospheres, the European Directive 99/92/EG (Atex 137) is in force. The area/atmosphere must be classified and scaled in the specific Category (Zone) according to this Directive.

For tools/machines/equipment, the European Directive 94/9/EG (Atex 95) is in force.

CLASSIFICATION
RED ROOSTER AIR CHAIN HOISTS

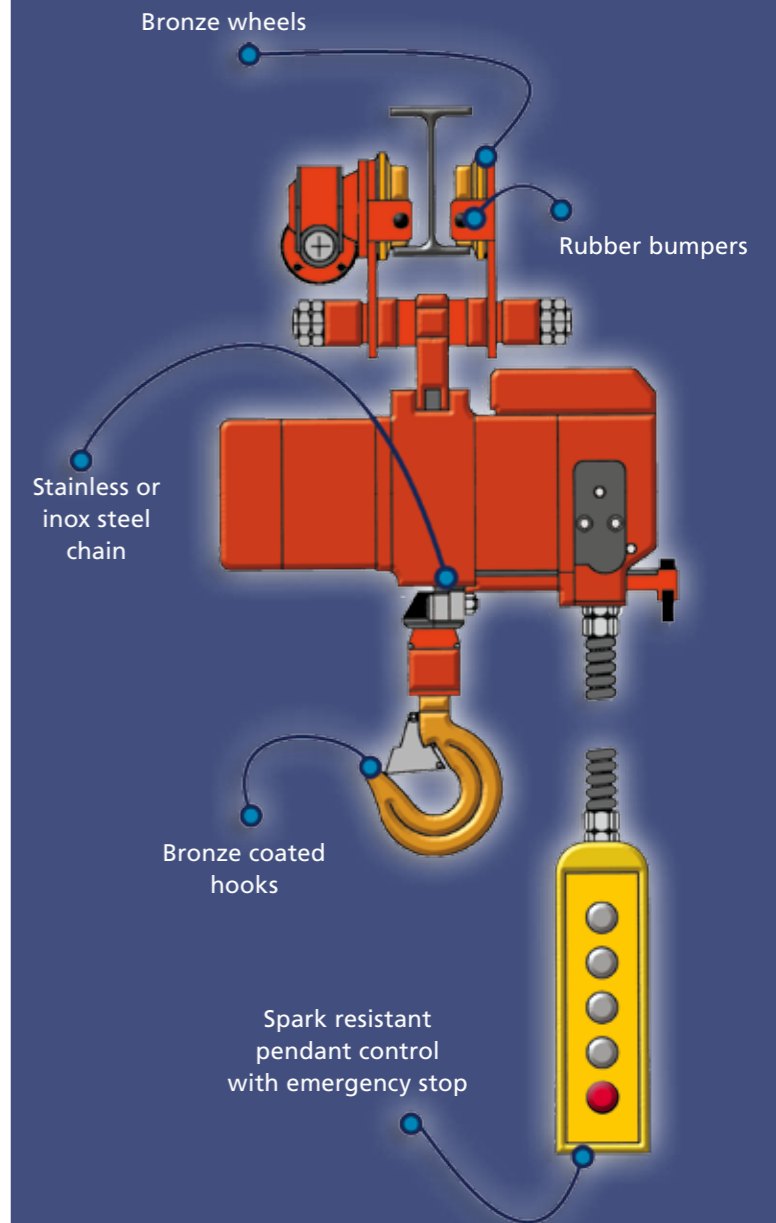
| | Standard Version | Extra protection | Increased protection for IIC |
|-------------------------------------|----------------------|--------------------|------------------------------|
| Trolleys Air powered | CE II 3 GD c IIA T4 | CE II 2 GD IIB T4 | CE II 2 GD IIC T4 |
| Trolleys Push/Geared | CE II 3 GD c IIA T4 | CE II 2 GD IIB T4 | - |
| TCR Mini hoists | CE II 3 GD c IIA T4 | CE II 2 GD IIB T4 | - |
| TCS series | CE II 3 GD c IIA T4 | CE II 2 GD IIB T4 | - |
| TCR 500-15000 / RRI 610040 - 675120 | CE II 3 GD c IIA T4 | CE II 2 GD IIB T4 | CE II 2 GD IIC T4 |

II = Equipment category, non mining
3 = category 3 (zone 2, zone 22)
2 = category 2 (zone 1, zone 21)
GD = Gas and Dust

IIA = Explosion group, Propane
IIB = Explosion group, Ethylene
IIC = Explosion group, Hydrogen/Acetylene
T4 = temperature class (135° Celcius)

Spark Resistant hoists

Our spark resistant hoists are widely used in a.o. the On and Off-shore, (petro)chemical industry, mining, paint industry, paint spraying, chemical production and -storage, pharmaceutical industry and tank-cleaning.



FEATURES

Red Rooster spark resistant hoists are executed with:

- Bronze coated hooks (copper plated sprockets on request)
- Stainless or inox steel chain
- Spark resistant pendant control with emergency stop
- Heavy Duty rubber collision bumpers on trolley
- Bronze wheels on trolley

All hoists and trolleys are on request available with:

- Marine paint, with or without certificate
- Standard Off-shore paint
- Special Off-shore paint
- Norsok certified paint finish

Accessories

WHICH CHAIN TO USE

Red Rooster hoists are standard supplied with a galvanized chain according to EN-818-7. If the hoist is intensively operated, constantly max. loaded, or used for rental jobs, we advise to use the higher quality chain. A Heavy Duty chain has a much higher resistance against wear.

| Standard | Heavy Duty |
|------------|--------------|
| - | 4,0 x 12,0 S |
| 6,3 x 19,1 | 6.3 x 19,1 S |
| 7,1 x 21 | 7,1 x 21 S |
| 11,2 x 34 | 11,2 x 34 S |
| 16 x 45 | 16 x 45 S |
| 22 x 66 | 22 x 66 S |



Lubrication of the chain can increase the life-time by 10 times!

AIR TREATMENT

For a faultless, perfect function of the Red Rooster air chain hoists the compressed air must be clean, dry and lubricated. Therefore we always quote the correct SMC FRL unit.

AC series - combination of AF (filter), AR (regulator), AL (lubricator) and pressure gauge

| Type | Brand | Port size | NI/min | Filter µm | Air pressure | Bowl |
|-------------|-------|-----------|--------|-----------|--------------|--------------|
| AC30A-F03ET | SMC | 3/8" | 1.700 | 5 | 0,05 - 0,85 | Polycarbonat |
| AC40A-F03ET | SMC | 1/2" | 3.000 | 5 | 0,05 - 0,85 | Polycarbonat |
| AC40A-F03ET | SMC | 3/4" | 4.500 | 5 | 0,05 - 0,85 | Polycarbonat |
| AC50-F06ET | SMC | 3/4" | 5.000 | 5 | 0,05 - 0,85 | Polycarbonat |
| AC60-F10ET | SMC | 1" | 7.000 | 5 | 0,05 - 0,85 | Polycarbonat |



AC



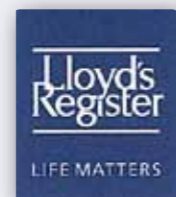
AW-30A/AW-40A

LLOYDS REGISTER



Germanischer Lloyd

All Red Rooster air chain hoists can be delivered with a "Germanischer Lloyd Prüfzertifikat". The hoist are tested at 150% of the W.L.L.



Lloyd's Register

Auf Wunsch auch mit Lloyds Register Zertifikat.



DET NORSKE VERITAS

All Red Rooster air chain hoists can be delivered with a "DET NORSKE VERITAS Test Certificate". The hoist are tested at 150% of the W.L.L.

Accessories

CONTROLS

The Red Rooster Air Chain Hoists are standard supplied with 2 meter cord control or 2 meter pendant control. Other lengths on request.



Pendant control:

The new polycarbonate pendant control with emergency Stop is impact proof, spark resistant and has a superb speed control.



Cord control:

The cords control direct the valve and therefore a perfect stepless variable speed control.



4 button pendant control:

This 4 button control with emergency stop is to control an air chain hoist with air pressure motorized trolley.

TESTING

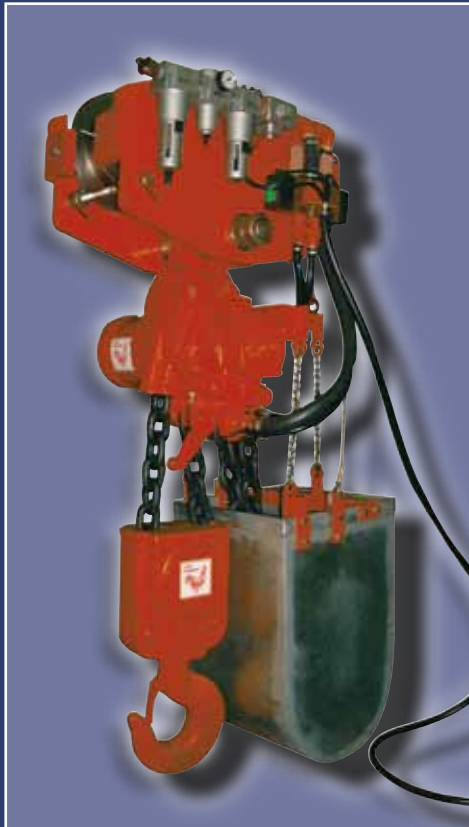
Rami Yokota BV has, in it's professional workshop, a dynamic test rig. This test rig is calibrated and certified according the European standard NEN - EN 818.

With this dynamic test rig, we can test all our hoist models at 150% overload, it is a dynamic test and this is the heaviest condition for testing incorporating the dynamic effects that a load can put on the hoist.



Red Rooster Rentals

0,125 - 50 tonnes



In close cooperation with our distribution network we are able to supply rentals for all your lifting demands. Hereby an overview of the rental equipment that is available from the different depots:

| Air hoists | |
|------------|----------------|
| Capacity | Height of lift |
| 0,5 T | 100 m |
| 1 T | 100 m |
| 2 T | 50 m |
| 3 t | 100 m |
| 6 T | 50 m |
| 9 T | 33 m |
| 10 T | 50 m |
| 12 T | 25 m |
| 15 T | 33 m |
| 20 T | 25 m |
| 25 T | 50 m |
| 35 T | 33 m |
| 50 T | 25 m |

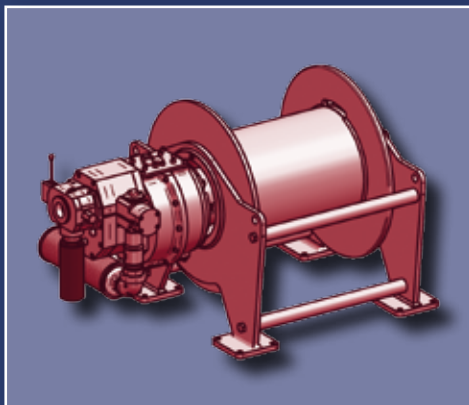
| Air trolleys | |
|--------------|--------------|
| Capacity | Flange up to |
| 0,5T / 2T | 300 mm |
| 3 T | 300 mm |
| 6 T | 300 mm |
| 10 T | 300 mm |
| 15 T | 300 mm |
| 20 T | 300 mm |
| 25 T | 300 mm |
| 35 T | 310 mm |
| 50 t | 310 mm |

We have some very long chains for an extended HOL (we have thousands of mtrs in stock)

Wider flanges are available as specials.
Spark resistant models are available for most sizes.
We also have special low headroom units from 1T up to 20T.



Load links
From 500 Kg to 400T.
Remote indicating with cable or telemetry.



Load Shackles
From 50T to 500T.
Remote indicating with cable.

Compression Load cells
Single cells from 5T to 400T.
Set of 4 x 20T cells to a readout up to 4 x 400T cells.

Running Line Monitors
From 13 mm wire up to 75 mm wire rope. With load, line out, and line speed indication.

Winches
Various sizes of winches from 500 Kg up to 10T.
Man riding winches SWL 500 Kg.
Wire Rope spoolers.
We have a limited amount of winches of different sizes.

Red Rooster Air Winches 0,2-3,5 tonnes

RED ROOSTER AIR WINCHES
ARE CUSTOM MADE PRODUCTS

www.rami-yokota.com

Choosing a winch

Many constructions are possible, and there are many norms and selection criteria for choosing a winch.

Applications

Hoisting and pulling of various equipment and loads on ships, offshore, shipyards etc. For manrider winches, please send your enquiry.

Optional

- Silencers
- Air treatment unit, consisting of filter, regulator and lubricator

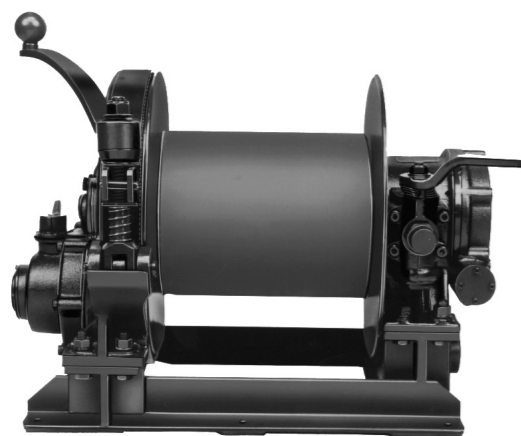
Electric winches

Please contact us!

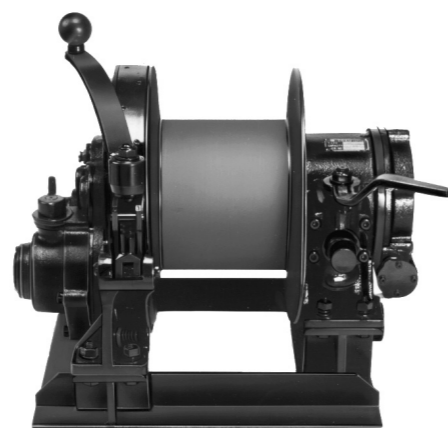


Winches

RRI-series - standard pneumatic winches



RRI-702000



RRI-700500

Standard winches, RRI-series

- Vane type motor
- Standard band brake and automatic brake
- Free-wheel
- Very compact design as air motors are partially contained inside the drums
- Rugged but lightweight construction
- Easy installation and removal
- Safety type throttle provides flexible speed control, shuts off automatically when released
- All steel

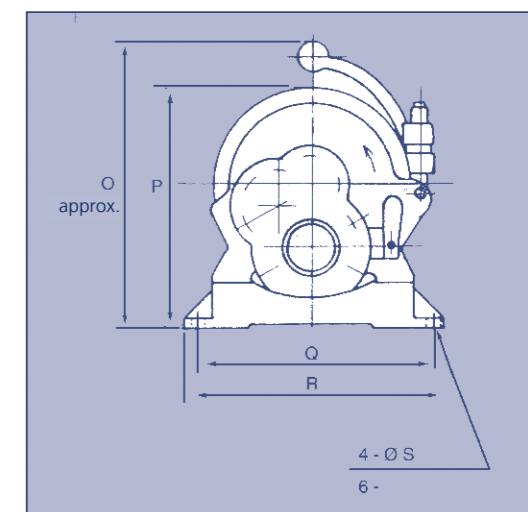
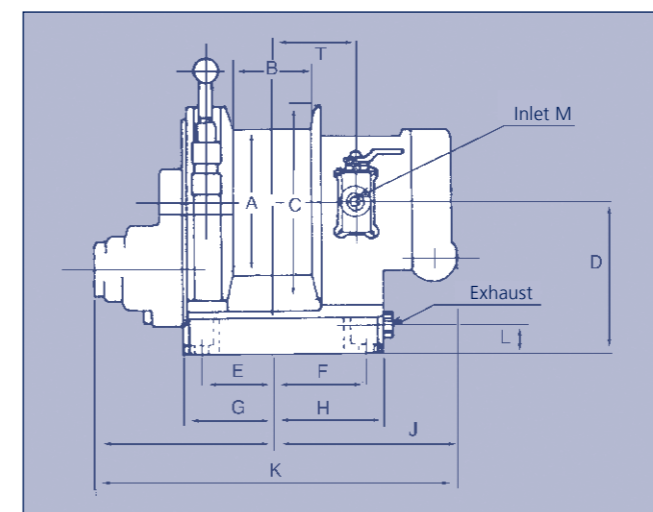
Application

Pulling of various equipment and loads on ships, offshore, shipyards etc.

On request

- Silencers
- FRL air treatment, filter-regulator-lubrication

Dimensions



Dimensions RRI-series

| Type | A mm | B mm | C mm | D mm | E mm | F mm | G mm | H mm | I mm | J mm | K mm | L mm | O mm | P mm | Q mm | R mm | S mm | T mm |
|------------|------|------|------|------|------|------|------|------|------|------|------|------|------|------|------|------|------|------|
| RRI-700500 | 180 | 150 | 308 | 225 | 200 | 160 | 220 | 180 | 255 | 219 | 474 | 58 | 455 | 379 | 310 | 350 | 14 | 124 |
| RRI-701000 | 200 | 243 | 340 | 225 | 254 | 208 | 270 | 226 | 317 | 266 | 583 | 58 | 475 | 395 | 310 | 350 | 14 | 171 |
| RRI-701500 | 200 | 243 | 340 | 225 | 254 | 208 | 270 | 226 | 317 | 266 | 583 | 58 | 475 | 395 | 310 | 350 | 14 | 171 |
| RRI-702000 | 300 | 236 | 460 | 286 | 250 | 206 | 270 | 226 | 317 | 266 | 583 | 58 | 587 | 516 | 420 | 460 | 14 | 171 |

RRI-series

| Type | Brand | Capacity t | Drive | Cable length m | Cable diameter mm | Cable speed m/min | Air-consumption l/sec | Weight without cable kg | Hose diameter mm |
|------------|-------|------------|-------------|----------------|-------------------|-------------------|-----------------------|-------------------------|------------------|
| RRI-700500 | RRI | 0,5 | Pneumatisch | 100 | 8 | 20 | 57 | 70 | 19 |
| RRI-701000 | RRI | 1,0 | Pneumatisch | 100 | 10 | 6,7 | 57 | 80 | 19 |
| RRI-701500 | RRI | 1,5 | Pneumatisch | 80 | 12 | 5,5 | 57 | 88 | 19 |
| RRI-702000 | RRI | 2,0 | Pneumatisch | 65 | 16 | 5,0 | 70 | 130 | 19 |

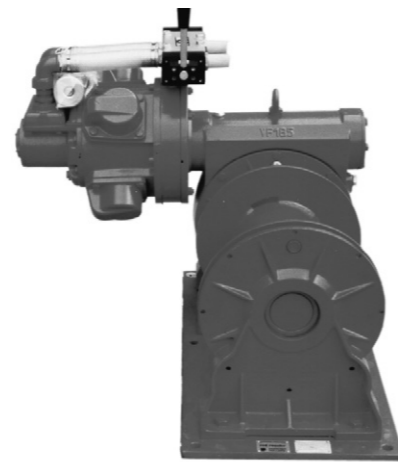
Winches

LV-series pneumatic wormgear winches

For pneumatic with applications demanding light weight construction, this range of explosion proof winches provides the solution. The use of van type motors and inherently safe self braking worm gears ensures trouble free operation and low maintenance is required. These winches find their use in general industry, oil and gas exploration, and in many places where compact explosion proof hoisting gear is required.

The range includes two fast speed types, the LV-256 and LV-508, which also have optional carrying handles, and slower speed types up to 2000 kg lifting capacity.

The self braking characteristics of the worm gear drive combined with closed ports is sufficient for almost all hoisting purposes. For accurate positioning of a load an additional brake may be necessary. Please consult our sales department in this case.



LV-series

LV-serie

| Type | Brand | Capacity 1st. layer kg | Capacity 3st. layer kg | Cable diameter mm | Speed 1ste. layer m/min | Speed 1st. layer m | Drum cap. 3rd. layer m | Air cons. l/sec | pressure drop bar |
|---------|-------|------------------------|------------------------|-------------------|-------------------------|--------------------|------------------------|-----------------|-------------------|
| LV 256 | RRI | 250 | 200 | 5 | 12 | 10 | 32 | 45 | 6 |
| LV 508 | RRI | 500 | 400 | 7 | 12 | 6 | 22 | 80 | 6 |
| LV 425 | RRI | 425 | 350 | 6 | 5 | 10 | 32 | 35 | 6 |
| LV 750 | RRI | 750 | 600 | 8 | 5,5 | 7 | 25 | 65 | 6 |
| LV 1250 | RRI | 1.250 | 1.000 | 10 | 6 | 11 | 36 | 95 | 6 |
| LV 2000 | RRI | 2.000 | 1.550 | 13 | 6 | 11 | 38 | 125 | 6 |

Standard features

- Self braking worm gear transmission
- Rotary van motor
- Steel drum (not grooved) with cable fixing point at flange
- Two drum supports
- Single layer 1 component conservation (colour BS 20 medium blue)

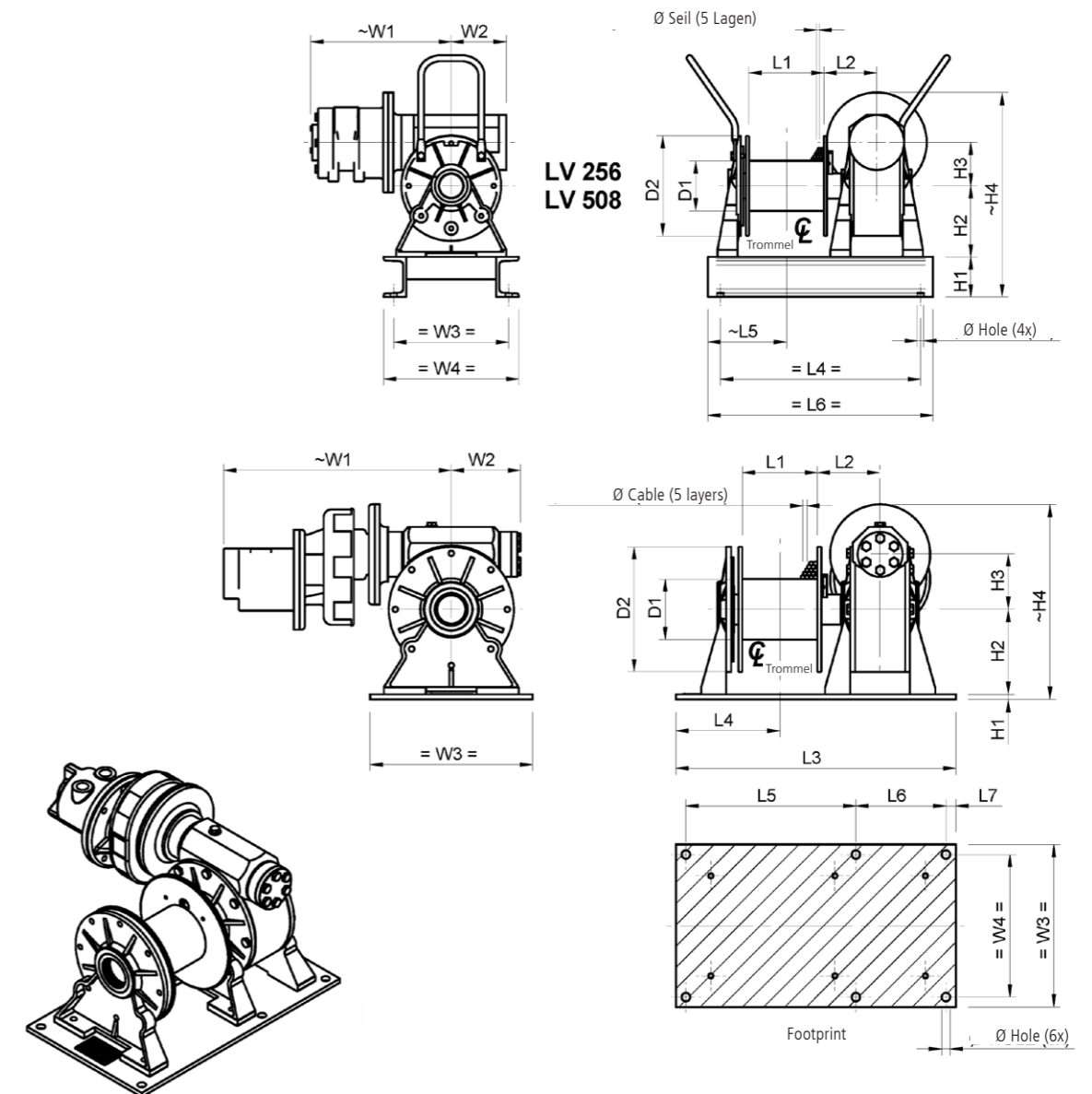
Options

- Manual disengaging clutch
- Brand brake, manual or automatic fail safe
- Grooved drum
- Drum pressure roller
- Alternative speeds
- Alternative drum dimensions / split drums / additional rope anchors, etc.
- Motor position vertically up
- Drum guard
- Emergency cranking
- Marine / offshore coating system

Available control options

- Proportional control valve, local or remote
- Pneumatic limit switch
- Pneumatic slack wire switch

Dimensions



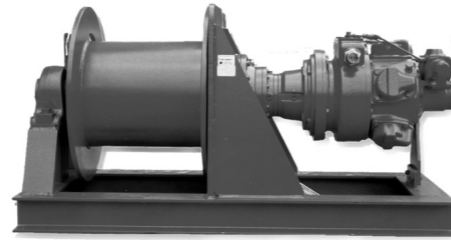
Dimensions LV-series

| Type | Weight kg | D1 mm | D2 mm | L1 mm | L2 mm | L3 mm | L4 mm | L5 mm | L6 mm | L7 mm | H1 mm | H2 mm | H3 mm | H4 mm | W1 mm | W2 mm | W3 mm | W4 mm | Loch-Ø |
|---------|-----------|-------|-------|-------|-------|-------|-------|-------|-------|-------|-------|-------|-------|-------|-------|-------|-------|-------|--------|
| LV-256 | 58 | 100 | 200 | 150 | 105,5 | 450 | 157 | 400 | - | - | 80 | 142 | 86,9 | 408,9 | 278 | 110 | 270 | 230 | 13 |
| LV-425 | 59 | 100 | 200 | 150 | 105,5 | 500 | 186 | 320 | 150 | 15 | 10 | 142 | 86,9 | 408,9 | 374 | 110 | 270 | 240 | 13 |
| LV-508 | 65 | 100 | 200 | 150 | 105,5 | 450 | 157 | 400 | - | - | 80 | 142 | 86,9 | 408,9 | 281 | 110 | 270 | 230 | 13 |
| LV-750 | 93 | 121 | 250 | 150 | 125,5 | 560 | 208 | 340 | 180 | 20 | 10 | 170 | 110 | 390 | 455 | 132 | 325 | 285 | 17 |
| LV-1250 | 149 | 159 | 280 | 200 | 146,5 | 640 | 232,5 | 415 | 185 | 20 | 15 | 195 | 130 | 440 | 490 | 154,3 | 370 | 320 | 17 |
| LV-2000 | 192 | 178 | 320 | 250 | 155 | 710 | 265 | 470 | 200 | 20 | 15 | 220 | 150 | 510 | 609 | 154 | 410 | 360 | 17 |

Winches

SB-series - standard build planetary winches

The standard build SB type winch provides the basis of the solution to many pulling and lifting winch applications. The winch is constructed in the conventional manner with motor, gearbox and drum in line. This range of capacities can go up to 70 tonnes lifting capacity. Although the name of the winch indicates different, these winches are very suitable to fit to your specific winch application. Many options can be offered on these highly versatile winches.



SB-series

SB-series

| Type | Brand | Capacity 1st. layer kg | Capacity 5th. layer kg | Cable diameter mm | Speed 1st. layer m/min | Speed 5th. layer m/min | Drum cap. 1e layer m | Drum cap. 5e layer m | Motor power kW | Oil pressure bar | Air cons. l/sec |
|----------|-------|------------------------|------------------------|-------------------|------------------------|------------------------|----------------------|----------------------|----------------|------------------|-----------------|
| SB-300 E | RRI | 1.200 | 860 | 10 | 7 | 9 | 32 | 190 | 1,5 | - | - |
| SB-301 E | RRI | 2.100 | 1.400 | 12 | 7 | 10 | 27 | 167 | 3 | - | - |
| SB-303 E | RRI | 2.500 | 1.700 | 15 | 8 | 12 | 27 | 167 | 4 | - | - |
| SB-304 E | RRI | 3.100 | 2.160 | 14 | 9 | 13 | - | 165 | 5,5 | - | - |
| SB-305 E | RRI | 4.000 | 2.850 | 16 | 8 | 11 | 31 | 186 | 5,5 | - | - |
| SB-306 E | RRI | 5.500 | 3.970 | 18 | 12 | 17 | 32 | 194 | 11 | - | - |
| SB-307 E | RRI | 7.000 | 4.950 | 22 | 12 | 17 | 31 | 184 | 15 | - | - |
| SB-309 E | RRI | 9.000 | 6.300 | 26 | 14 | 19 | 29 | 176 | 22 | - | - |
| SB-310 E | RRI | 13.000 | 8.950 | 28 | 9 | 13 | 28 | 171 | 22 | - | - |
| SB-311 E | RRI | 16.000 | 10.660 | 34 | 10 | 15 | 25 | 157 | 30 | - | - |
| SB-313 E | RRI | 20.000 | 13.600 | 38 | 6 | 8 | 27 | 160 | 22 | - | - |
| SB-314 E | RRI | 24.000 | 16.170 | 40 | 6,5 | 9,5 | - | 154 | 30 | - | - |
| SB-315 E | RRI | 32.000 | 21.700 | 48 | 7 | 11 | 26 | 156 | 45 | - | - |
| SB-303 H | RRI | 2.500 | 1.700 | 15 | 20 | 29 | 27 | 167 | 9 | 130 | 50 |
| SB-304 H | RRI | 3.100 | 2.160 | 14 | 15 | - | - | 165 | - | - | - |
| SB-305 H | RRI | 4.000 | 2.850 | 16 | 26 | 37 | 31 | 186 | 19 | 215 | 55 |
| SB-306 H | RRI | 5.500 | 3.970 | 18 | 27 | 37 | 32 | 194 | 27 | 215 | 80 |
| SB-307 H | RRI | 7.000 | 4.950 | 22 | 30 | 42 | 29 | 184 | 39 | 185 | 130 |
| SB-309 H | RRI | 9.500 | 6.630 | 26 | 26 | 37 | 29 | 176 | 45 | 225 | 125 |
| SB-310 H | RRI | 13.000 | 8.950 | 28 | 12 | 18 | 28 | 171 | 30 | 200 | 55 |
| SB-311 H | RRI | 14.000 | 9.700 | 32 | 10 | 15 | 25 | 157 | 30 | 210 | 115 |
| SB-313 H | RRI | 20.000 | 13.600 | 38 | 10 | 15 | 27 | 160 | 38 | 170 | 120 |
| SB-314 H | RRI | 24.000 | 16.170 | 40 | 8 | - | - | 154 | - | - | - |
| SB-315 H | RRI | 32.000 | 21.700 | 48 | 8 | 12 | 26 | 156 | 50 | 190 | 160 |

Standard features

- Heavy Duty planetary gearbox
- **SB E:** IP54 aluminium braked motor 400 VAC / 3 phase / 50 Hz. (440VAC/ 3 phase / 60Hz)
- **SB H:** orbit of radial piston type hydraulic motor, complete with brake valve
- **SB LPR:** radial piston type air motor complete with hand control valve and mufflers
- Steel drum with cable fixing point at flange-
- Two drum supports
- Single layer 1 component conservation, (colour BS 20 medium blue)

Options

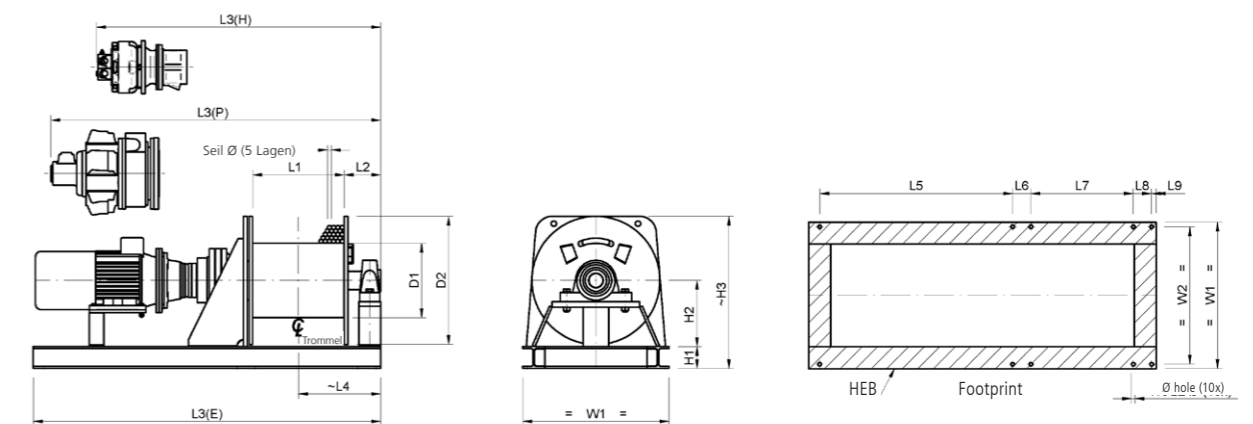
- IP56 TENV cast iron motor for marine applications
- Explosion proof motors
- Protection steel motor cover
- Drum pressure roller
- Drum guard
- Manual disengaging clutch
- Band brake, manual or automatic fail safe
- Grooved drum
- Alternative speeds
- Alternative drum dimensions/split drums/additional rope anchors, etc.
- Marine/offshore coating

Available control options

- Control box IP55 with push buttons and emergency stop (NEN1010)
- Control box IP55 with low voltage IP65 remote control (NEN1010)
- Load limiter (required by CE regulation above 1000 kg W.L.L.)
- Wireless remote control systems
- Frequency inverter for variable speed control
- Proportional remote control valve, (pneumatic/hydraulic)
- Limit switches
- Slack wire switches

SB-series - (continued)

| Type | Brand | Capacity 1st. layer kg | Capacity 3rd. layer kg | Cable diameter mm | Speed 1st. layer m/min | Drum cap. 1st. layer m | Air pressure bar | Air cons. l/sec |
|-------------|-------|------------------------|------------------------|-------------------|------------------------|------------------------|------------------|-----------------|
| SB-300 GP4 | RRI | 1.200 | 845 | 10 | 14 | 168 | 7 | 100 |
| SB-301 GP4 | RRI | 2.100 | 1.435 | 12 | 9 | 157 | 7 | 100 |
| SB-303 GP4 | RRI | 2.500 | 1.740 | 14 | 7 | 165 | 7 | 100 |
| SB-304 GP10 | RRI | 3.100 | 2.160 | 14 | 18 | 165 | 7 | 300 |
| SB-305 GP10 | RRI | 4.000 | 2.770 | 16 | 14 | 161 | 7 | 300 |
| SB-306 GP10 | RRI | 5.500 | 3.970 | 18 | 10 | 181 | 7 | 300 |
| SB-307 GP10 | RRI | 7.000 | 4.960 | 22 | 8 | 171 | 7 | 300 |
| SB-307 GP16 | RRI | 7.000 | 4.960 | 22 | 10 | 171 | 7 | 350 |
| SB-309 GP10 | RRI | 9.000 | 6.285 | 26 | 6 | 163 | 7 | 350 |
| SB-309 GP16 | RRI | 9.000 | 6.285 | 26 | 8 | 163 | 7 | 350 |
| SB-310 GP16 | RRI | 12.000 | 8.460 | 28 | 7 | 168 | 7 | 350 |
| SB-311 GP16 | RRI | 16.000 | 10.655 | 34 | 5 | 144 | 7 | 350 |
| SB-313 GP16 | RRI | 20.000 | 13.610 | 38 | 4 | 151 | 7 | 350 |



Dimensions SB-series

| Type | Weight kg | D1 mm | D2 mm | L1 mm | L2 mm | L3(E) mm | L3(H) mm | L3(P) mm | L4 mm | L5 mm | L6 mm | L7 mm | L8 mm | L9 mm | H1 mm | H2 mm | H3 mm | W1 mm | W2 mm | Heb mm | Hoel diam. |
|------|-----------|-------|-------|-------|-------|----------|----------|----------|-------|-------|-------|-------|-------|-------|-------|-------|-------|-------|-------|--------|------------|
| 300 | 245 | 195 | 410 | 500 | 155 | 1400 | - | 1450 | 405 | 630 | 80 | 540 | 80 | 20 | 100 | 215 | 520 | 500 | 460 | 100 | 14 |
| 301 | 260 | 195 | 410 | 500 | 155 | 1500 | - | - | 405 | 730 | 80 | 540 | 80 | 20 | 100 | 215 | 520 | 500 | 460 | 100 | 14 |
| 303 | 340 | 244 | 500 | 500 | 155 | 1500 | 1300 | 1600 | 405 | 720 | 80 | 550 | 80 | 20 | 100 | 260 | 610 | 600 | 560 | 100 | 14 |
| 304 | 340 | 244 | 500 | 500 | 155 | 1500 | 1300 | 1600 | 405 | 720 | 80 | 550 | 80 | 20 | 100 | 260 | 610 | 600 | 560 | 100 | 14 |
| 305 | 400 | 298 | 500 | 500 | 155 | 1600 | 1300 | 1600 | 405 | 820 | 80 | 550 | 80 | 20 | 100 | 260 | 610 | 600 | 560 | 100 | 14 |
| 306 | 620 | 355 | 600 | 500 | 165 | 1900 | 1500 | 1800 | 415 | 1110 | 80 | 560 | 80 | 20 | 100 | 310 | 710 | 700 | 660 | 100 | 17 |
| 307 | 790 | 406 | 700 | 500 | 200 | 1900 | 1550 | 1900 | 450 | 1055 | 100 | 560 | 100 | 25 | 120 | 360 | 830 | 800 | 750 | 120 | 19 |
| 309 | 1065 | 455 | 750 | 500 | 215 | 1950 | 1550 | 1950 | 465 | 1070 | 110 | 560 | 110 | 30 | 140 | 385 | 900 | 900 | 840 | 140 | 22 |
| 310 | 1360 | 470 | 850 | 500 | 259 | 2000 | 1600 | 1950 | 509 | 1050 | 120 | 590 | 120 | 40 | 160 | 435 | 1020 | 1000 | 940 | 160 | 26 |
| 311 | 1575 | 508 | 950 | 500 | 159 | 2050 | 1650 | 1950 | 509 | 1100 | 120 | 590 | 120 | 40 | 160 | 495 | 1130 | 1100 | 1040 | 160 | 26 |
| 313 | 2220 | 610 | 1100 | 500 | 260 | 2100 | 1800 | 2150 | 510 | 1140 | 120 | 590 | 120 | 40 | 180 | 570 | 1300 | 1300 | 1230 | 180 | 32 |
| 314 | 2450 | 660 | 1250 | 500 | 299 | 2500 | 2100 | - | 549 | 1490 | 140 | 590 | 140 | 40 | 200 | 620 | 1450 | 1500 | 1420 | 200 | 36 |
| 315 | 2450 | 660 | 1200 | 500 | 299 | 2500 | 2100 | - | 549 | 1490 | 140 | 590 | 140 | 40 | 200 | 620 | 1420 | 1500 | 1420 | 200 | 36 |

Winches

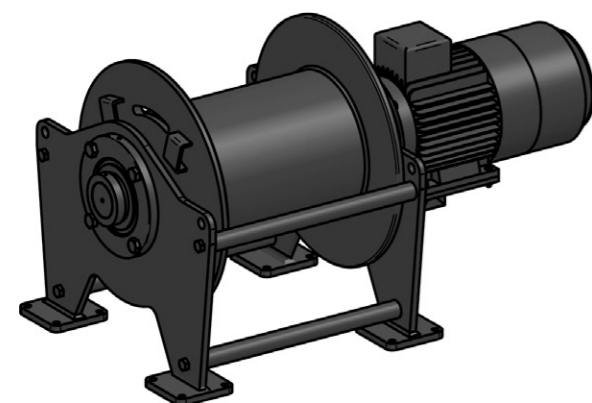
SC-series - planetary winches

A range of compact lifting and pulling electric or hydraulic winches. The heavy duty planetary gearbox is located within the drum core, with both saves space and protects the gearbox from any external damage. Capacities up to 30 tonne.

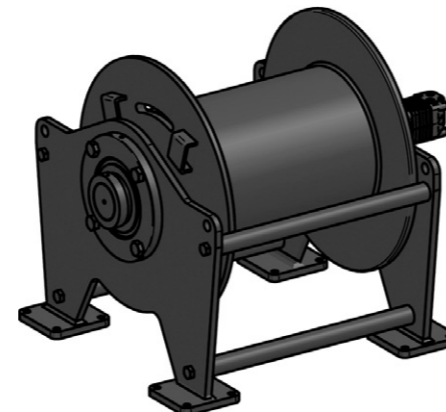
SC-series

| Type | Brand | Capacity 1st. layer kg | Capacity top layer kg | Cable diameter mm | Speed 1st. layer m/min | Speed top layer m/min | Drum capacity m | Motor power 400 V AC kW | Oil pressure bar | Air cons. l/sec |
|----------|-------|------------------------|-----------------------|-------------------|------------------------|-----------------------|-----------------|-------------------------|------------------|-----------------|
| SC 15 E | RRI | 1.955 | 1.500 | 12 | 8 | 10 | 178 (5) | 3 | - | - |
| SC 20 E | RRI | 2.655 | 2.000 | 13 | 11 | 14 | 167 (5) | 5,5 | - | - |
| SC 25 E | RRI | 3.500 | 2.500 | 16 | 8 | 11 | 144 (5) | 5,5 | - | - |
| SC 35 E | RRI | 4.850 | 3.500 | 18 | 8 | 11 | 181 (5) | 7,5 | - | - |
| SC 50 E | RRI | 6.880 | 5.000 | 20 | 8 | 11 | 203 (5) | 11 | - | - |
| SC 67 E | RRI | 9.700 | 6.700 | 24 | 12 | 17 | 195 (5) | 22 | - | - |
| SC 85 E | RRI | 12.160 | 8.500 | 26 | 9 | 13 | 228 (5) | 22 | - | - |
| SC 110 E | RRI | 15.910 | 11.000 | 30 | 7 | 10 | 228 (5) | 22 | - | - |
| SC 140 E | RRI | 18.555 | 14.000 | 32 | 6 | 8 | 204 (4) | 22 | - | - |
| SC 175 E | RRI | 23.215 | 17.500 | 38 | 6,5 | 8,5 | 223 (4) | 30 | - | - |
| SC 220 E | RRI | 29.550 | 22.000 | 40 | 6 | 8 | 214 (4) | 37 | - | - |

| | | | | | | | | | | |
|----------|-----|--------|--------|----|----|----|---------|---|-----|-----|
| SC 15 H | RRI | 1.955 | 1.500 | 12 | 19 | 25 | 178 (5) | - | 60 | 125 |
| SC 20 H | RRI | 2.655 | 2.000 | 13 | 11 | 14 | 167 (5) | - | 60 | 115 |
| SC 25 H | RRI | 3.500 | 2.500 | 16 | 12 | 16 | 144 (5) | - | 60 | 135 |
| SC 35 H | RRI | 4.850 | 3.500 | 18 | 11 | 15 | 181 (5) | - | 60 | 160 |
| SC 50 H | RRI | 6.880 | 5.000 | 20 | 12 | 16 | 203 (5) | - | 70 | 200 |
| SC 67 H | RRI | 9.700 | 6.700 | 24 | 12 | 17 | 195 (5) | - | 90 | 220 |
| SC 85 H | RRI | 12.160 | 8.500 | 26 | 12 | 17 | 228 (5) | - | 100 | 235 |
| SC 110 H | RRI | 15.910 | 11.000 | 30 | 10 | 14 | 228 (5) | - | 120 | 220 |
| SC 140 H | RRI | 18.555 | 14.000 | 32 | 9 | 12 | 204 (4) | - | 115 | 250 |
| SC 175 H | RRI | 23.215 | 17.500 | 38 | 10 | 13 | 223 (4) | - | 155 | 240 |
| SC 220 H | RRI | 29.550 | 22.000 | 40 | 9 | 12 | 214 (4) | - | 175 | 245 |



SC-50-E

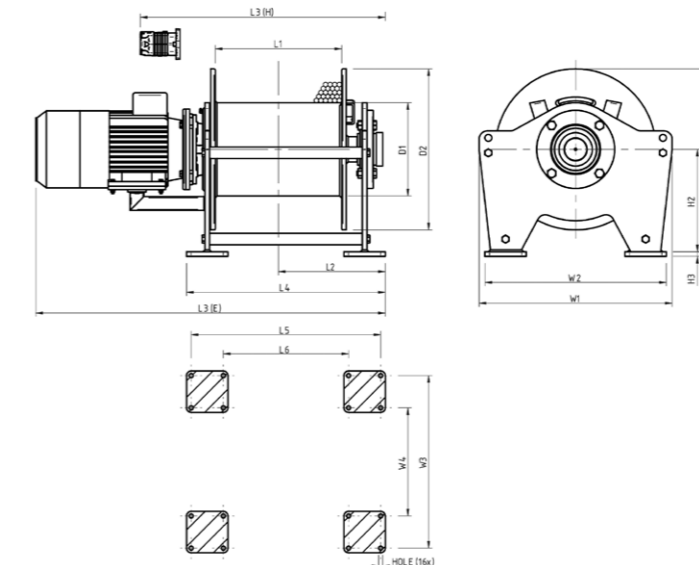


SC-67-H

Dimensions

Dimensions SC-series

| Type | Weight kg | D1 mm | D2 mm | L1 mm | L2 mm | L3(E) mm | L3(H) mm | L4 | L5 | L6 | H1 | H2 | H3 | W1 mm | W2 | W3 | W4 | Hole Ø |
|--------|-----------|-------|-------|-------|-------|----------|----------|------|------|-----|------|-----|----|-------|------|------|-----|--------|
| SC 15 | 320 | 305 | 500 | 400 | 322 | 1007 | 807 | 620 | 590 | 370 | 610 | 345 | 15 | 640 | 550 | 520 | 300 | 14 |
| SC 20 | 378 | 305 | 500 | 400 | 322 | 1255 | 875 | 620 | 590 | 370 | 610 | 345 | 15 | 640 | 550 | 520 | 300 | 14 |
| SC 25 | 465 | 305 | 550 | 410 | 375 | 1262 | 882 | 695 | 655 | 415 | 665 | 370 | 20 | 690 | 620 | 580 | 340 | 14 |
| SC 35 | 650 | 355 | 700 | 500 | 430 | 1376 | 968 | 805 | 765 | 485 | 815 | 445 | 20 | 840 | 790 | 750 | 470 | 18 |
| SC 50 | 805 | 405 | 700 | 550 | 465 | 1521 | 1066 | 865 | 825 | 545 | 815 | 445 | 20 | 840 | 790 | 750 | 470 | 18 |
| SC 67 | 1115 | 405 | 750 | 610 | 528 | 1712 | 1188 | 975 | 925 | 625 | 870 | 470 | 25 | 930 | 860 | 810 | 510 | 26 |
| SC 85 | 1350 | 455 | 850 | 690 | 582 | 1812 | 1326 | 1070 | 1020 | 720 | 970 | 520 | 25 | 1030 | 960 | 910 | 610 | 26 |
| SC 110 | 1665 | 508 | 950 | 720 | 616 | 1940 | 1402 | 1130 | 1080 | 740 | 1070 | 570 | 25 | 1130 | 1080 | 1030 | 690 | 26 |
| SC 140 | 2440 | 558 | 1050 | 820 | 680 | 2057 | 1490 | 1275 | 1215 | 815 | 1170 | 615 | 30 | 1310 | 1220 | 1160 | 760 | 33 |
| SC 175 | 2915 | 660 | 1150 | 900 | 735 | 2353 | 1814 | 1380 | 1300 | 900 | 1270 | 665 | 30 | 1410 | 1340 | 1260 | 860 | 39 |
| SC 220 | 3450 | 660 | 1250 | 900 | 738 | 2477 | 1838 | 1390 | 1310 | 910 | 1375 | 715 | 35 | 1510 | 1440 | 1360 | 960 | 39 |



Standard features

- Heavy Duty planetary gearbox
- SC E; IP 54 braked motor 400 VAC/3 phase/50 Hz.
- SC H; orbit- or radial piston type hydraulic motor with brake valve
- Steel drum with cable fixing point at flange
- two drum supports
- Double layer 2 component conservation (RAL 5010)

Options

- IP56 TENV cast iron motor for marine application
- Explosion proof motors
- Protective steel motor cover
- Drum pressure roller
- Spooling gears
- Band brake (manual or fail safe automatic)
- Manual, or automatic disengaging clutch
- Alternative speeds
- Alternative supply voltages
- Drum guards
- Grooved drums

Available contro options

- Control box IP55 with push buttons and emergency stop (NEN1010)
- Control box IP65 with low voltage IP65 remote control (NEN1010)
- Load limiter (required by CE regulation above 1.000 kg W.L.L.)
- Wireless remote control systems
- Frequency inverter for variable speed control

Winches

OAW-series - Offshore air winches

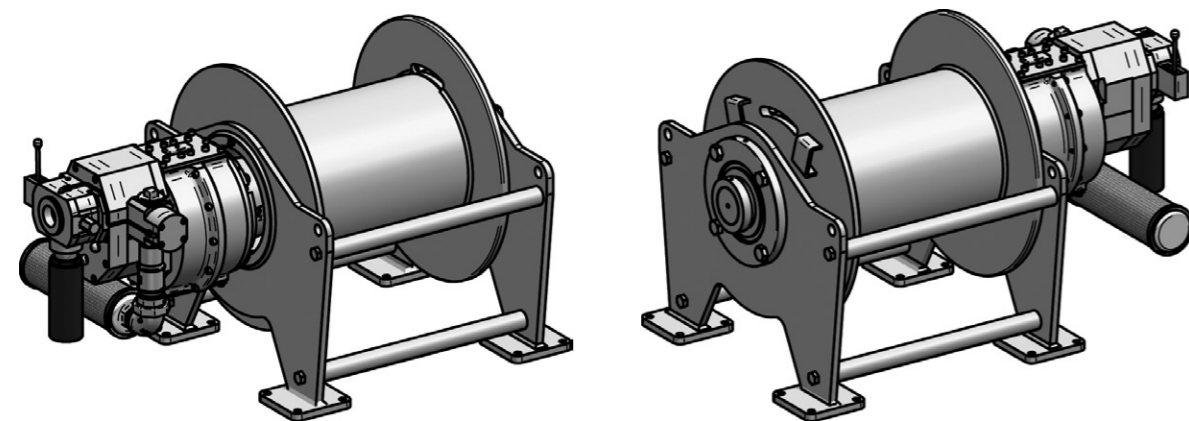
A range of compact lifting and pulling air winches specially designed for offshore applications and any other hazardous environment where space is limited. The heavy duty planetary gearbox and brake are mounted within the drum core, which both save space and protect from any external damage. Winches designed to meet independent third party requirements, like Lloyds, ABS, DNV etc.

These standard winches can be fitted with several options and accessories. Two of the winches are man riding prepared

OAW-series

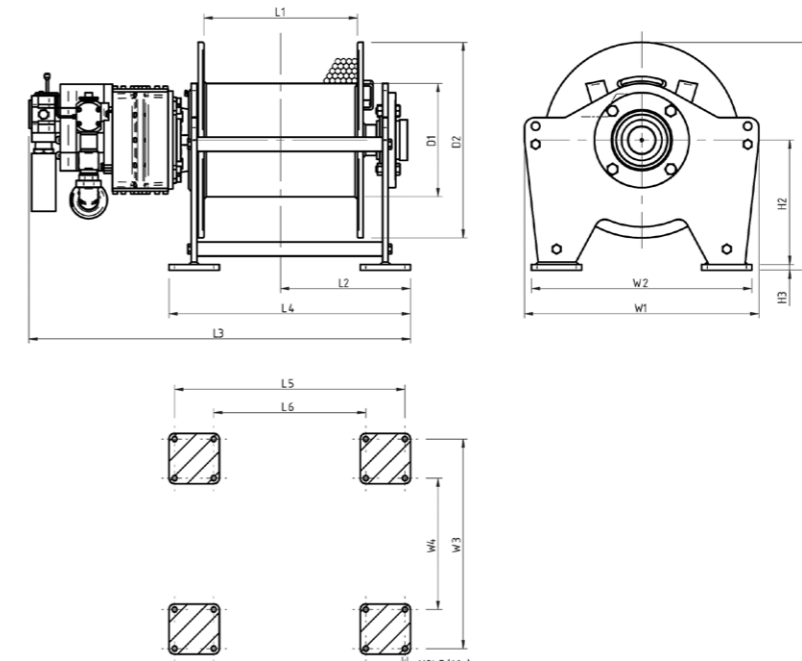
| Type | Brand | Capacity 1st. layer kg | Capacity 5th. layer kg | Rope diameter mm | Speed 3rd layer m/min | Drum cap. 5th. layer m | Pressure drop bar | Air cons. l/sec |
|--------------|-------|------------------------|------------------------|------------------|-----------------------|------------------------|-------------------|-----------------|
| OAW1.5 LV | RRI | 1.955 | 1.500 | 12 | 20 | 178 | 6,5 | 150 |
| OAW2.0 LV | RRI | 2.655 | 2.000 | 13 | 13 | 167 | 6,5 | 150 |
| OAW2.5 LV | RRI | 3.500 | 2.500 | 16 | 10 | 144 | 6,5 | 150 |
| OAW2.5 GP10 | RRI | 3.500 | 2.500 | 16 | 19 | 144 | 7 | 300 |
| OAW3.5 GP16 | RRI | 3.500 | 2.500 | 16 | 30 | 144 | 7 | 350 |
| OAW3.5 GP10 | RRI | 4.850 | 3.500 | 18 | 14 | 181 | 7 | 300 |
| OAW3.5 GP16 | RRI | 4.850 | 3.500 | 18 | 21 | 181 | 7 | 350 |
| OAW5.5 GP10 | RRI | 6.800 | 5.000 | 19 | 10 | 212 | 7 | 300 |
| OAW5.0 GP16 | RRI | 6.800 | 5.000 | 19 | 15 | 212 | 7 | 350 |
| OAW6.5 GP16 | RRI | 9.180 | 6.500 | 22 | 12 | 209 | 7 | 350 |
| OAW7.0 GP10 | RRI | 9.885 | 7.000 | 22 | 7 | 209 | 7 | 300 |
| OAW7.0 GP16 | RRI | 9.885 | 7.000 | 22 | 10 | 209 | 7 | 350 |
| OAW8.5 GP16 | RRI | 12.160 | 8.500 | 26 | 9 | 228 | 7 | 350 |
| OAW10.5 GP16 | RRI | 14.890 | 10.500 | 28 | 7 | 244 | 7 | 350 |

LV = vane motor, GP = gear motor



OAW-Reihe

Dimensions



Dimensions OAW-series

| Type | Weight kg | D1 mm | D2 mm | L1 mm | L2 mm | L3 mm | L4 mm | L5 mm | L6 mm | H1 mm | H2 mm | H3 mm | W1 mm | W2 mm | W3 mm | W4 mm | Hoel diam. |
|-----------------|-----------|-------|-------|-------|-------|-------|-------|-------|-------|-------|-------|-------|-------|-------|-------|-------|------------|
| OAW 1.5/2.0 | 350 | 305 | 500 | 400 | 322 | 934 | 620 | 590 | 370 | 610 | 345 | 15 | 640 | 550 | 520 | 300 | 14 |
| OAW 2.5 LV | 460 | 305 | 550 | 410 | 375 | 1.009 | 695 | 655 | 415 | 665 | 370 | 20 | 690 | 620 | 580 | 340 | 14 |
| OAW 2.5 GP10/16 | 660 | 305 | 550 | 410 | 375 | 1.243 | 695 | 655 | 415 | 665 | 370 | 20 | 690 | 620 | 580 | 340 | 14 |
| OAW 3.5 | 840 | 355 | 700 | 500 | 430 | 1.320 | 805 | 765 | 485 | 815 | 445 | 20 | 840 | 790 | 750 | 470 | 18 |
| OAW 5.0 | 945 | 405 | 700 | 550 | 465 | 1.369 | 865 | 825 | 545 | 815 | 445 | 20 | 840 | 790 | 750 | 470 | 18 |
| OAW 6.5/7.0 | 1180 | 405 | 750 | 610 | 528 | 1.451 | 975 | 925 | 625 | 870 | 470 | 25 | 930 | 860 | 810 | 510 | 26 |
| OAW 8.5 | 1.415 | 455 | 850 | 690 | 582 | 1.551 | 1.070 | 1.020 | 720 | 970 | 520 | 25 | 1.030 | 960 | 910 | 610 | 26 |
| OAW 10.5 | 1.730 | 508 | 950 | 720 | 616 | 1.679 | 1.130 | 1.080 | 740 | 1.070 | 570 | 25 | 1.130 | 1.080 | 1.030 | 690 | 26 |

Standard features

- Heavy Duty planetary gearbox integrated in gearbox
- Proportional based throttle valve
- Exhaust silence mufflers
- Steel drum. length 610 mm with cable fixing point at flange
- Two drum supports
- Standard temp. range -10° to 50°C
- Oil bath disc brake
- Lifting lugs
- Offshore multi layer 2 component conservation (colour RAL 1023 yellow)

Options

- Alternative drum lengths
- Grooved drums
- Alternative drum dimensions
- Band brakes (manual or automatic fail safe)
- Special temp. range -40° tot +50° celsius
- Spooling gears
- Drum pressure roller
- Natural gas given

Available control options

- Emergency main shut off valves
- Load limiter (required by CE regulation above 1.000 kg W.L.L.)
- Proportional remote control valve
- Slack wire switches (pneumatic)
- Limit switches (pneumatic)
- Frame dimensions as IR, Atlas, Beebe, Chicago or Gardner
- Endstop





ACTION

IMPACT SOCKETS FOR OPTIMAL PERFORMANCE AND SECURITY

www.rami-yokota.com

• **Impact sockets
and accessories**

• Normal/Long

• Magnetic/Torx®

• Hex Head

• 12-Point

• Surface Drive

• Thin Wall

• Triple Square / Ribe

• Universal Joint

• Sleeve Drive

• Impact Sockets Sets

• Torque/Adaptors

• Extension Bars



ACTION®

Contents

| | | | |
|--|---|----|--|
| About Action | | | |
| | Introduction | 3 | |
| Impact sockets for Impulse wrenches | | | |
| 1/4" | 6-Point & Tap Hold sockets | 4 | |
| Action Impact sockets | | | |
| 1/4" | 6-Point normal 6-Point deep Torx® Surface Drive Universal Joint sockets | 5 | |
| 3/8" | 6-Point normal 6-Point deep 12-Point normal 12-Point deep Surface Drive Torx® Triple Square Universal Joints RIBE Driver Tap Holding sockets | 8 | |
| 1/2" | 4-Point / Double Square 6-Point normal 6-Point deep 12-Point normal 12-Point deep Surface Drive Torx® Triple Square Universal Joints RIBE Driver Tap Holding sockets Stud Bolt Setters | 14 | |
| 3/4" | 4-Point 6-Point normal 6-Point deep Außen 6-Point 8-Point 12-Point normal 12-Point deep Torx® Stud Bolt Setters | 24 | |
| 1" | 4-Point 6-Point normal 6-Point deep 8-Point 12-Point normal 12-Point deep Hex Driver-6-Point (Inbus) | 28 | |
| 1½" | 6-Point normal 6-Point deep Hex Driver 6-Point (Inbus) | 32 | |
| 2½" | 6-Point normal | 33 | |
| #5 | #5 Spline Drive (6-Point) | 33 | |
| Extensions | | | |
| | Extension Bars Lock Pin retainer Universal Joints Impact bit holder Adaptors Quick-Change adaptors | 34 | |
| Sleeve drive sockets | | | |
| 3/8" | 6-Point normal 6-Point long 6-Point deep Torx® Hex Driver (Inbus) | 37 | |
| 1/2" | 6-Point normal 6-Point long 6-Point deep Torx® Hex Driver 6-Point (Inbus) Stud Bolt Setters | 39 | |
| 3/4" | 6-Point normal Hex Driver 6-Point (Inbus) Torx® Extensions Quickchange adators | 41 | |
| Impact sockets sets | | | |
| | Impact sockets sets Torque sockets | 43 | |

About Action



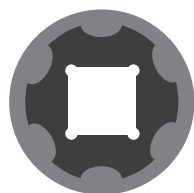
The Square Drive

Action impact sockets are available for Square Drives of 1/4" up to 2 1/2". The shape of the square drive of these sockets are characterized by corners that are rounded off, so the square drive of the powertool have the best possible fit. This means that the torque is transmitted on a large area, not only on the corners of the socket. This results in good endurance of the sockets and a long lifetime.



6-Point sockets

The 6-point sockets manufactured by Action also have rounded off corners. The rounded corners allow some space for the points of the bolthead, so the torque is transmitted on the flanks of the bolthead, giving you better results. Driving the flanks also means that the wear on the points of the bolthead or nut is reduced. For 12-points sockets, a similar geometry is used.



Surface Drive sockets

Surface Drive Sockets are designed to drive only the center of the flank of a bolthead or nut. The Surface Drive sockets should be recommended for use on nuts with points that have worn off, but also for nuts of softer materials and polished nuts and boltheads.

Sleeve Drive sockets

Sleeve Drive Sockets have been developed by Action at the request of Yokota to improve the quality of a joint tightened with impulse wrenches. **Sleeve Drive Sockets minimize play between socket and tool thus reducing "wobble" and stabilizing the torque setting.** The use of Sleeve Drive Sockets is not only of benefit to the actual joint but also reduces vibration to the tool and operator, also reduces noise levels and tool wear.

Worn sockets cause loss of power, wear to the square drive of the tool and increases vibration and noise to the operator. Replace your worn sockets in time.

Caution!

Always wear safety goggles when using impact equipment. Do not hold the socket while in use

All Action impact sockets are manufactured according DIN 3121 and DIN3129.

Universal joints, reducing adapters and thin wall sockets are supplied without warranty.

European Regulation, Directive of Machinery 2006/42/EG and EN/ISO 11148-6, states that only impact sockets are to be used on power tools.

If you can't find the proper dimensions or size in this catalogue, please contact us!

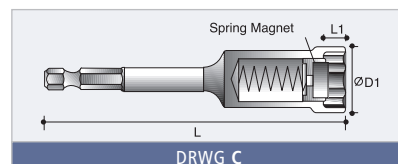
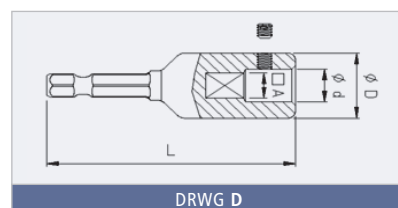
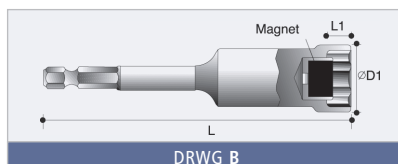
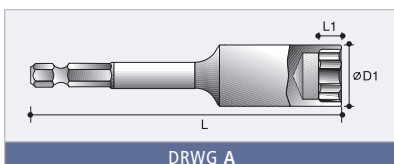
Impact sockets for screwdrivers

1/4" Drive

| SIZE | | | | | | |
|-----------------|--------|------|-------|------|-------|---|
| 6-Point | | | | | | 1 |
| Type | A/F mm | DRWG | D1 mm | L mm | L1 mm | - |
| Metrical | | | | | | |
| DO697B0S04 | 4 | A | 8 | 55 | 4,5 | - |
| DO697B0S06 | 6 | A | 10 | 55 | 4,5 | - |
| DO697B0T06 | 6 | A | 10 | 75 | 4,5 | - |
| DO697B0T07 | 7 | A | 11 | 75 | 4,5 | - |
| DO697B0T08 | 8 | A | 12 | 75 | 4,5 | - |
| DO697B0T10 | 10 | A | 14 | 75 | 5,5 | - |
| DO697B0T12 | 12 | A | 17 | 75 | 5,5 | - |
| DO697B0T13 | 13 | A | 18 | 75 | 5,5 | - |
| DO697B0T14 | 14 | A | 19 | 75 | 5,5 | - |

| SIZE | | | | | | |
|------------------|--------|------|-------|------|-------|---|
| 6-Point magnetic | | | | | | 2 |
| Type | A/F mm | DRWG | D1 mm | L mm | L1 mm | - |
| Metrical | | | | | | |
| DO697B0M06 | 6 | B | 10 | 55 | 4,5 | - |
| DO697B0M08 | 8 | B | 12 | 55 | 4,5 | - |
| DO697B0M10 | 10 | B | 14 | 55 | 5,5 | - |
| DO697B0M12 | 12 | B | 17 | 55 | 5,5 | - |
| DO697B0M13 | 13 | B | 18 | 55 | 5,5 | - |
| DO697B0M14 | 14 | B | 19 | 55 | 5,5 | - |
| DO697B0P06 | 6 | B | 10 | 100 | 4,5 | - |
| DO697B0P08 | 8 | B | 12 | 100 | 4,5 | - |
| DO697B0P10 | 10 | B | 14 | 100 | 5,5 | - |
| DO697B0P12 | 12 | B | 17 | 100 | 5,5 | - |
| DO697B0P13 | 13 | B | 18 | 100 | 5,5 | - |
| DO697B0P14 | 14 | B | 19 | 100 | 5,5 | - |

| SIZE | | | | | | |
|-----------------------|--------|------|-------|------|-------|---|
| 6-Point deep magnetic | | | | | | 2 |
| Type | A/F mm | DRWG | D1 mm | L mm | L1 mm | - |
| Metrical | | | | | | |
| DO697B7006 | 6 | C | 10 | 100 | 4,5 | - |
| DO697B7008 | 8 | C | 12 | 100 | 4,5 | - |
| DO697B7010 | 10 | C | 14 | 100 | 5,5 | - |
| DO697B7012 | 12 | C | 17 | 100 | 5,5 | - |
| DO697B7013 | 13 | C | 18 | 100 | 5,5 | - |
| DO697B7014 | 14 | C | 19 | 100 | 5,5 | - |
| DO697B9006 | 6 | C | 10 | 200 | 4,5 | - |
| DO697B9008 | 8 | C | 12 | 200 | 4,5 | - |
| DO697B9010 | 10 | C | 14 | 200 | 5,5 | - |
| DO697B9012 | 12 | C | 17 | 200 | 5,5 | - |
| DO697B9013 | 13 | C | 18 | 200 | 5,5 | - |
| DO697B7014 | 14 | C | 19 | 200 | 5,5 | - |



| SIZE | | | | | | |
|---------------------|------|------|--------|--------|------|---|
| Tap holding sockets | | | | | | 3 |
| Type | A mm | DRWG | Ø d mm | Ø D mm | L mm | - |
| Metrical | | | | | | |
| DO63A65001 | 3,4 | D | 4,5 | 14 | 55 | - |
| DO63A65002 | 4,9 | D | 6,0 | 15 | 55 | - |
| DO63A65003 | 5,5 | D | 7,0 | 16 | 55 | - |
| DO63A65004 | 6,2 | D | 8,0 | 17 | 60 | - |
| DO63A65005 | 7,0 | D | 9,0 | 18 | 70 | - |
| DO63A65006 | 8,0 | D | 10,0 | 19 | 70 | - |
| DO63A65007 | 9,0 | D | 11,0 | 20 | 70 | - |
| DO63A65008 | 9,0 | D | 12,0 | 21 | 70 | - |
| DO63A65009 | 11,0 | D | 14,0 | 23 | 75 | - |



Impact sockets

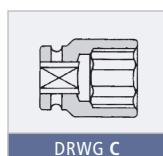
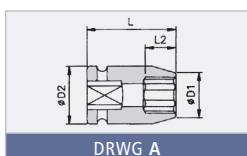
1/4" Drive



| SIZE | | | | | | |
|-----------------|--------|------|-------|-------|------|-------|
| 6-Point normal | | | | | | 1 |
| Type | A/F mm | DRWG | D1 mm | D2 mm | L mm | L2 mm |
| Metrical | | | | | | |
| DO0014-0-004 | 4 | A | 7,6 | 13 | 23 | 4 |
| DO0014-0-0045 | 4,5 | A | 8,2 | 13 | 23 | 5 |
| DO0014-0-005 | 5 | A | 8,8 | 13 | 23 | 5 |
| DO0014-0-0055 | 5,5 | A | 9,5 | 13 | 23 | 5 |
| DO0014-0-006 | 6 | A | 10 | 13 | 23 | 6 |
| DO0014-0-007 | 7 | A | 11,3 | 13 | 23 | 6 |
| DO0014-0-008 | 8 | A | 12,5 | 13 | 23 | 7 |
| DO0014-0-009 | 9 | A | 13,8 | 13 | 23 | 7 |
| DO0014-0-010 | 10 | C | 15 | 13 | 23 | 7 |
| DO0014-0-011 | 11 | C | 16,3 | 13 | 23 | 8 |
| DO0014-0-012 | 12 | C | 17 | 13 | 23 | 8 |
| DO0014-0-013 | 13 | C | 18,8 | 13 | 23 | 8 |
| DO0014-0-014 | 14 | C | 20 | 13 | 23 | 8 |
| DO0014-0-015 | 15 | C | 21 | 13 | 23 | 8 |

| SIZE | | | | | | |
|----------------|-------|------|-------|-------|------|-------|
| 6-Point normal | | | | | | 1 |
| Type | A/F | DRWG | D1 mm | D2 mm | L mm | L2 mm |
| SAE | | | | | | |
| DO0014-0-3/16 | 3/16" | A | 8,5 | 13 | 23 | 5 |
| DO0014-0-1/4 | 1/4" | A | 10,3 | 13 | 23 | 6 |
| DO0014-0-5/16 | 5/16" | A | 12,5 | 13 | 23 | 7 |
| DO0014-0-3/8 | 3/8" | C | 15 | 13 | 23 | 7 |
| DO0014-0-7/16 | 7/16" | C | 16,3 | 13 | 23 | 8 |
| DO0014-0-1/2 | 1/2" | C | 18,8 | 13 | 23 | 8 |

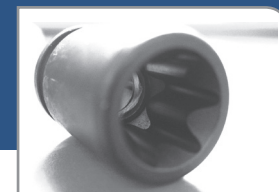
| SIZE | | | | | | |
|-----------------|--------|------|-------|-------|------|-------|
| 6-Point deep | | | | | | 2 |
| Type | A/F mm | DRWG | D1 mm | D2 mm | L mm | L2 mm |
| Metrical | | | | | | |
| DO0014-1-004 | 4 | A | 8,2 | 13 | 50 | 4 |
| DO0014-1-045 | 4,5 | A | 8,2 | 13 | 50 | 6 |
| DO0014-1-005 | 5 | A | 8,8 | 13 | 50 | 6 |
| DO0014-1-006 | 6 | A | 10 | 13 | 50 | 7 |
| DO0014-1-007 | 7 | A | 11,3 | 13 | 50 | 7 |
| DO0014-1-008 | 8 | A | 12,5 | 13 | 50 | 9 |
| DO0014-1-009 | 9 | C | 13,8 | 13 | 50 | 9 |
| DO0014-1-010 | 10 | C | 15 | 13 | 50 | 9 |
| DO0014-1-011 | 11 | C | 16,3 | 13 | 50 | 9 |
| DO0014-1-012 | 12 | C | 17 | 13 | 50 | 9 |
| DO0014-1-013 | 13 | C | 18,8 | 13 | 50 | 9 |
| DO0014-1-014 | 14 | C | 20 | 13 | 50 | 9 |
| DO0014-1-015 | 15 | C | 21 | 13 | 50 | 9 |



| SIZE | | | | | | |
|-------------------------|--------|------|-------|-------|------|-------|
| 6-Point normal magnetic | | | | | | 3 |
| Type | A/F mm | DRWG | D1 mm | D2 mm | L mm | L2 mm |
| Metrical | | | | | | |
| DO6050P050 | 5 | A | 8,8 | 13 | 23 | 3 |
| DO6050P055 | 5,5 | A | 9,5 | 13 | 23 | 3 |
| DO6050P060 | 6 | A | 10 | 13 | 23 | 3 |
| DO6050P070 | 7 | A | 11,3 | 13 | 23 | 3 |
| DO6050P080 | 8 | A | 12,5 | 13 | 23 | 3 |
| DO6050P090 | 9 | C | 13,8 | 13 | 23 | 4 |
| DO6050P100 | 10 | C | 15 | 13 | 23 | 4 |
| DO6050P110 | 11 | C | 16,3 | 13 | 23 | 5 |
| DO6050P120 | 12 | C | 17 | 13 | 23 | 5 |
| DO6050P130 | 13 | C | 18,8 | 13 | 23 | 5 |
| DO6050P140 | 14 | C | 20 | 13 | 23 | 6 |
| DO6050P150 | 15 | C | 21 | 13 | 23 | 6 |

| SIZE | | | | | | |
|-----------------------|--------|------|-------|-------|------|-------|
| 6-Point deep magnetic | | | | | | 4 |
| Type | A/F mm | DRWG | D1 mm | D2 mm | L mm | L2 mm |
| Metrical | | | | | | |
| DO6050R050 | 5 | A | 8,8 | 13 | 50 | 3 |
| DO6050R055 | 5,5 | A | 9,5 | 13 | 50 | 3 |
| DO6050R060 | 6 | A | 10 | 13 | 50 | 3 |
| DO6050R070 | 7 | A | 11,3 | 13 | 50 | 3 |
| DO6050R080 | 8 | A | 12,5 | 13 | 50 | 3 |
| DO6050R090 | 9 | C | 13,8 | 13 | 50 | 4 |
| DO6050R100 | 10 | C | 15 | 13 | 50 | 4 |
| DO6050R110 | 11 | C | 16,3 | 13 | 50 | 5 |
| DO6050R120 | 12 | C | 17 | 13 | 50 | 5 |
| DO6050R130 | 13 | C | 18,8 | 13 | 50 | 5 |
| DO6050R140 | 14 | C | 20 | 13 | 50 | 6 |
| DO6050R150 | 15 | C | 21 | 13 | 50 | 6 |

Impact sockets



Torx® Impact Socket

1/4" Drive

| SIZE | | | | | | | 1 |
|----------------|-----|------|-------|-------|------|---|---|
| Torx® internal | | | | | | | |
| Type | A/F | DRWG | D2 mm | L1 mm | L mm | - | |
| DO64701005 | T5 | F | 13 | 2,0 | 35 | - | |
| DO64701006 | T6 | F | 13 | 2,0 | 35 | - | |
| DO64701007 | T7 | F | 13 | 2,0 | 35 | - | |
| DO64701008 | T8 | F | 13 | 2,0 | 35 | - | |
| DO64701009 | T9 | F | 13 | 2,0 | 35 | - | |
| DO64701010 | T10 | F | 13 | 2,8 | 35 | - | |
| DO64701015 | T15 | F | 13 | 2,8 | 35 | - | |
| DO64701020 | T20 | F | 13 | 2,8 | 35 | - | |
| DO64701025 | T25 | F | 13 | 3,0 | 35 | - | |
| DO64701027 | T27 | F | 13 | 3,0 | 35 | - | |
| DO64701030 | T30 | F | 13 | 3,8 | 35 | - | |

Torx® is a trademark of Textron.

| SIZE | | | | | | | 3 |
|--------------------------|-----|------|-------|-------|------|-------|---|
| Torx® thin wall external | | | | | | | |
| Type | A/F | DRWG | D1 mm | D2 mm | L mm | L2 mm | |
| DO63305004 | E4 | A | 6,5 | 13 | 25 | 4 | |
| DO63305005 | E5 | A | 7,5 | 13 | 25 | 4,5 | |
| DO63305006 | E6 | A | 8,5 | 13 | 25 | 5 | |
| DO63305007 | E7 | A | 9 | 13 | 25 | 6 | |
| DO63305008 | E8 | A | 9,8 | 13 | 25 | 6 | |
| DO63305010 | E10 | A | 12 | 13 | 25 | 6,5 | |
| DO63305011 | E11 | A | 12,7 | 13 | 25 | 8 | |
| DO63305012 | E12 | A | 14 | 14,5 | 25 | 8,5 | |

Thin wall sockets are not covered by the Action warranty.
Torx® is a trademark of Textron.

| SIZE | | | | | | 1 |
|---------------------------------|-----|------|-------|-------|------|---|
| Torx® Tamper Resistant internal | | | | | | |
| Type | A/F | DRWG | D2 mm | L1 mm | L mm | - |
| DO64706008 | T8 | F | 13 | 2,0 | 35 | - |
| DO64706009 | T9 | F | 13 | 2,0 | 35 | - |
| DO64706010 | T10 | F | 13 | 2,8 | 35 | - |
| DO64706015 | T15 | F | 13 | 2,8 | 35 | - |
| DO64706020 | T20 | F | 13 | 2,8 | 35 | - |
| DO64706025 | T25 | F | 13 | 3,0 | 35 | - |
| DO64706027 | T27 | F | 13 | 3,0 | 35 | - |
| DO64706030 | T30 | F | 13 | 3,8 | 35 | - |

Torx® is a trademark of Textron.

| SIZE | | | | | | | 2 |
|----------------|-----|------|-------|-------|------|-------|---|
| Torx® external | | | | | | | |
| Type | A/F | DRWG | D1 mm | D2 mm | L mm | L2 mm | |
| DO63300004 | E4 | A | 7,2 | 13 | 25 | 4 | |
| DO63300005 | E5 | A | 8 | 13 | 25 | 4,5 | |
| DO63300006 | E6 | A | 9 | 13 | 25 | 5 | |
| DO63300007 | E7 | A | 9,5 | 13 | 25 | 6 | |
| DO63300008 | E8 | A | 10 | 13 | 25 | 6 | |
| DO63300010 | E10 | A | 12,5 | 13 | 25 | 7,5 | |
| DO63300011 | E11 | B | 13 | 13 | 25 | 8 | |
| DO63300012 | E12 | B | 14,5 | 14,5 | 25 | 8,5 | |

Torx® is a trademark of Textron.



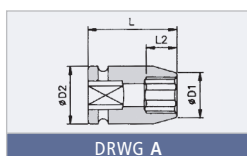
1



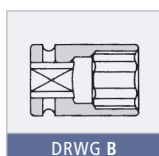
2



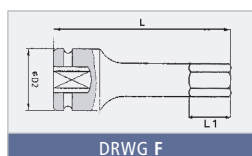
3



DRWG A



DRWG B



DRWG F

Impact sockets



Surface Drive Socket

1/4" Drive



1



2



3

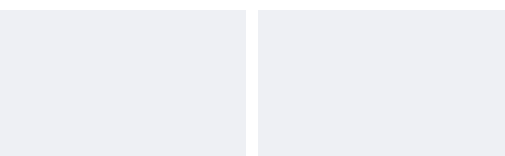
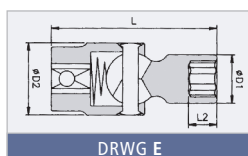
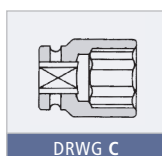
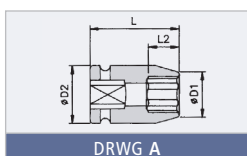
TiD-extra
Industrial Technologies d.o.o.

| SIZE | | | | | | |
|----------------------|--------|------|-------|-------|------|-------|
| Surface Drive normal | | | | | | 1 |
| Type | A/F mm | DRWG | D1 mm | D2 mm | L mm | L2 mm |
| Metrical | | | | | | |
| DO63405040 | 4 | A | 7,6 | 13 | 23 | 4 |
| DO63405045 | 4,5 | A | 8,2 | 13 | 23 | 5 |
| DO63405050 | 5 | A | 8,8 | 13 | 23 | 5 |
| DO63405055 | 5,5 | A | 9,5 | 13 | 23 | 5 |
| DO63405060 | 6 | A | 10 | 13 | 23 | 6 |
| DO63405070 | 7 | A | 11,3 | 13 | 23 | 6 |
| DO63405080 | 8 | A | 12,5 | 13 | 23 | 7 |
| DO63405090 | 9 | C | 13,8 | 13 | 23 | 7 |
| DO63405100 | 10 | C | 15 | 13 | 23 | 7 |
| DO63405110 | 11 | C | 16,3 | 13 | 23 | 8 |
| DO63405120 | 12 | C | 17 | 13 | 23 | 8 |
| DO63405130 | 13 | C | 18,8 | 13 | 23 | 8 |
| DO63405140 | 14 | C | 20 | 13 | 23 | 8 |
| DO63405150 | 15 | C | 21 | 13 | 23 | 8 |

| SIZE | | | | | | |
|--|--------|------|-------|-------|------|-------|
| Universal Joint sockets 6-Point normal | | | | | | 3 |
| Type | A/F mm | DRWG | D1 mm | D2 mm | L mm | L2 mm |
| Metrical | | | | | | |
| DO62500050 | 5 | E | 8,8 | 15 | 43 | 5 |
| DO62500055 | 5,5 | E | 9,5 | 15 | 43 | 6 |
| DO62500060 | 6 | E | 10 | 15 | 43 | 6 |
| DO62500070 | 7 | E | 11,5 | 15 | 43 | 8 |
| DO62500080 | 8 | E | 12,5 | 15 | 43 | 8 |
| DO62500090 | 9 | E | 14 | 15 | 43 | 8 |
| DO62500100 | 10 | E | 15 | 15 | 43 | 8 |
| DO62500110 | 11 | E | 16,5 | 15 | 43 | 8 |
| DO62500120 | 12 | E | 16,8 | 16 | 48 | 8 |
| DO62500130 | 13 | E | 18,8 | 16 | 48 | 8 |
| DO62500140 | 14 | E | 19,8 | 16 | 48 | 8 |
| DO62500150 | 15 | E | 20,8 | 16 | 48 | 8 |

| SIZE | | | | | | |
|--------------------|--------|------|-------|-------|------|-------|
| Surface Drive deep | | | | | | 2 |
| Type | A/F mm | DRWG | D1 mm | D2 mm | L mm | L2 mm |
| Metrical | | | | | | |
| DO63407040 | 4 | A | 7,6 | 13 | 50 | 4 |
| DO63407045 | 4,5 | A | 8,2 | 13 | 50 | 6 |
| DO63407050 | 5 | A | 8,8 | 13 | 50 | 6 |
| DO63407055 | 5,5 | A | 9,5 | 13 | 50 | 6 |
| DO63407060 | 6 | A | 10 | 13 | 50 | 7 |
| DO63407070 | 7 | A | 11,3 | 13 | 50 | 7 |
| DO63407080 | 8 | A | 12,5 | 13 | 50 | 9 |
| DO63407090 | 9 | C | 13,8 | 13 | 50 | 9 |
| DO63407100 | 10 | C | 15 | 13 | 50 | 9 |
| DO63407110 | 11 | C | 16,3 | 13 | 50 | 9 |
| DO63407120 | 12 | C | 17 | 13 | 50 | 9 |
| DO63407130 | 13 | C | 18,8 | 13 | 50 | 9 |
| DO63407140 | 14 | C | 20 | 13 | 50 | 9 |
| DO63407150 | 15 | C | 21 | 13 | 50 | 9 |

| Pin and Ring | |
|--------------|--|
| DO1014-0-000 | |



Impact sockets

3/8 Drive

| SIZE | | | | | | |
|----------------|--|--|--|--|--|---|
| 6-Point normal | | | | | | 1 |

| Type | A/F mm | DRWG | D1 mm | D2 mm | L mm | L2 mm |
|------|--------|------|-------|-------|------|-------|
|------|--------|------|-------|-------|------|-------|

Metrical

| | | | | | | |
|--------------|----|---|------|----|----|----|
| DO1038-0-006 | 6 | A | 11 | 19 | 30 | 4 |
| DO1038-0-007 | 7 | A | 12,5 | 19 | 30 | 8 |
| DO1038-0-008 | 8 | A | 14 | 19 | 30 | 8 |
| DO1038-0-009 | 9 | A | 15 | 19 | 30 | 8 |
| DO1038-0-010 | 10 | A | 16 | 19 | 30 | 8 |
| DO1038-0-011 | 11 | A | 17,5 | 19 | 30 | 9 |
| DO1038-0-012 | 12 | B | 19 | 19 | 30 | 9 |
| DO1038-0-013 | 13 | A | 20 | 22 | 30 | 9 |
| DO1038-0-014 | 14 | A | 21 | 22 | 30 | 9 |
| DO1038-0-015 | 15 | B | 22 | 22 | 30 | 11 |
| DO1038-0-016 | 16 | C | 24 | 22 | 30 | 11 |
| DO1038-0-017 | 17 | C | 25 | 22 | 30 | 11 |
| DO1038-0-018 | 18 | C | 26 | 22 | 30 | 11 |
| DO1038-0-019 | 19 | C | 27,5 | 22 | 30 | 11 |
| DO1038-0-020 | 20 | C | 28 | 22 | 30 | 12 |
| DO1038-0-021 | 21 | C | 30 | 22 | 30 | 13 |
| DO1038-0-022 | 22 | C | 32 | 23 | 30 | 13 |
| DO1038-0-023 | 23 | C | 33 | 23 | 30 | 13 |
| DO1038-0-024 | 24 | C | 34 | 23 | 30 | 13 |

| SIZE | | | | | | |
|----------------|--|--|--|--|--|---|
| 6-Point normal | | | | | | 2 |

| Type | A/F | DRWG | D1 mm | D2 mm | L mm | L2 mm |
|------|-----|------|-------|-------|------|-------|
|------|-----|------|-------|-------|------|-------|

SAE

| | | | | | | |
|----------------|--------|---|------|----|----|----|
| DO1038-0-5/16 | 5/16" | A | 12,5 | 19 | 30 | 8 |
| DO1038-0-3/8 | 3/8" | A | 14,5 | 19 | 30 | 8 |
| DO1038-0-7/16 | 7/16" | A | 17 | 19 | 30 | 9 |
| DO1038-0-1/2 | 1/2" | B | 19 | 19 | 30 | 9 |
| DO1038-0-9/16 | 9/16" | B | 20 | 20 | 30 | 9 |
| DO1038-0-5/8 | 5/8" | B | 24 | 24 | 30 | 11 |
| DO1038-0-11/16 | 11/16" | B | 24 | 24 | 30 | 11 |
| DO1038-0-3/4 | 3/4" | B | 26 | 26 | 30 | 11 |
| DO1038-0-13/16 | 13/16" | B | 28 | 28 | 30 | 13 |
| DO1038-0-7/8 | 7/8" | B | 30 | 30 | 30 | 13 |
| DO1038-0-15/16 | 15/16" | B | 34 | 34 | 30 | 13 |

| SIZE | | | | | | |
|-------------------------|--|--|--|--|--|---|
| 6-Point normal magnetic | | | | | | 3 |

| Type | A/F mm | DRWG | D1 mm | D2 mm | L mm | L2 mm |
|------|--------|------|-------|-------|------|-------|
|------|--------|------|-------|-------|------|-------|

Metrical

| | | | | | | |
|------------|----|---|------|----|----|---|
| DO6051P006 | 6 | A | 11,5 | 19 | 30 | 3 |
| DO6051P007 | 7 | A | 12,5 | 19 | 30 | 3 |
| DO6051P008 | 8 | A | 14 | 19 | 30 | 3 |
| DO6051P009 | 9 | A | 15 | 19 | 30 | 4 |
| DO6051P010 | 10 | A | 16,5 | 19 | 30 | 4 |
| DO6051P011 | 11 | A | 17,5 | 19 | 30 | 5 |
| DO6051P012 | 12 | B | 19 | 19 | 30 | 5 |
| DO6051P013 | 13 | A | 20 | 22 | 30 | 5 |
| DO6051P014 | 14 | A | 21,5 | 22 | 30 | 6 |
| DO6051P015 | 15 | B | 22 | 22 | 30 | 6 |
| DO6051P016 | 16 | C | 24 | 22 | 30 | 6 |
| DO6051P017 | 17 | C | 25 | 22 | 30 | 6 |
| DO6051P018 | 18 | C | 26 | 22 | 30 | 7 |
| DO6051P019 | 19 | C | 27,5 | 22 | 30 | 7 |



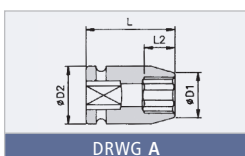
1



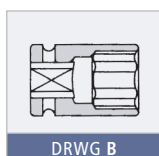
2



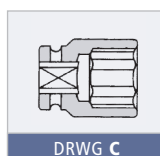
3



DRWG A



DRWG B



DRWG C

Impact sockets

3/8 Drive



1



2



3



4

SIZE 6-Point deep

| Type | A/F mm | DRWG | D1 mm | D2 mm | L mm | L2 mm |
|------|--------|------|-------|-------|------|-------|
|------|--------|------|-------|-------|------|-------|

Metrical

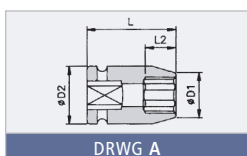
| | | | | | | |
|--------------|----|---|------|----|----|----|
| DO1038-1-007 | 7 | A | 12,5 | 19 | 65 | 12 |
| DO1038-1-008 | 8 | A | 13,8 | 19 | 65 | 12 |
| DO1038-1-009 | 9 | A | 15 | 19 | 65 | 12 |
| DO1038-1-010 | 10 | A | 16 | 19 | 65 | 12 |
| DO1038-1-011 | 11 | A | 17,5 | 19 | 65 | 25 |
| DO1038-1-012 | 12 | B | 19 | 19 | 65 | 25 |
| DO1038-1-013 | 13 | A | 20 | 22 | 65 | 25 |
| DO1038-1-014 | 14 | A | 21 | 22 | 65 | 25 |
| DO1038-1-015 | 15 | B | 22 | 22 | 65 | 25 |
| DO1038-1-016 | 16 | C | 24 | 22 | 65 | 25 |
| DO1038-1-017 | 17 | C | 25 | 22 | 65 | 25 |
| DO1038-1-018 | 18 | C | 26 | 22 | 65 | 25 |
| DO1038-1-019 | 19 | C | 27,5 | 22 | 65 | 25 |
| DO1038-1-020 | 20 | C | 28 | 22 | 65 | 25 |
| DO1038-1-021 | 21 | C | 30 | 22 | 65 | 25 |
| DO1038-1-022 | 22 | C | 32 | 23 | 65 | 25 |
| DO1038-1-024 | 24 | C | 34 | 23 | 65 | 25 |

SIZE 6-Point deep magnetic

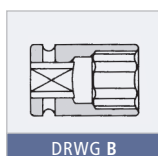
| Type | A/F mm | DRWG | D1 mm | D2 mm | L mm | L2 mm |
|------|--------|------|-------|-------|------|-------|
|------|--------|------|-------|-------|------|-------|

Metrical

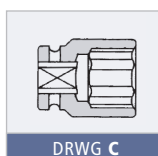
| | | | | | | |
|------------|----|---|------|----|----|---|
| DO6051R006 | 6 | A | 11,5 | 19 | 55 | 3 |
| DO6051R007 | 7 | A | 12,5 | 19 | 55 | 3 |
| DO6051R008 | 8 | A | 14 | 19 | 55 | 3 |
| DO6051R009 | 9 | A | 15 | 19 | 55 | 4 |
| DO6051R010 | 10 | A | 16,5 | 19 | 55 | 4 |
| DO6051R011 | 11 | A | 17,5 | 19 | 55 | 5 |
| DO6051R012 | 12 | B | 19 | 19 | 55 | 5 |
| DO6051R013 | 13 | A | 20 | 22 | 55 | 5 |
| DO6051R014 | 14 | A | 21,5 | 22 | 55 | 6 |
| DO6051R015 | 15 | B | 22 | 22 | 55 | 6 |
| DO6051R016 | 16 | C | 24 | 22 | 55 | 6 |
| DO6051R017 | 17 | C | 25 | 22 | 55 | 6 |
| DO6051R018 | 18 | C | 26 | 22 | 55 | 7 |
| DO6051R019 | 19 | C | 27,5 | 22 | 55 | 7 |



DRWG A



DRWG B



DRWG C

SIZE 12-Point normal

| Type | A/F mm | DRWG | D1 mm | D2 mm | L mm | L2 mm |
|------|--------|------|-------|-------|------|-------|
|------|--------|------|-------|-------|------|-------|

Metrical

| | | | | | | |
|------------|----|---|------|----|----|----|
| DO65815006 | 6 | A | 11 | 19 | 30 | 5 |
| DO65815007 | 7 | A | 12 | 19 | 30 | 8 |
| DO65815008 | 8 | A | 13 | 19 | 30 | 8 |
| DO65815009 | 9 | A | 15 | 19 | 30 | 8 |
| DO65815010 | 10 | A | 16 | 19 | 30 | 8 |
| DO65815011 | 11 | A | 17,5 | 19 | 30 | 9 |
| DO65815012 | 12 | A | 18,5 | 19 | 30 | 9 |
| DO65815013 | 13 | A | 20 | 22 | 30 | 10 |
| DO65815014 | 14 | A | 21 | 22 | 30 | 11 |
| DO65815015 | 15 | B | 22 | 22 | 30 | 12 |
| DO65815016 | 16 | C | 24 | 22 | 30 | 12 |
| DO65815017 | 17 | C | 25 | 22 | 30 | 12 |
| DO65815018 | 18 | C | 26 | 22 | 30 | 13 |
| DO65815019 | 19 | C | 27 | 22 | 30 | 13 |
| DO65815020 | 20 | C | 28 | 22 | 30 | 13 |
| DO65815021 | 21 | C | 30 | 22 | 30 | 14 |
| DO65815022 | 22 | C | 31 | 23 | 30 | 15 |
| DO65815023 | 23 | C | 32 | 23 | 30 | 15 |
| DO65815024 | 24 | C | 34 | 23 | 30 | 16 |
| DO65815025 | 25 | C | 35 | 23 | 30 | 16 |
| DO65815026 | 26 | C | 36 | 23 | 30 | 16 |

SIZE 12-Point deep

| Type | A/F mm | DRWG | D1 mm | D2 mm | L mm | L2 mm |
|------|--------|------|-------|-------|------|-------|
|------|--------|------|-------|-------|------|-------|

Metrical

| | | | | | | |
|------------|----|---|------|----|----|----|
| DO65817006 | 6 | A | 11 | 19 | 63 | 5 |
| DO65817007 | 7 | A | 12 | 19 | 63 | 12 |
| DO65817008 | 8 | A | 13 | 19 | 63 | 12 |
| DO65817009 | 9 | A | 15 | 19 | 65 | 12 |
| DO65817010 | 10 | A | 16 | 19 | 65 | 22 |
| DO65817011 | 11 | A | 17,5 | 19 | 65 | 22 |
| DO65817012 | 12 | A | 18,5 | 19 | 65 | 22 |
| DO65817013 | 13 | A | 20 | 22 | 65 | 22 |
| DO65817014 | 14 | A | 21 | 22 | 65 | 22 |
| DO65817015 | 15 | B | 22 | 22 | 65 | 22 |
| DO65817016 | 16 | C | 24 | 22 | 65 | 24 |
| DO65817017 | 17 | C | 25 | 22 | 65 | 24 |
| DO65817018 | 18 | C | 26 | 22 | 65 | 24 |
| DO65817019 | 19 | C | 27 | 22 | 65 | 24 |
| DO65817020 | 20 | C | 28 | 22 | 65 | 24 |
| DO65817021 | 21 | C | 30 | 22 | 65 | 24 |
| DO65817022 | 22 | C | 31 | 23 | 65 | 24 |
| DO65817023 | 23 | C | 32 | 23 | 65 | 24 |
| DO65817024 | 24 | C | 34 | 23 | 65 | 24 |
| DO65817025 | 25 | C | 35 | 23 | 65 | 24 |
| DO65817026 | 26 | C | 36 | 23 | 65 | 24 |

Impact sockets

3/8" Drive

| SIZE | | | | | | |
|-----------------|--|--|--|--|--|---|
| 6-Point L = 150 | | | | | | 1 |

| Type | A/F mm | DRWG | D1 mm | D2 mm | L mm | L2 mm |
|------|--------|------|-------|-------|------|-------|
|------|--------|------|-------|-------|------|-------|

Metrical

| | | | | | | |
|------------|----|---|------|----|-----|----|
| DO60715006 | 6 | G | 11 | 19 | 150 | 4 |
| DO60715008 | 8 | G | 13 | 19 | 150 | 8 |
| DO60715010 | 10 | G | 16 | 19 | 150 | 8 |
| DO60715012 | 12 | G | 18,5 | 19 | 150 | 9 |
| DO60715013 | 13 | G | 20 | 22 | 150 | 9 |
| DO60715014 | 14 | G | 21 | 22 | 150 | 9 |
| DO60715015 | 15 | G | 22 | 22 | 150 | 11 |
| DO60715016 | 16 | G | 24 | 22 | 150 | 11 |
| DO60715017 | 17 | G | 25 | 22 | 150 | 11 |

| SIZE | | | | | | |
|-----------------|--|--|--|--|--|---|
| 6-Point L = 200 | | | | | | 2 |

| Type | A/F mm | DRWG | D1 mm | D2 mm | L mm | L2 mm |
|------|--------|------|-------|-------|------|-------|
|------|--------|------|-------|-------|------|-------|

Metrical

| | | | | | | |
|------------|----|---|------|----|-----|----|
| DO60716006 | 6 | G | 11 | 19 | 200 | 4 |
| DO60716008 | 8 | G | 13 | 19 | 200 | 8 |
| DO60716010 | 10 | G | 16 | 19 | 200 | 8 |
| DO60716012 | 12 | G | 18,5 | 19 | 200 | 9 |
| DO60716013 | 13 | G | 20 | 22 | 200 | 9 |
| DO60716014 | 14 | G | 21 | 22 | 200 | 9 |
| DO60716015 | 15 | G | 22 | 22 | 200 | 11 |
| DO60716016 | 16 | G | 24 | 22 | 200 | 11 |
| DO60716017 | 17 | G | 25 | 22 | 200 | 11 |

| SIZE | | | | | | |
|-----------------|--|--|--|--|--|---|
| 6-Point L = 250 | | | | | | 3 |

| Type | A/F mm | DRWG | D1 mm | D2 mm | L mm | L2 mm |
|------|--------|------|-------|-------|------|-------|
|------|--------|------|-------|-------|------|-------|

Metrical

| | | | | | | |
|------------|----|---|------|----|-----|----|
| DO60717006 | 6 | G | 11 | 19 | 250 | 4 |
| DO60717008 | 8 | G | 13 | 19 | 250 | 8 |
| DO60717010 | 10 | G | 16 | 19 | 250 | 8 |
| DO60717012 | 12 | G | 18,5 | 19 | 250 | 9 |
| DO60717013 | 13 | G | 20 | 22 | 250 | 9 |
| DO60717014 | 14 | G | 21 | 22 | 250 | 9 |
| DO60717015 | 15 | G | 22 | 22 | 250 | 11 |
| DO60717016 | 16 | G | 24 | 22 | 250 | 11 |
| DO60717017 | 17 | G | 25 | 22 | 250 | 11 |

| SIZE | | | | | | |
|----------------------|--|--|--|--|--|---|
| Surface Drive normal | | | | | | 4 |

| Type | A/F mm | DRWG | D1 mm | D2 mm | L mm | L2 mm |
|------|--------|------|-------|-------|------|-------|
|------|--------|------|-------|-------|------|-------|

Metrical

| | | | | | | |
|------------|----|---|------|----|----|----|
| DO63415008 | 8 | A | 13,8 | 19 | 32 | 8 |
| DO63415009 | 9 | A | 15 | 19 | 32 | 8 |
| DO63415010 | 10 | A | 16 | 19 | 32 | 8 |
| DO63415011 | 11 | A | 17,5 | 19 | 32 | 9 |
| DO63415012 | 12 | B | 19 | 19 | 32 | 9 |
| DO63415013 | 13 | A | 20 | 22 | 32 | 9 |
| DO63415014 | 14 | B | 22 | 22 | 32 | 9 |
| DO63415015 | 15 | B | 22 | 22 | 32 | 11 |
| DO63415016 | 16 | C | 24 | 22 | 32 | 11 |
| DO63415017 | 17 | C | 25 | 22 | 32 | 11 |
| DO63415018 | 18 | C | 26 | 22 | 32 | 11 |
| DO63415019 | 19 | C | 28 | 22 | 32 | 11 |

| SIZE | | | | | | |
|----------------------|--|--|--|--|--|---|
| Surface Drive normal | | | | | | 4 |

| Type | A/F | DRWG | D1 mm | D2 mm | L mm | L2 mm |
|------|-----|------|-------|-------|------|-------|
|------|-----|------|-------|-------|------|-------|

SAE

| | | | | | | |
|------------|--------|---|------|----|----|----|
| DO63410008 | 1/4" | A | 11,5 | 19 | 32 | 4 |
| DO63410010 | 5/16" | A | 13,8 | 19 | 32 | 8 |
| DO63410012 | 3/8" | A | 15,5 | 19 | 32 | 8 |
| DO63410014 | 7/16" | A | 17,5 | 19 | 32 | 9 |
| DO63410016 | 1/2" | A | 20 | 22 | 32 | 9 |
| DO63410018 | 9/16" | B | 22 | 22 | 32 | 11 |
| DO63410020 | 5/8" | C | 24 | 22 | 32 | 11 |
| DO63410022 | 11/16" | C | 26 | 22 | 32 | 11 |
| DO63410024 | 3/4" | C | 28 | 22 | 32 | 11 |

| SIZE | | | | | | |
|--------------------|--|--|--|--|--|---|
| Surface Drive deep | | | | | | 5 |

| Type | A/F mm | DRWG | D1 mm | D2 mm | L mm | L2 mm |
|------|--------|------|-------|-------|------|-------|
|------|--------|------|-------|-------|------|-------|

Metrical

| | | | | | | |
|------------|----|---|------|----|----|----|
| DO63417008 | 8 | A | 13,8 | 19 | 80 | 12 |
| DO63417009 | 9 | A | 15 | 19 | 80 | 12 |
| DO63417010 | 10 | A | 16 | 19 | 80 | 12 |
| DO63417011 | 11 | A | 17,5 | 19 | 80 | 25 |
| DO63417012 | 12 | B | 19 | 19 | 80 | 25 |
| DO63417013 | 13 | A | 20 | 22 | 80 | 25 |
| DO63417014 | 14 | B | 22 | 22 | 80 | 25 |
| DO63417015 | 15 | B | 22 | 22 | 80 | 25 |
| DO63417016 | 16 | C | 24 | 22 | 80 | 25 |
| DO63417017 | 17 | C | 25 | 22 | 80 | 25 |
| DO63417018 | 18 | C | 26 | 22 | 80 | 25 |
| DO63417019 | 19 | C | 28 | 22 | 80 | 25 |



1



2



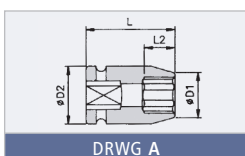
3



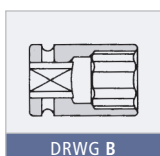
4



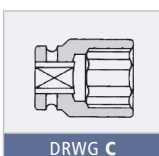
5



DRWG A



DRWG B



DRWG C



DRWG G

Impact sockets

3/8" Drive



1

| SIZE | | | | | | | 1 |
|--------------------|--------|------|-------|-------|------|-------|---|
| Surface Drive deep | | | | | | | |
| Type | A/F | DRWG | D1 mm | D2 mm | L mm | L2 mm | |
| SAE | | | | | | | |
| DO63412010 | 5/16" | A | 13,8 | 19 | 80 | 12 | |
| DO63412012 | 3/8" | A | 15,5 | 19 | 80 | 12 | |
| DO63412014 | 7/16" | A | 17,5 | 19 | 80 | 25 | |
| DO63412016 | 1/2" | A | 20 | 22 | 80 | 25 | |
| DO63412018 | 9/16" | B | 22 | 22 | 80 | 25 | |
| DO63412020 | 5/8" | C | 24 | 22 | 80 | 25 | |
| DO63412022 | 11/16" | C | 26 | 22 | 80 | 25 | |
| DO63412024 | 3/4" | C | 28 | 22 | 80 | 25 | |
| DO63410024 | 3/4" | C | 28 | 22 | 32 | 11 | |



2

| SIZE | | | | | | 2 |
|----------------|-----|------|-------|------|-------|---|
| Torx® internal | | | | | | |
| Type | A/F | DRWG | D2 mm | L mm | L2 mm | - |
| DO64711009 | T9 | F | 19 | 2,8 | 50 | - |
| DO64711010 | T10 | F | 19 | 2,8 | 50 | - |
| DO64711015 | T15 | F | 19 | 2,8 | 50 | - |
| DO64711020 | T20 | F | 19 | 3,0 | 50 | - |
| DO64711025 | T25 | F | 19 | 3,0 | 50 | - |
| DO64711027 | T27 | F | 19 | 3,8 | 50 | - |
| DO64711030 | T30 | F | 19 | 3,8 | 50 | - |
| DO64711040 | T40 | F | 19 | 4,3 | 50 | - |
| DO64711045 | T45 | F | 19 | 5,0 | 50 | - |
| DO64711047 | T47 | F | 19 | 5,0 | 50 | - |
| DO64711050 | T50 | F | 19 | 5,5 | 50 | - |



3

| SIZE | | | | | | | 3 |
|----------------|-----|------|-------|-------|------|-------|---|
| Torx® external | | | | | | | |
| Type | A/F | DRWG | D1 mm | D2 mm | L mm | L2 mm | |
| DO63310005 | E5 | A | 9 | 19 | 32 | 4,5 | |
| DO63310006 | E6 | A | 10 | 19 | 32 | 5 | |
| DO63310007 | E7 | A | 10 | 19 | 32 | 6 | |
| DO63310008 | E8 | A | 10,5 | 19 | 32 | 6 | |
| DO63310010 | E10 | A | 12,5 | 19 | 32 | 7,5 | |
| DO63310011 | E11 | A | 14,5 | 19 | 32 | 8 | |
| DO63310012 | E12 | A | 15 | 19 | 32 | 8,5 | |
| DO63310014 | E14 | A | 17,5 | 19 | 32 | 10 | |
| DO63310016 | E16 | B | 19 | 19 | 32 | 11 | |
| DO63310018 | E18 | B | 21 | 21 | 34 | 12,5 | |

| SIZE | | | | | | | 4 |
|--------------------------|-----|------|-------|-------|------|-------|---|
| Torx® thin wall external | | | | | | | |
| Type | A/F | DRWG | D1 mm | D2 mm | L mm | L2 mm | |
| DO63315005 | E5 | A | 8 | 19 | 32 | 4,5 | |
| DO63315006 | E6 | A | 9 | 19 | 32 | 5 | |
| DO63315007 | E7 | A | 9,3 | 19 | 32 | 6 | |
| DO63315008 | E8 | A | 10 | 19 | 32 | 6 | |
| DO63315010 | E10 | A | 12,3 | 19 | 32 | 7,5 | |
| DO63315011 | E11 | A | 13 | 19 | 32 | 8 | |
| DO63315012 | E12 | A | 14 | 19 | 32 | 8,5 | |
| DO63315014 | E14 | A | 16,5 | 19 | 32 | 10 | |
| DO63315016 | E16 | A | 18,4 | 19 | 32 | 11 | |

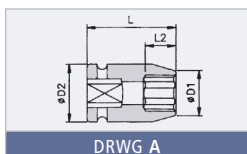
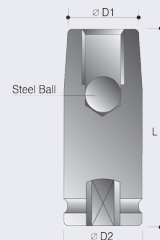


4

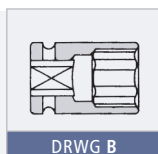
| SIZE | | | | | | 2 |
|---------------------------------|-----|------|-------|------|-------|---|
| Torx® Tamper Resistant internal | | | | | | |
| Type | A/F | DRWG | D2 mm | L mm | L2 mm | - |
| DO64716020 | T20 | F | 19 | 3,0 | 50 | - |
| DO64716025 | T25 | F | 19 | 3,0 | 50 | - |
| DO64716027 | T27 | F | 19 | 3,8 | 50 | - |
| DO64716030 | T30 | F | 19 | 3,8 | 50 | - |
| DO64716040 | T40 | F | 19 | 4,3 | 50 | - |
| DO64716045 | T45 | F | 19 | 5,0 | 50 | - |
| DO64716047 | T47 | F | 19 | 5,0 | 50 | - |
| DO64716050 | T50 | F | 19 | 5,5 | 50 | - |
| DO64716055 | T55 | F | 19 | 5,5 | 50 | - |

Stud Bolt Setters

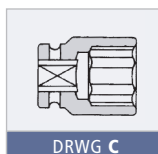
| Type | Size | D1 mm | D2 mm | L mm |
|------------|----------|-------|-------|------|
| DO69781050 | M5x0,8 | 22 | 12 | 50 |
| DO69781053 | M6x1,0 | 22 | 12,5 | 50 |
| DO69781059 | M8x1,0 | 22 | 15 | 50 |
| DO69781060 | M8x1,25 | 22 | 14,5 | 50 |
| DO69781062 | M10x1,25 | 22 | 18 | 50 |
| DO69781063 | M10x1,5 | 22 | 17 | 50 |
| DO69781066 | M12x1,75 | 22 | 19 | 50 |



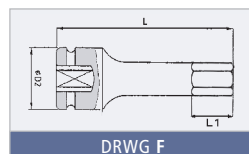
DRWG A



DRWG B



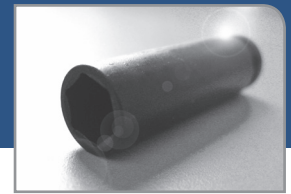
DRWG C



DRWG F

Impact sockets

3/8" Drive



Socket, thin wall

| SIZE | | | | | | |
|--------------------------|--------|------|-------|-------|------|-------|
| 6-Point thin wall normal | | | | | | 1 |
| Type | A/F mm | DRWG | D1 mm | D2 mm | L mm | L2 mm |
| Metrical | | | | | | |
| DO61110006 | 6 | A | 10,5 | 19 | 30 | 4 |
| DO61110007 | 7 | A | 11,5 | 19 | 30 | 8 |
| DO61110008 | 8 | A | 12,5 | 19 | 30 | 8 |
| DO61110009 | 9 | A | 14 | 19 | 30 | 8 |
| DO61110010 | 10 | A | 15 | 19 | 30 | 8 |
| DO61110011 | 11 | A | 17 | 19 | 30 | 9 |
| DO61110012 | 12 | A | 17,5 | 19 | 30 | 9 |
| DO61110013 | 13 | B | 19 | 19 | 30 | 9 |
| DO61110014 | 14 | B | 20 | 20 | 30 | 9 |

Thin wall sockets are not covered by the Action warranty.

| SIZE | | | | | | |
|------------------------|--------|------|-------|-------|------|-------|
| 6-Point thin wall deep | | | | | | 2 |
| Type | A/F mm | DRWG | D1 mm | D2 mm | L mm | L2 mm |
| Metrical | | | | | | |
| DO61112007 | 7 | A | 11,5 | 19 | 65 | 12 |
| DO61112008 | 8 | A | 12,5 | 19 | 65 | 12 |
| DO61112009 | 9 | A | 14 | 19 | 65 | 12 |
| DO61112010 | 10 | A | 15 | 19 | 65 | 25 |
| DO61112011 | 11 | A | 17 | 19 | 65 | 25 |
| DO61112012 | 12 | A | 17,5 | 19 | 65 | 25 |
| DO61112013 | 13 | B | 19 | 19 | 65 | 25 |
| DO61112014 | 14 | B | 20 | 20 | 65 | 25 |
| DO61112015 | 15 | A | 21 | 22 | 65 | 25 |
| DO61112016 | 16 | C | 22,5 | 22 | 65 | 25 |
| DO61112017 | 17 | C | 24 | 22 | 65 | 25 |
| DO61112018 | 18 | C | 25 | 22 | 65 | 25 |
| DO61112019 | 19 | C | 26 | 22 | 65 | 25 |
| DO61112020 | 20 | C | 27 | 22 | 65 | 25 |
| DO61112021 | 21 | C | 28 | 22 | 65 | 25 |
| DO61112022 | 22 | C | 30 | 23 | 65 | 25 |

Thin wall sockets are not covered by the Action warranty.

| SIZE | | | | | | |
|--|--------|------|-------|-------|------|-------|
| 6-Point Universal Joint sockets normal | | | | | | 3 |
| Type | A/F mm | DRWG | D1 mm | D2 mm | L mm | L2 mm |
| Metrical | | | | | | |
| DO1038-2-009 | 9 | E | 15 | 24 | 53 | 9 |
| DO1038-2-010 | 10 | E | 15 | 24 | 53 | 9 |
| DO1038-2-011 | 11 | E | 17 | 24 | 53 | 9 |
| DO1038-2-012 | 12 | E | 19 | 24 | 53 | 12 |
| DO1038-2-013 | 13 | E | 19 | 24 | 53 | 13 |
| DO1038-2-014 | 14 | E | 21 | 24 | 53 | 13 |
| DO1038-2-015 | 15 | E | 22 | 24 | 53 | 13 |
| DO1038-2-016 | 16 | E | 23 | 24 | 53 | 13 |
| DO1038-2-017 | 17 | E | 25 | 24 | 53 | 13 |
| DO1038-2-018 | 18 | E | 25 | 24 | 53 | 13 |
| DO1038-2-019 | 19 | E | 27 | 24 | 53 | 13 |
| DO1038-2-020 | 20 | E | 30 | 24 | 53 | 13 |
| DO1038-2-021 | 21 | E | 30 | 24 | 53 | 13 |
| DO1038-2-022 | 22 | E | 32 | 24 | 53 | 13 |

| SIZE | | | | | | |
|--------------------------------------|--------|------|-------|-------|------|-------|
| 6-Point Universal Joint sockets deep | | | | | | 4 |
| Type | A/F mm | DRWG | D1 mm | D2 mm | L mm | L2 mm |
| Metrical | | | | | | |
| DO1038-4-009 | 9 | E | 15 | 24 | 78 | 20 |
| DO1038-4-010 | 10 | E | 15 | 24 | 78 | 20 |
| DO1038-4-011 | 11 | E | 17 | 24 | 80 | 20 |
| DO1038-4-012 | 12 | E | 19 | 24 | 80 | 20 |
| DO1038-4-013 | 13 | E | 19 | 24 | 80 | 20 |
| DO1038-4-014 | 14 | E | 21 | 24 | 80 | 20 |
| DO1038-4-015 | 15 | E | 22 | 24 | 80 | 20 |
| DO1038-4-016 | 16 | E | 23 | 24 | 80 | 20 |
| DO1038-4-017 | 17 | E | 25 | 24 | 80 | 20 |
| DO1038-4-018 | 18 | E | 25 | 24 | 80 | 20 |
| DO1038-4-019 | 19 | E | 27 | 24 | 80 | 25 |
| DO1038-4-020 | 20 | E | 30 | 24 | 80 | 25 |
| DO1038-4-021 | 21 | E | 30 | 24 | 80 | 25 |
| DO1038-4-022 | 22 | E | 32 | 24 | 80 | 25 |

Universal joint sockets are secured by means of a ring and pin.



1



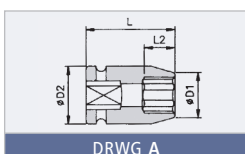
2



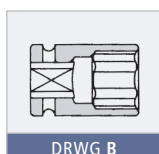
3



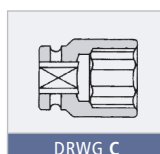
4



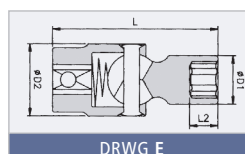
DRWG A



DRWG B



DRWG C



DRWG E

Impact sockets

3/8" Drive



Universal Joints Socket



1

| SIZE | | | | | | | 1 |
|----------------------------|--------|------|-------|-------|------|---|---|
| Hex Driver 6-Point (Inbus) | | | | | | | |
| Type | A/F mm | DRWG | D2 mm | L1 mm | L mm | - | |
| Metrical | | | | | | | |
| DO696203A | 3 | F | 19 | 16 | 50 | - | |
| DO696204A | 4 | F | 19 | 16 | 50 | - | |
| DO696205A | 5 | F | 19 | 16 | 50 | - | |
| DO696206A | 6 | F | 19 | 16 | 50 | - | |
| DO696207A | 7 | F | 19 | 16 | 50 | - | |
| DO696208A | 8 | F | 19 | 16 | 50 | - | |
| DO696209A | 9 | F | 19 | 16 | 50 | - | |
| DO696210A | 10 | F | 19 | 16 | 50 | - | |
| DO696211A | 11 | F | 19 | 16 | 50 | - | |
| DO696212A | 12 | F | 19 | 16 | 50 | - | |
| DO696213A | 13 | F | 19 | 16 | 50 | - | |
| DO696214A | 14 | F | 19 | 16 | 50 | - | |
| DO696215A | 15 | F | 19 | 16 | 50 | - | |
| DO696216A | 16 | F | 19 | 16 | 50 | - | |



2

| SIZE | | | | | | | 2 |
|-----------------|-----|------|-------|------|-------|---|---|
| Triple Square | | | | | | | |
| Type | A/F | DRWG | D2 mm | L mm | L1 mm | - | |
| Metrical | | | | | | | |
| DO65216005 | M5 | F | 19 | 50 | 7 | - | |
| DO65216006 | M6 | F | 19 | 50 | 7 | - | |
| DO65216008 | M8 | F | 19 | 50 | 9 | - | |
| DO65216010 | M10 | F | 19 | 50 | 9 | - | |
| DO65216012 | M12 | F | 19 | 50 | 11 | - | |
| DO65216014 | M14 | F | 19 | 50 | 11 | - | |
| DO65216016 | M16 | F | 19 | 50 | 13 | - | |



3

| SIZE | | | | | | | 3 |
|--------------------|-----|------|-------|------|-------|---|---|
| Triple Square long | | | | | | | |
| Type | A/F | DRWG | D2 mm | L mm | L1 mm | - | |
| Metrical | | | | | | | |
| DO65217005 | M5 | F | 19 | 100 | 7 | - | |
| DO65217006 | M6 | F | 19 | 100 | 7 | - | |
| DO65217008 | M8 | F | 19 | 100 | 9 | - | |
| DO65217010 | M10 | F | 19 | 100 | 9 | - | |
| DO65217012 | M12 | F | 19 | 100 | 11 | - | |
| DO65217014 | M14 | F | 19 | 100 | 11 | - | |
| DO65217016 | M16 | F | 19 | 100 | 13 | - | |



4

| SIZE | | 4 |
|--------------|--|---|
| Pin and Ring | | |
| DO1038-0-000 | | |



5

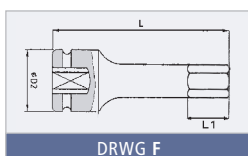
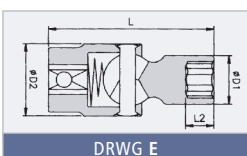
| SIZE | | | | | | | 4 |
|----------------------------------|--------|------|-------|------|-------|---|---|
| Universal Joint Hex Head 6-Point | | | | | | | |
| Type | A/F mm | DRWG | D2 mm | L mm | L2 mm | - | |
| Metrical | | | | | | | |
| DO65110005 | 5 | E | 24 | 60 | 11 | - | |
| DO65110006 | 6 | E | 24 | 60 | 11 | - | |
| DO65110007 | 7 | E | 24 | 60 | 15 | - | |
| DO65110008 | 8 | E | 24 | 60 | 15 | - | |
| DO65110009 | 9 | E | 24 | 60 | 15 | - | |
| DO65110010 | 10 | E | 24 | 60 | 15 | - | |
| DO65110011 | 11 | E | 24 | 60 | 15 | - | |
| DO65110012 | 12 | E | 24 | 60 | 15 | - | |
| DO65110013 | 13 | E | 24 | 60 | 15 | - | |
| DO65110014 | 14 | E | 24 | 60 | 15 | - | |
| DO65110015 | 15 | E | 24 | 60 | 15 | - | |
| DO65110016 | 16 | E | 24 | 60 | 15 | - | |

| SIZE | | | | | | | 5 |
|------------------------------------|-----|------|-------|------|---|---|---|
| Universal Joint for Torx® internal | | | | | | | |
| Type | A/F | DRWG | D2 mm | L mm | - | - | |
| DO64910020 | T20 | E | 24 | 60 | - | - | |
| DO64910025 | T25 | E | 24 | 60 | - | - | |
| DO64910027 | T27 | E | 24 | 60 | - | - | |
| DO64910030 | T30 | E | 24 | 60 | - | - | |
| DO64910040 | T40 | E | 24 | 60 | - | - | |
| DO64910045 | T45 | E | 24 | 60 | - | - | |
| DO64910047 | T47 | E | 24 | 60 | - | - | |
| DO64910050 | T50 | E | 24 | 60 | - | - | |
| DO64910055 | T55 | E | 24 | 60 | - | - | |

| SIZE | | | | | | | 6 |
|------------------------------------|-----|------|-------|------|-------|---|---|
| Universal Joint for Torx® external | | | | | | | |
| Type | A/F | DRWG | D2 mm | L mm | L2 mm | - | |
| DO68710005 | E5 | E | 24 | 50 | 4,5 | - | |
| DO68710006 | E6 | E | 24 | 50 | 5 | - | |
| DO68710007 | E7 | E | 24 | 50 | 6 | - | |
| DO68710008 | E8 | E | 24 | 50 | 6 | - | |
| DO68710010 | E10 | E | 24 | 50 | 7,5 | - | |
| DO68710012 | E12 | E | 24 | 50 | 8,5 | - | |
| DO68710014 | E14 | E | 24 | 50 | 10 | - | |
| DO68710016 | E16 | E | 24 | 50 | 11 | - | |



6



Impact sockets

3/8" Drive

| SIZE | | | | | | | 1 |
|-------------|--|--|--|--|--|--|---|
| RIBE Driver | | | | | | | |

| Type | A/F mm | DRWG | D2 mm | L mm | L1 mm | - |
|------|--------|------|-------|------|-------|---|
|------|--------|------|-------|------|-------|---|

Metrical

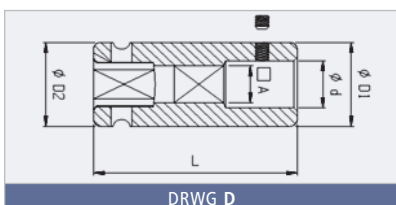
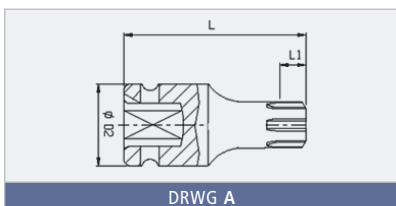
| | | | | | | |
|------------|-----|---|----|----|-----|---|
| DO65315005 | M5 | A | 19 | 50 | 4,5 | - |
| DO65315006 | M6 | A | 19 | 50 | 5 | - |
| DO65315007 | M7 | A | 19 | 50 | 6,5 | - |
| DO65315008 | M8 | A | 19 | 50 | 7,5 | - |
| DO65315010 | M10 | A | 19 | 50 | 9 | - |
| DO65315012 | M12 | A | 19 | 50 | 10 | - |
| DO65315014 | M14 | A | 19 | 50 | 12 | - |
| DO65315016 | M16 | A | 19 | 50 | 14 | - |

| SIZE | | | | | | | 2 |
|---------------------|--|--|--|--|--|--|---|
| Tap Holding sockets | | | | | | | |

| Type | A mm | DRWG | Ø D1 mm | Ø D2 mm | Ø d mm | L mm |
|------|------|------|---------|---------|--------|------|
|------|------|------|---------|---------|--------|------|

Metrical

| | | | | | | |
|------------|------|---|----|----|------|----|
| DO6321B001 | 3,4 | D | 19 | 19 | 4,5 | 38 |
| DO6321B002 | 4,9 | D | 19 | 19 | 6,0 | 38 |
| DO6321B003 | 5,5 | D | 19 | 19 | 7,0 | 40 |
| DO6321B004 | 6,2 | D | 19 | 19 | 8,0 | 40 |
| DO6321B005 | 7,0 | D | 19 | 19 | 9,0 | 43 |
| DO6321B006 | 8,0 | D | 19 | 19 | 10,0 | 45 |
| DO6321B007 | 9,0 | D | 19 | 19 | 11,0 | 45 |
| DO6321B008 | 9,0 | D | 22 | 22 | 12,0 | 45 |
| DO6321B009 | 11,0 | D | 22 | 22 | 14,0 | 45 |



1/2" Drive

| SIZE | | | | | | | 3 |
|---------|--|--|--|--|--|--|---|
| 4-Point | | | | | | | |

| Type | A/F mm | DRWG | D1 mm | D2 mm | L mm | L2 mm |
|------|--------|------|-------|-------|------|-------|
|------|--------|------|-------|-------|------|-------|

Metrical

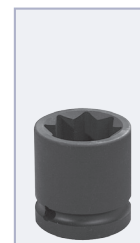
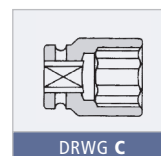
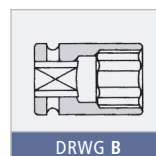
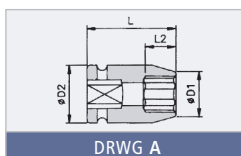
| | | | | | | |
|------------|----|---|------|----|----|----|
| DO63125008 | 8 | A | 19 | 25 | 40 | 9 |
| DO63125010 | 10 | A | 21,5 | 25 | 40 | 10 |
| DO63125011 | 11 | A | 23 | 25 | 40 | 11 |
| DO63125012 | 12 | A | 24 | 25 | 40 | 12 |
| DO63125013 | 13 | A | 26 | 30 | 40 | 12 |
| DO63125014 | 14 | A | 27,5 | 30 | 40 | 20 |
| DO63125016 | 16 | B | 30 | 30 | 40 | 20 |
| DO63125017 | 17 | C | 32 | 30 | 40 | 20 |
| DO63125019 | 19 | C | 36 | 30 | 45 | 20 |
| DO63125021 | 21 | C | 40 | 30 | 45 | 20 |
| DO63125022 | 22 | C | 42 | 30 | 45 | 20 |
| DO63125024 | 24 | C | 44 | 30 | 50 | 22 |
| DO63125030 | 30 | C | 53 | 30 | 50 | 22 |
| DO63125032 | 32 | C | 56 | 30 | 50 | 22 |

| SIZE | | | | | | | 4 |
|---------------|--|--|--|--|--|--|---|
| Double Square | | | | | | | |

| Type | A/F mm | DRWG | D1 mm | D2 mm | L mm | L2 mm |
|------|--------|------|-------|-------|------|-------|
|------|--------|------|-------|-------|------|-------|

Metrical

| | | | | | | |
|--------------|----|---|------|------|----|----|
| DO2012-8-017 | 17 | B | 30 | 30 | 38 | 11 |
| DO2012-8-019 | 19 | B | 34 | 34 | 40 | 13 |
| DO2012-8-022 | 22 | B | 38 | 38 | 40 | 15 |
| DO2012-8-024 | 24 | B | 42 | 38 | 45 | 18 |
| DO2012-8-027 | 27 | B | 46,5 | 46,5 | 50 | 19 |
| DO2012-8-028 | 28 | B | 49 | 49 | 50 | 19 |



Impact sockets

1/2" Drive



TiD-extra
Industrial Technologies d.o.o.

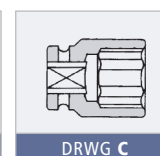
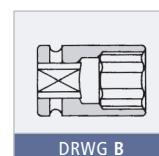
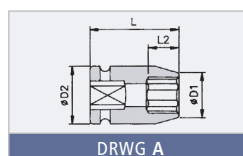
| SIZE | | | | | | |
|-----------------|--------|------|-------|-------|------|-------|
| 6-Point normal | | | | | | 1 |
| Type | A/F mm | DRWG | D1 mm | D2 mm | L mm | L2 mm |
| Metrical | | | | | | |
| DO2012-0-008 | 8 | A | 14,5 | 25 | 38 | 9 |
| DO2012-0-009 | 9 | A | 16 | 25 | 38 | 12 |
| DO2012-0-010 | 10 | A | 17 | 25 | 38 | 12 |
| DO2012-0-011 | 11 | A | 19 | 25 | 38 | 12 |
| DO2012-0-012 | 12 | A | 20 | 24 | 38 | 12 |
| DO2012-0-013 | 13 | A | 21 | 25 | 38 | 12 |
| DO2012-0-014 | 14 | A | 22 | 25 | 38 | 12 |
| DO2012-0-015 | 15 | A | 24 | 30 | 38 | 12 |
| DO2012-0-016 | 16 | A | 25 | 30 | 38 | 12 |
| DO2012-0-017 | 17 | A | 26 | 30 | 38 | 13 |
| DO2012-0-018 | 18 | A | 27,5 | 30 | 38 | 13 |
| DO2012-0-019 | 19 | A | 29 | 30 | 38 | 13 |
| DO2012-0-020 | 20 | B | 30 | 30 | 38 | 13 |
| DO2012-0-021 | 21 | B | 32 | 30 | 38 | 13 |
| DO2012-0-022 | 22 | C | 32 | 30 | 38 | 13 |
| DO2012-0-023 | 23 | C | 32,5 | 30 | 38 | 13 |
| DO2012-0-024 | 24 | C | 35 | 30 | 45 | 20 |
| DO2012-0-025 | 25 | C | 36 | 30 | 45 | 20 |
| DO2012-0-026 | 26 | C | 37,5 | 30 | 45 | 22 |
| DO2012-0-027 | 27 | C | 39 | 30 | 50 | 22 |
| DO2012-0-028 | 28 | C | 40 | 30 | 50 | 22 |
| DO2012-0-029 | 29 | C | 41 | 30 | 50 | 22 |
| DO2012-0-030 | 30 | C | 42,5 | 30 | 50 | 22 |
| DO2012-0-032 | 32 | C | 44 | 30 | 50 | 28 |
| DO2012-0-034 | 34 | C | 45 | 30 | 50 | 28 |
| DO2012-0-036 | 36 | C | 48 | 30 | 50 | 28 |
| DO2012-0-038 | 38 | C | 53 | 38 | 50 | 24 |
| DO2012-0-041 | 41 | C | 58 | 44 | 60 | 27 |
| DO2012-0-046 | 46 | C | 65 | 44 | 70 | 30 |

| SIZE | | | | | | |
|-----------------|---------|------|-------|-------|------|-------|
| 6-Point normal | | | | | | 1 |
| Type | A/F | DRWG | D1 mm | D2 mm | L mm | L2 mm |
| SAE | | | | | | |
| DO2012-0-3/8 | 3/8" | A | 16 | 22 | 38 | 12 |
| DO2012-0-7/16 | 7/16" | A | 18 | 22 | 38 | 12 |
| DO2012-0-1/2 | 1/2" | A | 20 | 22 | 38 | 12 |
| DO2012-0-9/16 | 9/16" | A | 22 | 24 | 38 | 12 |
| DO2012-0-5/8 | 5/8" | B | 25 | 25 | 38 | 12 |
| DO2012-0-11/16 | 11/16" | B | 26 | 26 | 38 | 13 |
| DO2012-0-3/4 | 3/4" | B | 28 | 28 | 38 | 13 |
| DO2012-0-13/16 | 13/16" | B | 30 | 30 | 38 | 13 |
| DO2012-0-7/8 | 7/8" | B | 32 | 32 | 38 | 13 |
| DO2012-0-15/16 | 15/16" | B | 34 | 34 | 38 | 13 |
| DO2012-0-1 | 1" | B | 36 | 36 | 38 | 14 |
| DO2012-0-1 1/16 | 1 1/16" | B | 38 | 38 | 40 | 16 |
| DO2012-0-1 1/8 | 1 1/8" | B | 40 | 38 | 40 | 16 |
| DO2012-0-1 3/16 | 1 3/16" | C | 42 | 38 | 40 | 16 |
| DO2012-0-1 1/4 | 1 1/4" | C | 44 | 38 | 40 | 18 |

| SIZE | | | | | | |
|-------------------------|--------|------|-------|-------|------|-------|
| 6-Point normal magnetic | | | | | | 2 |
| Type | A/F mm | DRWG | D1 mm | D2 mm | L mm | L2 mm |
| Metrical | | | | | | |
| DO6052P008 | 8 | A | 15 | 25 | 38 | 3 |
| DO6052P009 | 9 | A | 16 | 25 | 38 | 4 |
| DO6052P010 | 10 | A | 17,5 | 25 | 38 | 4 |
| DO6052P011 | 11 | A | 18,5 | 25 | 38 | 5 |
| DO6052P012 | 12 | A | 20 | 25 | 38 | 5 |
| DO6052P013 | 13 | A | 21 | 25 | 38 | 5 |
| DO6052P014 | 14 | A | 22,5 | 25 | 38 | 6 |
| DO6052P015 | 15 | A | 23,7 | 30 | 38 | 6 |
| DO6052P016 | 16 | A | 25 | 30 | 38 | 6 |
| DO6052P017 | 17 | A | 26,5 | 30 | 38 | 6 |
| DO6052P018 | 18 | A | 27,5 | 30 | 38 | 7 |
| DO6052P019 | 19 | A | 29 | 30 | 38 | 7 |
| DO6052P020 | 20 | B | 30 | 30 | 38 | 7 |
| DO6052P021 | 21 | C | 31 | 30 | 38 | 8 |
| DO6052P022 | 22 | C | 32,5 | 30 | 38 | 8 |
| DO6052P024 | 24 | C | 35 | 30 | 45 | 10 |

| SIZE | | | | | | |
|-----------------|--------|------|-------|-------|------|-------|
| 6-Point deep | | | | | | 3 |
| Type | A/F mm | DRWG | D1 mm | D2 mm | L mm | L2 mm |
| Metrical | | | | | | |
| DO2012-1-008 | 8 | A | 14,5 | 25 | 78 | 13 |
| DO2012-1-009 | 9 | A | 16 | 25 | 78 | 14 |
| DO2012-1-010 | 10 | A | 17 | 25 | 78 | 14 |
| DO2012-1-011 | 11 | A | 18 | 25 | 78 | 14 |
| DO2012-1-012 | 12 | A | 19,5 | 25 | 78 | 14 |
| DO2012-1-013 | 13 | A | 21 | 25 | 78 | 14 |
| DO2012-1-014 | 14 | A | 22 | 25 | 78 | 17 |
| DO2012-1-015 | 15 | A | 23,5 | 30 | 78 | 17 |
| DO2012-1-016 | 16 | A | 23,5 | 30 | 78 | 17 |
| DO2012-1-017 | 17 | A | 26 | 30 | 78 | 17 |
| DO2012-1-018 | 18 | A | 26 | 30 | 78 | 17 |
| DO2012-1-019 | 19 | A | 28 | 30 | 78 | 19 |
| DO2012-1-020 | 20 | B | 30,5 | 30 | 78 | 19 |
| DO2012-1-021 | 21 | B | 31 | 30 | 78 | 24 |
| DO2012-1-022 | 22 | C | 32,5 | 30 | 78 | 24 |
| DO2012-1-023 | 23 | C | 32,5 | 30 | 78 | 24 |
| DO2012-1-024 | 24 | C | 35 | 30 | 78 | 24 |
| DO2012-1-025 | 25 | C | 36 | 30 | 78 | 24 |
| DO2012-1-026 | 26 | C | 37,5 | 30 | 78 | 24 |

Continued next page ►



Impact sockets

1/2" Drive



Hex Head Impact Socket

| SIZE | | | | | | |
|--------------------------|--------|------|-------|-------|------|-------|
| 6-Point deep (continued) | | | | | | 1 |
| Type | A/F mm | DRWG | D1 mm | D2 mm | L mm | L2 mm |
| Metrical | | | | | | |
| DO2012-1-027 | 27 | C | 38 | 30 | 78 | 54 |
| DO2012-1-028 | 28 | C | 40 | 30 | 78 | 54 |
| DO2012-1-029 | 29 | C | 40 | 30 | 78 | 54 |
| DO2012-1-030 | 30 | C | 42 | 30 | 78 | 54 |
| DO2012-1-031 | 31 | C | 43 | 30 | 78 | 54 |
| DO2012-1-032 | 32 | C | 45 | 30 | 78 | 54 |
| DO2012-1-033 | 33 | C | 45 | 30 | 78 | 22 |
| DO2012-1-034 | 34 | C | 45 | 30 | 78 | 22 |
| DO2012-1-035 | 35 | C | 47 | 30 | 78 | 22 |
| DO2012-1-036 | 36 | C | 49 | 30 | 78 | 24 |
| DO2012-1-041 | 41 | C | 48 | 44 | 93 | 58 |
| DO2012-1-046 | 46 | C | 65 | 44 | 93 | 58 |

| SIZE | | | | | | |
|----------------|--------|------|-------|-------|------|-------|
| 6-Point deep | | | | | | 1 |
| Type | A/F | DRWG | D1 mm | D2 mm | L mm | L2 mm |
| SAE | | | | | | |
| DO2012-1-7/16 | 7/16" | A | 18 | 22 | 78 | 14 |
| DO2012-1-1/2 | 1/2" | A | 20 | 22 | 78 | 14 |
| DO2012-1-9/16 | 9/16" | A | 22 | 24 | 78 | 17 |
| DO2012-1-5/8 | 5/8" | B | 26 | 26 | 78 | 17 |
| DO2012-1-11/16 | 11/16" | B | 26 | 26 | 78 | 17 |
| DO2012-1-3/4 | 3/4" | B | 28 | 28 | 78 | 19 |
| DO2012-1-13/16 | 13/16" | B | 30 | 30 | 78 | 24 |
| DO2012-1-7/8 | 7/8" | B | 32 | 32 | 78 | 24 |

| SIZE | | | | | | |
|-----------------------|--------|------|-------|-------|------|-------|
| 6-Point deep magnetic | | | | | | 2 |
| Type | A/F mm | DRWG | D1 mm | D2 mm | L mm | L2 mm |
| Metrical | | | | | | |
| DO6052R008 | 8 | A | 15 | 25 | 78 | 3 |
| DO6052R009 | 9 | A | 16 | 25 | 78 | 4 |
| DO6052R010 | 10 | A | 17,5 | 25 | 78 | 4 |
| DO6052R011 | 11 | A | 18,5 | 25 | 78 | 5 |
| DO6052R012 | 12 | A | 20 | 25 | 78 | 5 |
| DO6052R013 | 13 | A | 21 | 25 | 78 | 5 |
| DO6052R014 | 14 | A | 22,5 | 25 | 78 | 6 |
| DO6052R015 | 15 | A | 23,7 | 30 | 78 | 6 |
| DO6052R016 | 16 | A | 25 | 30 | 78 | 6 |
| DO6052R017 | 17 | A | 26,5 | 30 | 78 | 6 |
| DO6052R018 | 18 | A | 27,5 | 30 | 78 | 7 |
| DO6052R019 | 19 | A | 29 | 30 | 78 | 7 |
| DO6052R020 | 20 | B | 30 | 30 | 78 | 7 |
| DO6052R021 | 21 | C | 31 | 30 | 78 | 8 |
| DO6052R022 | 22 | C | 32,5 | 30 | 78 | 8 |
| DO6052R024 | 24 | C | 35 | 30 | 78 | 10 |

| SIZE | | | | | | |
|--------------------------|--------|------|-------|-------|------|-------|
| 6-Point thin wall normal | | | | | | 3 |
| Type | A/F mm | DRWG | D1 mm | D2 mm | L mm | L2 mm |
| Metrical | | | | | | |
| DO61120008 | 8 | A | 13 | 25 | 38 | 6 |
| DO61120009 | 9 | A | 14,5 | 25 | 38 | 6 |
| DO61120010 | 10 | A | 15,5 | 25 | 38 | 7 |
| DO61120011 | 11 | A | 16,7 | 25 | 38 | 8 |
| DO61120012 | 12 | A | 18 | 25 | 38 | 9 |
| DO61120013 | 13 | A | 19,2 | 25 | 38 | 9 |
| DO61120014 | 14 | A | 21 | 25 | 38 | 11 |
| DO61120015 | 15 | A | 21,7 | 30 | 38 | 11 |
| DO61120016 | 16 | A | 23 | 30 | 38 | 11 |
| DO61120017 | 17 | B | 24 | 30 | 38 | 11 |
| DO61120018 | 18 | B | 25 | 30 | 38 | 13 |
| DO61120019 | 19 | B | 26 | 30 | 38 | 13 |
| DO61120020 | 20 | B | 27,5 | 30 | 38 | 13 |
| DO61120021 | 21 | B | 28 | 30 | 38 | 15 |
| DO61120022 | 22 | B | 29,5 | 30 | 38 | 15 |
| DO61120023 | 23 | C | 30,5 | 30 | 38 | 15 |
| DO61120024 | 24 | C | 32 | 30 | 45 | 18 |
| DO61120025 | 25 | C | 34 | 30 | 45 | 18 |
| DO61120026 | 26 | C | 35 | 30 | 50 | 18 |
| DO61120027 | 27 | C | 36 | 30 | 50 | 19 |
| DO61120028 | 28 | C | 37 | 30 | 50 | 20 |
| DO61120029 | 29 | C | 38 | 30 | 50 | 20 |
| DO61120030 | 30 | C | 40 | 30 | 50 | 21 |
| DO61120031 | 31 | C | 41 | 30 | 50 | 21 |
| DO61120032 | 32 | C | 42 | 30 | 50 | 22 |

| SIZE | | | | | | |
|------------------------|--------|------|-------|-------|------|-------|
| 6-Point thin wall deep | | | | | | 4 |
| Type | A/F mm | DRWG | D1 mm | D2 mm | L mm | L2 mm |
| Metrical | | | | | | |
| DO61122008 | 8 | A | 14 | 22 | 78 | 13 |
| DO61122009 | 9 | A | 14,5 | 22 | 78 | 14 |
| DO61122010 | 10 | A | 15,5 | 22 | 78 | 14 |
| DO61122011 | 11 | A | 16,7 | 22 | 78 | 14 |
| DO61122012 | 12 | A | 18 | 22 | 78 | 14 |
| DO61122013 | 13 | A | 19,2 | 24 | 78 | 14 |
| DO61122014 | 14 | A | 21 | 24 | 78 | 17 |
| DO61122015 | 15 | A | 21,7 | 24 | 78 | 17 |
| DO61122016 | 16 | A | 23 | 24 | 78 | 17 |
| DO61122017 | 17 | B | 24 | 24 | 78 | 17 |



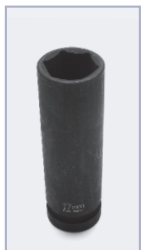
1



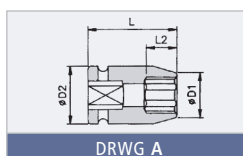
2



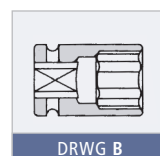
3



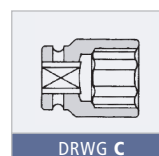
4



DRWG A



DRWG B



DRWG C

Impact sockets

1/2" Drive



1



2



3



4



5

SIZE

6-Point thin wall deep



1

| Type | A/F mm | DRWG | D1 mm | D2 mm | L mm | L2 mm |
|------|--------|------|-------|-------|------|-------|
|------|--------|------|-------|-------|------|-------|

Metrical

| | | | | | | |
|------------|----|---|------|------|----|----|
| DO61122018 | 18 | B | 25 | 25 | 78 | 17 |
| DO61122019 | 19 | B | 26 | 26 | 78 | 19 |
| DO61122020 | 20 | B | 27,5 | 27,5 | 78 | 19 |
| DO61122021 | 21 | B | 28 | 28 | 78 | 24 |
| DO61122022 | 22 | B | 29,5 | 29,5 | 78 | 24 |
| DO61122023 | 23 | B | 30,5 | 30,5 | 78 | 24 |
| DO61122024 | 24 | B | 32 | 32 | 78 | 24 |
| DO61122025 | 25 | B | 33 | 33 | 78 | 24 |
| DO61122026 | 26 | B | 35 | 35 | 78 | 24 |
| DO61122027 | 27 | B | 36 | 36 | 78 | 24 |
| DO61122028 | 28 | B | 37,5 | 37,5 | 78 | 24 |
| DO61122029 | 29 | C | 38,5 | 38 | 78 | 54 |
| DO61122030 | 30 | C | 40 | 38 | 78 | 54 |
| DO61122031 | 31 | C | 41 | 38 | 78 | 54 |
| DO61122032 | 32 | C | 42 | 38 | 78 | 54 |

Thin wall sockets are not covered by the Action warranty.

SIZE

6-Point thin wall deep with plastic stop and sleeve



2

| Type | A/F mm | DRWG | D1 mm | D2 mm | D3 mm | L mm | L2 mm |
|------|--------|------|-------|-------|-------|------|-------|
|------|--------|------|-------|-------|-------|------|-------|

Metrical

| | | | | | | | |
|---------------------|----|---|------|----|------|-----|----|
| DO61126015 (white) | 15 | H | 22 | 30 | 25 | 85 | 13 |
| DO61126017 (blue) | 17 | H | 24 | 30 | 27 | 85 | 14 |
| DO61126019 (yellow) | 19 | H | 26 | 30 | 29 | 85 | 15 |
| DO61126021 (red) | 21 | H | 28 | 30 | 31 | 85 | 17 |
| DO61126022 (green) | 22 | H | 29,5 | 30 | 32,5 | 85 | 18 |
| DO6112J017 (blue) | 17 | H | 24 | 30 | 27 | 130 | 14 |
| DO6112J019 (yellow) | 19 | H | 26 | 30 | 29 | 130 | 15 |
| DO6112J021 (red) | 21 | H | 28 | 30 | 31 | 130 | 17 |
| DO6112J022 (green) | 22 | H | 29,5 | 30 | 32,5 | 130 | 18 |

Thin wall sockets are not covered by the Action warranty.

SIZE

6-Point L = 150



3

| Type | A/F mm | DRWG | D1 mm | D2 mm | L mm | L2 mm |
|------|--------|------|-------|-------|------|-------|
|------|--------|------|-------|-------|------|-------|

Metrical

| | | | | | | |
|------------|----|---|------|----|-----|----|
| DO60725008 | 8 | G | 15 | 25 | 150 | 10 |
| DO60725010 | 10 | G | 17 | 25 | 150 | 12 |
| DO60725012 | 12 | G | 19,5 | 25 | 150 | 12 |
| DO60725013 | 13 | G | 20,5 | 25 | 150 | 12 |
| DO60725014 | 14 | G | 22 | 25 | 150 | 12 |
| DO60725015 | 15 | G | 23 | 25 | 150 | 12 |
| DO60725017 | 17 | G | 25,5 | 25 | 150 | 13 |
| DO60725019 | 19 | G | 28 | 25 | 150 | 13 |
| DO60725020 | 20 | G | 30 | 25 | 150 | 13 |
| DO60725021 | 21 | G | 30 | 25 | 150 | 13 |

SIZE

6-Point L = 200



4

| Type | A/F mm | DRWG | D1 mm | D2 mm | L mm | L2 mm |
|------|--------|------|-------|-------|------|-------|
|------|--------|------|-------|-------|------|-------|

Metrical

| | | | | | | |
|------------|----|---|------|----|-----|----|
| DO60726008 | 8 | G | 15 | 25 | 200 | 10 |
| DO60726010 | 10 | G | 17 | 25 | 200 | 12 |
| DO60726012 | 12 | G | 19,5 | 25 | 200 | 12 |
| DO60726013 | 13 | G | 20,5 | 25 | 200 | 12 |
| DO60726014 | 14 | G | 22 | 25 | 200 | 12 |
| DO60726015 | 15 | G | 23 | 25 | 200 | 12 |
| DO60726017 | 17 | G | 25,5 | 25 | 200 | 13 |
| DO60726019 | 19 | G | 28 | 25 | 200 | 13 |
| DO60726020 | 20 | G | 30 | 25 | 200 | 13 |
| DO60726021 | 21 | G | 30 | 25 | 200 | 13 |

SIZE

6-Point L = 250

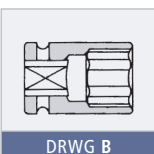


5

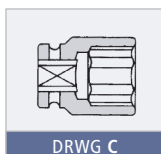
| Type | A/F mm | DRWG | D1 mm | D2 mm | L mm | L2 mm |
|------|--------|------|-------|-------|------|-------|
|------|--------|------|-------|-------|------|-------|

Metrical

| | | | | | | |
|------------|----|---|------|----|-----|----|
| DO60727008 | 8 | G | 15 | 25 | 250 | 10 |
| DO60727010 | 10 | G | 17 | 25 | 250 | 12 |
| DO60727012 | 12 | G | 19,5 | 25 | 250 | 12 |
| DO60727013 | 13 | G | 20,5 | 25 | 250 | 12 |
| DO60727014 | 14 | G | 22 | 25 | 250 | 12 |
| DO60727015 | 15 | G | 23 | 25 | 250 | 12 |
| DO60727017 | 17 | G | 25,5 | 25 | 250 | 13 |
| DO60727019 | 19 | G | 28 | 25 | 250 | 13 |
| DO60727020 | 20 | G | 30 | 25 | 250 | 13 |
| DO60727021 | 21 | G | 30 | 25 | 250 | 13 |



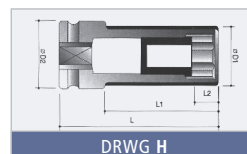
DRWG B



DRWG C



DRWG G



DRWG H

Impact sockets

1/2" Drive

| SIZE | | | | | | |
|-----------------|--------|------|-------|-------|------|-------|
| 12-Point normal | | | | | | 1 |
| Type | A/F mm | DRWG | D1 mm | D2 mm | L mm | L2 mm |
| Metrical | | | | | | |
| D063825006 | 6 | A | 13 | 25 | 38 | 5 |
| D063825008 | 8 | A | 14 | 25 | 38 | 6 |
| D063825009 | 9 | A | 16 | 25 | 38 | 6 |
| D063825010 | 10 | A | 17,5 | 25 | 38 | 7 |
| D063825011 | 11 | A | 19 | 25 | 38 | 8 |
| D063825012 | 12 | A | 20 | 25 | 38 | 9 |
| D063825013 | 13 | A | 21 | 25 | 38 | 9 |
| D063825014 | 14 | A | 22,5 | 25 | 38 | 11 |
| D063825015 | 15 | A | 23,5 | 30 | 38 | 11 |
| D063825016 | 16 | A | 25 | 30 | 38 | 11 |
| D063825017 | 17 | A | 26,5 | 30 | 40 | 11 |
| D063825018 | 18 | A | 27,5 | 30 | 40 | 13 |
| D063825019 | 19 | A | 29 | 30 | 40 | 13 |
| D063825020 | 20 | B | 30 | 30 | 40 | 13 |
| D063825021 | 21 | C | 31 | 30 | 40 | 15 |
| D063825022 | 22 | C | 32,5 | 30 | 40 | 15 |
| D063825023 | 23 | C | 34 | 30 | 40 | 15 |
| D063825024 | 24 | C | 35 | 30 | 45 | 18 |
| D063825025 | 25 | C | 36 | 30 | 45 | 18 |
| D063825026 | 26 | C | 38 | 30 | 50 | 18 |
| D063825027 | 27 | C | 39 | 30 | 50 | 19 |
| D063825028 | 28 | C | 40 | 30 | 50 | 19 |
| D063825029 | 29 | C | 41 | 30 | 50 | 19 |
| D063825030 | 30 | C | 42,5 | 30 | 50 | 21 |
| D063825032 | 32 | C | 44 | 30 | 50 | 22 |
| D063825033 | 33 | C | 46,5 | 30 | 50 | 22 |
| D063825036 | 36 | C | 50,5 | 30 | 50 | 24 |

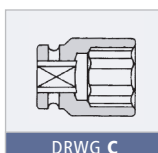
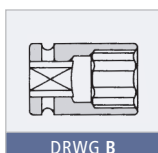
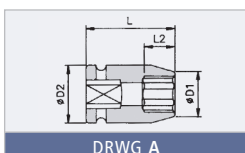
| SIZE | | | | | | |
|-----------------|--------|------|-------|-------|------|-------|
| 12-Point deep | | | | | | 2 |
| Type | A/F mm | DRWG | D1 mm | D2 mm | L mm | L2 mm |
| Metrical | | | | | | |
| D065827006 | 6 | A | 13 | 25 | 83 | 5 |
| D065827007 | 7 | A | 14 | 25 | 83 | 5 |
| D065827008 | 8 | A | 15 | 25 | 83 | 6 |
| D065827009 | 9 | A | 16 | 25 | 83 | 6 |
| D065827010 | 10 | A | 17,5 | 25 | 83 | 7 |
| D065827011 | 11 | A | 19 | 25 | 83 | 8 |
| D065827012 | 12 | A | 20 | 25 | 83 | 9 |
| D065827013 | 13 | A | 21 | 25 | 83 | 9 |
| D065827014 | 14 | A | 22,5 | 25 | 83 | 11 |
| D065827015 | 15 | A | 23,5 | 30 | 83 | 11 |
| D065827016 | 16 | A | 25 | 30 | 83 | 11 |
| D065827017 | 17 | A | 26,5 | 30 | 83 | 11 |
| D065827018 | 18 | A | 27,5 | 30 | 83 | 13 |
| D065827019 | 19 | A | 29 | 30 | 83 | 13 |
| D065827020 | 20 | B | 30 | 30 | 83 | 13 |
| D065827021 | 21 | C | 31 | 30 | 83 | 15 |
| D065827022 | 22 | C | 32,5 | 30 | 90 | 15 |
| D065827023 | 23 | C | 34 | 30 | 90 | 15 |
| D065827024 | 24 | C | 35 | 30 | 90 | 18 |
| D065827025 | 25 | C | 36 | 30 | 90 | 18 |
| D065827026 | 26 | C | 38 | 30 | 90 | 18 |
| D065827027 | 27 | C | 39 | 30 | 90 | 19 |
| D065827028 | 28 | C | 40 | 30 | 90 | 19 |
| D065827029 | 29 | C | 41 | 30 | 90 | 19 |
| D065827030 | 30 | C | 42,5 | 30 | 90 | 21 |
| D065827031 | 31 | C | 44 | 30 | 90 | 21 |
| D065827032 | 32 | C | 45 | 30 | 90 | 22 |
| D065827033 | 33 | C | 46,5 | 30 | 90 | 22 |
| D065827034 | 34 | C | 48 | 30 | 90 | 22 |
| D065827035 | 35 | C | 49,5 | 30 | 90 | 22 |
| D065827036 | 36 | C | 50,5 | 30 | 90 | 24 |
| D065827038 | 38 | C | 53 | 38 | 90 | 24 |
| D065827039 | 39 | C | 54,5 | 44 | 93 | 24 |
| D065827040 | 40 | C | 56 | 44 | 93 | 58 |
| D065827041 | 41 | C | 58 | 44 | 93 | 58 |
| D065827042 | 42 | C | 60 | 44 | 93 | 58 |
| D065827043 | 43 | C | 61 | 44 | 93 | 58 |
| D065827044 | 44 | C | 63 | 44 | 93 | 58 |
| D065827045 | 45 | C | 64 | 44 | 93 | 58 |
| D065827046 | 46 | C | 65 | 44 | 93 | 58 |
| D065827047 | 47 | C | 66,5 | 44 | 93 | 58 |
| D065827048 | 48 | C | 68 | 44 | 93 | 58 |
| D065827049 | 49 | C | 69 | 44 | 93 | 58 |
| D065827050 | 50 | C | 70 | 52 | 93 | 58 |
| D065827051 | 51 | C | 71 | 52 | 93 | 58 |
| D065827052 | 52 | C | 72,5 | 52 | 93 | 58 |
| D065827053 | 53 | C | 74 | 52 | 93 | 58 |
| D065827054 | 54 | C | 75 | 52 | 93 | 58 |
| D065827055 | 55 | C | 76 | 52 | 93 | 58 |
| D065827056 | 56 | C | 77 | 52 | 93 | 58 |
| D065827057 | 57 | C | 78 | 52 | 93 | 58 |
| D065827058 | 58 | C | 79 | 52 | 93 | 58 |



1



2



Impact sockets

1/2" Drive



1



2



3



4

TiD-extra
Industrial Technologies d.o.o.

SIZE

Surface Drive normal



1

| Type | A/F mm | DRWG | D1 mm | D2 mm | L mm | L2 mm |
|------|--------|------|-------|-------|------|-------|
|------|--------|------|-------|-------|------|-------|

Metrical

| | | | | | | |
|------------|----|---|------|----|----|----|
| DO63425010 | 10 | A | 17,5 | 25 | 38 | 12 |
| DO63425011 | 11 | A | 18,7 | 25 | 38 | 12 |
| DO63425012 | 12 | A | 20 | 25 | 38 | 12 |
| DO63425013 | 13 | A | 21 | 25 | 38 | 12 |
| DO63425014 | 14 | A | 22,5 | 25 | 38 | 12 |
| DO63425015 | 15 | A | 23,7 | 30 | 38 | 12 |
| DO63425016 | 16 | A | 25 | 30 | 38 | 12 |
| DO63425017 | 17 | A | 26 | 30 | 38 | 13 |
| DO63425018 | 18 | A | 27,5 | 30 | 38 | 13 |
| DO63425019 | 19 | A | 28,7 | 30 | 38 | 13 |
| DO63425020 | 20 | B | 30 | 30 | 38 | 13 |
| DO63425021 | 21 | B | 30 | 30 | 38 | 13 |
| DO63425022 | 22 | C | 32 | 30 | 38 | 13 |
| DO63425023 | 23 | C | 32 | 30 | 38 | 13 |
| DO63425024 | 24 | C | 35 | 30 | 45 | 20 |
| DO63425026 | 26 | C | 38 | 30 | 50 | 22 |
| DO63425027 | 27 | C | 38,7 | 30 | 50 | 22 |
| DO63425029 | 29 | C | 40 | 30 | 50 | 22 |
| DO63425030 | 30 | C | 42 | 30 | 50 | 22 |
| DO63425032 | 32 | C | 44 | 30 | 50 | 28 |

SIZE

Surface Drive deep

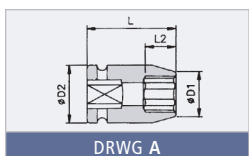


2

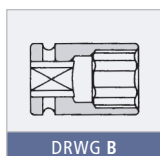
| Type | A/F mm | DRWG | D1 mm | D2 mm | L mm | L2 mm |
|------|--------|------|-------|-------|------|-------|
|------|--------|------|-------|-------|------|-------|

Metrical

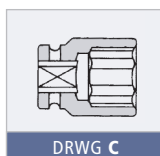
| | | | | | | |
|------------|----|---|------|----|----|----|
| DO63427010 | 10 | A | 17,5 | 25 | 83 | 14 |
| DO63427011 | 11 | A | 18,7 | 25 | 83 | 14 |
| DO63427012 | 12 | A | 20 | 25 | 83 | 14 |
| DO63427013 | 13 | A | 21 | 25 | 83 | 14 |
| DO63427014 | 14 | A | 22,5 | 25 | 83 | 17 |
| DO63427015 | 15 | A | 23,7 | 30 | 83 | 17 |
| DO63427016 | 16 | A | 25 | 30 | 83 | 17 |
| DO63427017 | 17 | A | 26 | 30 | 83 | 17 |
| DO63427018 | 18 | A | 27,5 | 30 | 83 | 17 |
| DO63427019 | 19 | A | 28,7 | 30 | 83 | 19 |
| DO63427020 | 20 | B | 30 | 30 | 83 | 19 |
| DO63427021 | 21 | B | 30 | 30 | 83 | 24 |
| DO63427022 | 22 | C | 32 | 30 | 90 | 24 |
| DO63427023 | 23 | C | 32 | 30 | 90 | 24 |
| DO63427024 | 24 | C | 35 | 30 | 90 | 24 |
| DO63427026 | 26 | C | 38 | 30 | 90 | 24 |
| DO63427027 | 27 | C | 38,7 | 30 | 90 | 24 |
| DO63427029 | 29 | C | 40 | 30 | 90 | 24 |
| DO63427030 | 30 | C | 42 | 30 | 90 | 24 |
| DO63427032 | 32 | C | 44 | 30 | 90 | 24 |



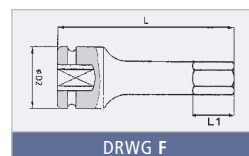
DRWG A



DRWG B



DRWG C



DRWG F

SIZE

Torx® internal



3

| Type | A/F | DRWG | D2 mm | L1 mm | L mm | - |
|------|-----|------|-------|-------|------|---|
|------|-----|------|-------|-------|------|---|

| | | | | | | |
|------------|-----|---|----|-----|----|---|
| DO64721020 | T20 | F | 25 | 2,8 | 55 | - |
| DO64721025 | T25 | F | 25 | 3,0 | 55 | - |
| DO64721027 | T27 | F | 25 | 3,0 | 55 | - |
| DO64721030 | T30 | F | 25 | 3,8 | 55 | - |
| DO64721040 | T40 | F | 25 | 3,8 | 55 | - |
| DO64721045 | T45 | F | 25 | 4,3 | 55 | - |
| DO64721047 | T47 | F | 25 | 5,0 | 55 | - |
| DO64721050 | T50 | F | 25 | 5,0 | 55 | - |
| DO64721055 | T55 | F | 25 | 5,5 | 55 | - |
| DO64721060 | T60 | F | 25 | 8,0 | 55 | - |
| DO64721070 | T70 | F | 25 | 9,4 | 55 | - |

SIZE

Torx® internal long



4

| Type | A/F | DRWG | D2 mm | L1 mm | L mm | - |
|------|-----|------|-------|-------|------|---|
|------|-----|------|-------|-------|------|---|

| | | | | | | |
|------------|-----|---|----|-----|----|---|
| DO64722020 | T20 | F | 25 | 2,8 | 75 | - |
| DO64722025 | T25 | F | 25 | 3,0 | 75 | - |
| DO64722027 | T27 | F | 25 | 3,0 | 75 | - |
| DO64722030 | T30 | F | 25 | 3,8 | 75 | - |
| DO64722040 | T40 | F | 25 | 3,8 | 75 | - |
| DO64722045 | T45 | F | 25 | 4,3 | 75 | - |
| DO64722047 | T47 | F | 25 | 5,0 | 75 | - |
| DO64722050 | T50 | F | 25 | 5,0 | 75 | - |
| DO64722055 | T55 | F | 25 | 5,5 | 75 | - |
| DO64722060 | T60 | F | 25 | 8,0 | 75 | - |
| DO64722070 | T70 | F | 25 | 9,4 | 75 | - |

Impact sockets

1/2" Drive



Hex Head Impact Socket

| SIZE | | | | | | | 1 |
|---------------------------------|-----|------|-------|-------|------|---|---|
| Torx® Tamper Resistant internal | | | | | | | |
| Type | A/F | DRWG | D2 mm | L1 mm | L mm | - | |
| DO64726020 | T20 | F | 25 | 2,8 | 55 | - | |
| DO64726025 | T25 | F | 25 | 3,0 | 55 | - | |
| DO64726027 | T27 | F | 25 | 3,0 | 55 | - | |
| DO64726030 | T30 | F | 25 | 3,8 | 55 | - | |
| DO64726040 | T40 | F | 25 | 3,8 | 55 | - | |
| DO64726045 | T45 | F | 25 | 4,3 | 55 | - | |
| DO64726047 | T47 | F | 25 | 5,0 | 55 | - | |
| DO64726050 | T50 | F | 25 | 5,0 | 55 | - | |
| DO64726055 | T55 | F | 25 | 5,5 | 55 | - | |
| DO64726060 | T60 | F | 25 | 8,0 | 55 | - | |
| DO64726070 | T70 | F | 25 | 9,4 | 55 | - | |

| SIZE | | | | | | | 2 |
|--------------------------------------|-----|------|-------|-------|------|---|---|
| Torx® Tamper Resistant internal long | | | | | | | |
| Type | A/F | DRWG | D2 mm | L1 mm | L mm | - | |
| DO64727020 | T20 | F | 25 | 2,8 | 75 | - | |
| DO64727025 | T25 | F | 25 | 3,0 | 75 | - | |
| DO64727027 | T27 | F | 25 | 3,0 | 75 | - | |
| DO64727030 | T30 | F | 25 | 3,8 | 75 | - | |
| DO64727040 | T40 | F | 25 | 3,8 | 75 | - | |
| DO64727045 | T45 | F | 25 | 4,3 | 75 | - | |
| DO64727047 | T47 | F | 25 | 5,0 | 75 | - | |
| DO64727050 | T50 | F | 25 | 5,0 | 75 | - | |
| DO64727055 | T55 | F | 25 | 5,5 | 75 | - | |
| DO64727060 | T60 | F | 25 | 8,0 | 75 | - | |
| DO64727070 | T70 | F | 25 | 9,4 | 75 | - | |

| SIZE | | | | | | | 3 |
|----------------|-----|------|-------|-------|------|-------|---|
| Torx® external | | | | | | | |
| Type | A/F | DRWG | D1 mm | D2 mm | L mm | L2 mm | |
| DO63320010 | E10 | A | 15 | 25 | 38 | 7,5 | |
| DO63320011 | E11 | A | 15,5 | 25 | 38 | 8 | |
| DO63320012 | E12 | A | 16 | 25 | 38 | 8,5 | |
| DO63320014 | E14 | A | 18,5 | 25 | 38 | 10 | |
| DO63320016 | E16 | A | 20 | 25 | 38 | 11 | |
| DO63320018 | E18 | A | 22 | 25 | 38 | 12 | |
| DO63320020 | E20 | A | 25 | 30 | 38 | 13,5 | |
| DO63320022 | E22 | A | 26,5 | 30 | 45 | 18 | |
| DO63320024 | E24 | A | 28,5 | 30 | 45 | 18 | |

| SIZE | | | | | | | 4 |
|--------------------------|-----|------|-------|-------|------|-------|---|
| Torx® thin wall external | | | | | | | |
| Type | A/F | DRWG | D1 mm | D2 mm | L mm | L2 mm | |
| DO63325010 | E10 | A | 13 | 25 | 38 | 7,5 | |
| DO63325011 | E11 | A | 14 | 25 | 38 | 8 | |
| DO63325012 | E12 | A | 15 | 25 | 38 | 8,5 | |
| DO63325014 | E14 | A | 17 | 25 | 38 | 10 | |
| DO63325016 | E16 | A | 18,5 | 25 | 38 | 11 | |
| DO63325018 | E18 | A | 20,5 | 25 | 38 | 12 | |
| DO63325020 | E20 | A | 22,5 | 30 | 38 | 13,5 | |
| DO63325022 | E22 | A | 24,5 | 30 | 45 | 18 | |
| DO63325024 | E24 | A | 26,5 | 30 | 45 | 18 | |

| SIZE | | | | | | | 5 |
|-------------------------|-----|------|-------|-------|------|-------|---|
| Torx® external magnetic | | | | | | | |
| Type | A/F | DRWG | D1 mm | D2 mm | L mm | L2 mm | |
| DO6332N010 | E10 | D | 14,5 | 25 | 38 | 5 | |
| DO6332N011 | E11 | D | 15 | 25 | 38 | 5 | |
| DO6332N012 | E12 | D | 16 | 25 | 38 | 6 | |
| DO6332N014 | E14 | D | 18 | 25 | 38 | 8 | |
| DO6332N016 | E16 | D | 20 | 25 | 38 | 9 | |
| DO6332N018 | E18 | D | 22 | 25 | 38 | 9 | |
| DO6332N020 | E20 | D | 25 | 30 | 38 | 10 | |
| DO6332N022 | E22 | D | 27 | 30 | 45 | 10 | |
| DO6332N024 | E24 | D | 29 | 30 | 45 | 11 | |

Thin wall sockets are not covered by the Action warranty.
Torx® is a trademark of Textron.



1



2



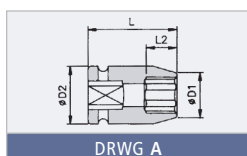
3



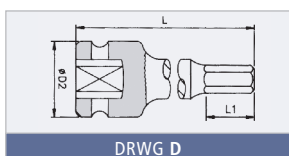
4



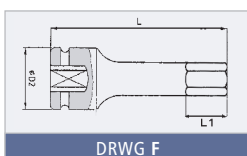
5



DRWG A



DRWG D



DRWG F

Impact sockets

1/2" Drive



1



2



3



4

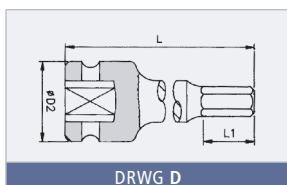
TiD-extra
Industrial Technologies d.o.o.

| SIZE | | | | | | | 1 |
|--------------------------------|--------|------|-------|-------|------|-------|---|
| 6-Point Universal Joint normal | | | | | | | |
| Type | A/F mm | DRWG | D1 mm | D2 mm | L mm | L2 mm | |
| Metrical | | | | | | | |
| DO2012-2-010 | 10 | E | 15 | 28 | 65 | 14 | |
| DO2012-2-011 | 11 | E | 17 | 28 | 65 | 14 | |
| DO2012-2-012 | 12 | E | 19 | 28 | 65 | 14 | |
| DO2012-2-013 | 13 | E | 20 | 28 | 65 | 14 | |
| DO2012-2-014 | 14 | E | 22 | 28 | 65 | 14 | |
| DO2012-2-015 | 15 | E | 23 | 28 | 65 | 14 | |
| DO2012-2-016 | 16 | E | 23 | 28 | 65 | 14 | |
| DO2012-2-017 | 17 | E | 26 | 32 | 65 | 14 | |
| DO2012-2-018 | 18 | E | 26 | 32 | 65 | 14 | |
| DO2012-2-019 | 19 | E | 28 | 32 | 65 | 14 | |
| DO2012-2-020 | 20 | E | 30 | 32 | 65 | 14 | |
| DO2012-2-021 | 21 | E | 30 | 32 | 65 | 14 | |
| DO2012-2-022 | 22 | E | 32 | 32 | 65 | 14 | |
| DO2012-2-023 | 23 | E | 32 | 32 | 65 | 14 | |
| DO2012-2-024 | 24 | E | 34 | 32 | 65 | 14 | |

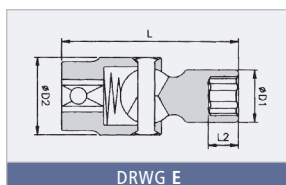
| SIZE | | | | | | | 2 |
|------------------------------|--------|------|-------|-------|------|-------|---|
| 6-Point Universal Joint deep | | | | | | | |
| Type | A/F mm | DRWG | D1 mm | D2 mm | L mm | L2 mm | |
| Metrical | | | | | | | |
| DO2012-4-010 | 10 | E | 15 | 28 | 90 | 14 | |
| DO2012-4-011 | 11 | E | 17 | 28 | 90 | 20 | |
| DO2012-4-012 | 12 | E | 19 | 28 | 90 | 20 | |
| DO2012-4-013 | 13 | E | 20 | 28 | 90 | 20 | |
| DO2012-4-014 | 14 | E | 22 | 28 | 90 | 20 | |
| DO2012-4-015 | 15 | E | 23 | 28 | 90 | 20 | |
| DO2012-4-016 | 16 | E | 23 | 28 | 90 | 20 | |
| DO2012-4-017 | 17 | E | 26 | 32 | 90 | 20 | |
| DO2012-4-018 | 18 | E | 26 | 32 | 90 | 20 | |
| DO2012-4-019 | 19 | E | 28 | 32 | 90 | 25 | |
| DO2012-4-020 | 20 | E | 30 | 32 | 90 | 25 | |
| DO2012-4-021 | 21 | E | 30 | 32 | 90 | 25 | |
| DO2012-4-022 | 22 | E | 32 | 32 | 90 | 25 | |
| DO2012-4-023 | 23 | E | 32 | 32 | 90 | 25 | |
| DO2012-4-024 | 24 | E | 34 | 32 | 90 | 25 | |

| SIZE | | | | | | | 3 |
|------------------------------------|-----|------|-------|------|-------|---|---|
| Universal Joint for Torx® internal | | | | | | | |
| Type | A/F | DRWG | D2 mm | L mm | L1 mm | - | |
| DO64921025 | T25 | G | 28 | 70 | 3 | - | |
| DO64921027 | T27 | G | 28 | 70 | 3 | - | |
| DO64921030 | T30 | G | 28 | 70 | 3,8 | - | |
| DO64921040 | T40 | G | 28 | 70 | 3,8 | - | |
| DO64921045 | T45 | G | 28 | 70 | 4,3 | - | |
| DO64921047 | T47 | G | 28 | 70 | 5 | - | |
| DO64921050 | T50 | G | 28 | 70 | 5 | - | |
| DO64921055 | T55 | G | 28 | 70 | 5,5 | - | |
| DO64921060 | T60 | G | 28 | 70 | 8 | - | |

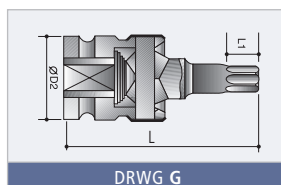
| SIZE | | | | | | | 4 |
|------------------------------------|-----|------|-------|-------|------|-------|---|
| Universal Joint for Torx® external | | | | | | | |
| Type | A/F | DRWG | D1 mm | D2 mm | L mm | L2 mm | |
| DO68720010 | E10 | E | 13 | 28 | 65 | 7,5 | |
| DO68720011 | E11 | E | 14 | 28 | 65 | 8,0 | |
| DO68720012 | E12 | E | 15 | 28 | 65 | 8,5 | |
| DO68720014 | E14 | E | 17 | 28 | 65 | 10 | |
| DO68720016 | E16 | E | 18,5 | 28 | 65 | 11 | |
| DO68720018 | E18 | E | 20,5 | 28 | 65 | 12 | |
| DO68720020 | E20 | E | 22,5 | 32 | 70 | 13,5 | |
| DO68720022 | E22 | E | 24,5 | 32 | 70 | 15 | |
| DO68720024 | E24 | E | 26,5 | 32 | 70 | 17 | |



DRWG D



DRWG E



DRWG G

Impact sockets

1/2" Drive



Hex Head Impact Socket

| SIZE | | | | | | | 1 |
|--------------------|--------|------|-------|------|-------|---|---|
| Hex Driver (Inbus) | | | | | | | |
| Type | A/F mm | DRWG | D2 mm | L mm | L2 mm | - | |
| Metrical | | | | | | | |
| DO696304A | 4 | D | 25 | 75 | 20 | - | |
| DO696305A | 5 | D | 25 | 75 | 20 | - | |
| DO696306A | 6 | D | 25 | 75 | 20 | - | |
| DO696307A | 7 | D | 25 | 75 | 20 | - | |
| DO696308A | 8 | D | 25 | 75 | 25 | - | |
| DO696309A | 9 | D | 25 | 75 | 25 | - | |
| DO696310A | 10 | D | 25 | 75 | 25 | - | |
| DO696311A | 11 | D | 25 | 75 | 25 | - | |
| DO696312A | 12 | D | 25 | 75 | 25 | - | |
| DO696313A | 13 | D | 25 | 75 | 25 | - | |
| DO696314A | 14 | D | 25 | 75 | 25 | - | |
| DO696315A | 15 | D | 25 | 75 | 25 | - | |
| DO696316A | 16 | D | 25 | 75 | 25 | - | |
| DO696317A | 17 | D | 25 | 75 | 25 | - | |
| DO696319A | 19 | D | 25 | 75 | 25 | - | |
| DO696321A | 21 | D | 30 | 75 | 25 | - | |
| DO696322A | 22 | D | 30 | 75 | 25 | - | |

| SIZE | | | | | | | 2 |
|-------------------|-----|------|-------|------|-------|---|---|
| Triple Square bit | | | | | | | |
| Type | A/F | DRWG | D2 mm | L mm | L1 mm | - | |
| Metrical | | | | | | | |
| DO65226005 | M5 | D | 25 | 55 | 7 | - | |
| DO65226006 | M6 | D | 25 | 55 | 7 | - | |
| DO65226008 | M8 | D | 25 | 55 | 9 | - | |
| DO65226010 | M10 | D | 25 | 55 | 9 | - | |
| DO65226012 | M12 | D | 25 | 55 | 11 | - | |
| DO65226014 | M14 | D | 25 | 55 | 11 | - | |
| DO65226016 | M16 | D | 25 | 55 | 13 | - | |

| SIZE | | | | | | | 3 |
|------------------------|-----|------|-------|------|-------|---|---|
| Triple Square bit long | | | | | | | |
| Type | A/F | DRWG | D2 mm | L mm | L1 mm | - | |
| Metrical | | | | | | | |
| DO65227005 | M5 | D | 25 | 100 | 7 | - | |
| DO65227006 | M6 | D | 25 | 100 | 7 | - | |
| DO65227008 | M8 | D | 25 | 100 | 9 | - | |
| DO65227010 | M10 | D | 25 | 100 | 9 | - | |
| DO65227012 | M12 | D | 25 | 100 | 11 | - | |
| DO65227014 | M14 | D | 25 | 100 | 11 | - | |
| DO65227016 | M16 | D | 25 | 100 | 13 | - | |

| SIZE | | | | | | | 3 |
|------------------------------|-----|------|-------|------|-------|---|---|
| Triple Square bit extra long | | | | | | | |
| Type | A/F | DRWG | D2 mm | L mm | L1 mm | - | |
| Metrical | | | | | | | |
| DO65228008 | M8 | D | 25 | 120 | 9 | - | |
| DO65228010 | M10 | D | 25 | 120 | 9 | - | |
| DO65228012 | M12 | D | 25 | 120 | 11 | - | |
| DO65228018 | M18 | D | 25 | 120 | 14 | - | |

| SIZE | | | | | | | 3 |
|---------------------------------|--------|------|-------|------|-------|---|---|
| Hex Driver with Universal Joint | | | | | | | |
| Type | A/F mm | DRWG | D2 mm | L mm | L1 mm | - | |
| Metrical | | | | | | | |
| DO65121006 | 6 | E | 28 | 75 | 13 | - | |
| DO65121007 | 7 | E | 28 | 75 | 13 | - | |
| DO65121008 | 8 | E | 28 | 75 | 20 | - | |
| DO65121009 | 9 | E | 28 | 75 | 20 | - | |
| DO65121010 | 10 | E | 28 | 75 | 20 | - | |
| DO65121011 | 11 | E | 28 | 75 | 20 | - | |
| DO65121012 | 12 | E | 28 | 75 | 20 | - | |
| DO65121013 | 13 | E | 28 | 75 | 20 | - | |
| DO65121014 | 14 | E | 28 | 75 | 20 | - | |
| DO65121015 | 15 | E | 28 | 75 | 20 | - | |
| DO65121016 | 16 | E | 28 | 75 | 20 | - | |
| DO65121017 | 17 | E | 28 | 75 | 20 | - | |
| DO65121018 | 18 | E | 28 | 75 | 20 | - | |
| DO65121019 | 19 | E | 28 | 75 | 20 | - | |

| SIZE | | | | | | | 4 |
|-----------------|-----|------|-------|------|-------|---|---|
| RIBE Driver | | | | | | | |
| Type | A/F | DRWG | D2 mm | L mm | L1 mm | - | |
| Metrical | | | | | | | |
| DO65326006 | M6 | F | 25 | 55 | 5 | - | |
| DO65326007 | M7 | F | 25 | 55 | 6,5 | - | |
| DO65326008 | M8 | F | 25 | 55 | 7,5 | - | |
| DO65326010 | M10 | F | 25 | 55 | 9 | - | |
| DO65326012 | M12 | F | 25 | 55 | 10 | - | |
| DO65326014 | M14 | F | 25 | 55 | 12 | - | |
| DO65326016 | M16 | F | 25 | 55 | 14 | - | |
| DO65326018 | M18 | F | 25 | 55 | 16 | - | |



1



2



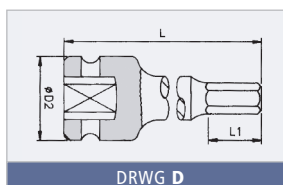
3



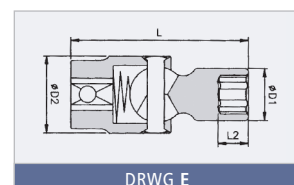
4



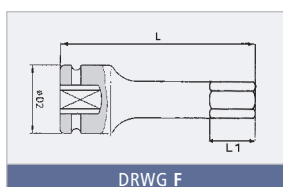
5



DRWG D



DRWG E



DRWG F

Impact sockets

1/2" Drive



1

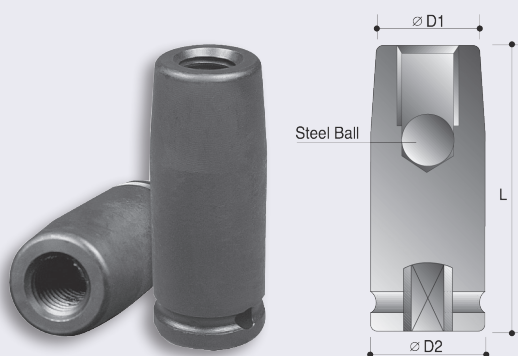


2

| SIZE | | | | | | | 1 |
|---------------------|------|------|---------|---------|--------|------|---|
| Tap Holding sockets | | | | | | | |
| Type | A mm | DRWG | Ø D1 mm | Ø D2 mm | Ø d mm | L mm | |

| Metrical | | | | | | |
|------------|------|---|----|----|------|----|
| DO6322B001 | 3,4 | D | 22 | 22 | 4,5 | 40 |
| DO6322B002 | 4,9 | D | 22 | 22 | 6,0 | 45 |
| DO6322B003 | 5,5 | D | 22 | 22 | 7,0 | 45 |
| DO6322B004 | 6,2 | D | 22 | 22 | 8,0 | 45 |
| DO6322B005 | 7,0 | D | 22 | 22 | 9,0 | 45 |
| DO6322B006 | 8,0 | D | 22 | 22 | 10,0 | 45 |
| DO6322B007 | 9,0 | D | 22 | 22 | 11,0 | 45 |
| DO6322B008 | 9,0 | D | 22 | 22 | 12,0 | 50 |
| DO6322B009 | 11,0 | D | 22 | 22 | 14,0 | 52 |

| Stud Bolt Setters | | | | |
|-------------------|--------------|-------|-------|------|
| Type | Size | D1 mm | D2 mm | L mm |
| DO69782010 | M6 x P1,0 | 25 | 13 | 55 |
| DO69782018 | M8 x P1,25 | 25 | 15 | 55 |
| DO69782021 | M10 x P 1,25 | 25 | 18 | 55 |
| DO69782022 | M10 x P1,5 | 25 | 17 | 55 |
| DO69782027 | M12 x P1,75 | 25 | 19 | 55 |
| DO69782030 | M14 x P1,5 | 25 | 23 | 55 |
| DO69782031 | M14 x P2,0 | 25 | 22 | 55 |
| DO69782034 | M16 x P1,5 | 30 | 28 | 75 |
| DO69782035 | M16 x P2,0 | 30 | 27 | 75 |
| DO69782040 | M20 x P1,5 | 30 | 30 | 75 |
| DO69782041 | M20 x P2,5 | 30 | 30 | 75 |

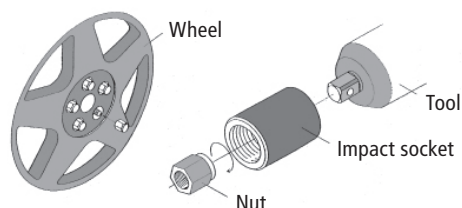


Wheel lug nut remover sockets

2

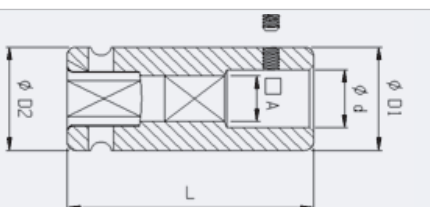
| Type | A/F mm | DRWG | D2 mm | D1 mm | L mm | L1 mm |
|------------|--------|------|-------|-------|------|-------|
| Metrical | | | | | | |
| DO69782090 | 17 | H | 24 | 24 | 38 | 17 |
| DO69782091 | 18,5 | H | 25 | 25 | 38 | 17 |
| DO69782092 | 20 | H | 26 | 26 | 38 | 22 |
| DO69782093 | 21,5 | H | 28,5 | 28,5 | 38 | 22 |
| DO69782094 | 23 | H | 30 | 30 | 38 | 22 |
| DO69782095 | 24,5 | H | 31 | 31 | 38 | 22 |
| DO69782096 | 26 | H | 32 | 32 | 38 | 22 |
| DO69782206 | 17 | H | 25 | 21,6 | 55 | 21 |
| DO69782209 | 18,5 | H | 25 | 23,7 | 55 | 21 |
| DO69782212 | 20 | H | 25 | 25,5 | 55 | 21 |
| DO69782215 | 21,5 | H | 30 | 27 | 55 | 21 |
| DO69782218 | 23 | H | 30 | 28 | 55 | 21 |
| DO69782221 | 24,5 | H | 30 | 30 | 55 | 21 |
| DO69782224 | 26 | H | 30 | 30 | 55 | 17 |
| DO69782227 | 27,5 | H | 30 | 33 | 55 | 17 |
| DO69782507 | 17 | H | 25 | 23 | 55 | 22 |
| DO69782510 | 18,5 | H | 25 | 25 | 55 | 22 |
| DO69782513 | 20 | H | 25 | 26 | 55 | 22 |
| DO69782516 | 21,5 | H | 30 | 28 | 55 | 22 |
| DO69782520 | 23 | H | 30 | 30 | 55 | 22 |
| DO69782523 | 23 | H | 30 | 30,5 | 55 | 22 |
| DO69782526 | 26 | H | 30 | 32 | 55 | 21 |

Application wheel lug nut removers sockets

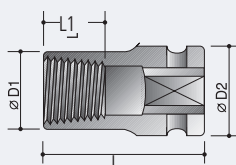


Pin and Ring

DO1012-0-000



DRWG D



DRWG H

Impact sockets

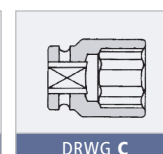
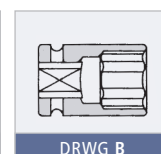
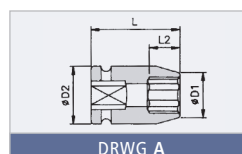
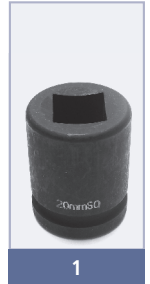
3/4" Drive

| SIZE | | | | | | |
|-----------------|--------|------|-------|-------|------|-------|
| 4-Point | | | | | | 1 |
| Type | A/F mm | DRWG | D1 mm | D2 mm | L mm | L2 mm |
| Metrical | | | | | | |
| DO63045016 | 16 | B | 40 | 40 | 52 | 22 |
| DO63045017 | 17 | B | 40 | 40 | 52 | 22 |
| DO63045019 | 19 | B | 40 | 40 | 52 | 22 |
| DO63045020 | 20 | B | 42 | 42 | 52 | 22 |
| DO63045021 | 21 | B | 42 | 42 | 52 | 22 |
| DO63045024 | 24 | C | 47 | 44 | 52 | 24 |

| SIZE | | | | | | |
|-----------------|--------|------|-------|-------|------|-------|
| 6-Point normal | | | | | | 2 |
| Type | A/F mm | DRWG | D1 mm | D2 mm | L mm | L2 mm |
| Metrical | | | | | | |
| DO3034-0-013 | 13 | A | 25 | 44 | 50 | 9 |
| DO3034-0-014 | 14 | A | 25 | 44 | 50 | 11 |
| DO3034-0-015 | 15 | A | 26 | 44 | 50 | 11 |
| DO3034-0-016 | 16 | A | 27 | 44 | 50 | 11 |
| DO3034-0-017 | 17 | A | 31 | 44 | 50 | 12 |
| DO3034-0-018 | 18 | A | 32 | 44 | 50 | 13 |
| DO3034-0-019 | 19 | A | 33 | 44 | 50 | 13 |
| DO3034-0-020 | 20 | A | 34 | 44 | 50 | 14 |
| DO3034-0-021 | 21 | A | 35 | 44 | 50 | 15 |
| DO3034-0-022 | 22 | A | 37 | 44 | 50 | 15 |
| DO3034-0-023 | 23 | A | 38 | 44 | 50 | 16 |
| DO3034-0-024 | 24 | A | 40 | 44 | 50 | 16 |
| DO3034-0-025 | 25 | A | 40 | 44 | 50 | 16 |
| DO3034-0-026 | 26 | A | 41 | 44 | 50 | 16 |
| DO3034-0-027 | 27 | A | 43 | 44 | 54 | 19 |
| DO3034-0-028 | 28 | B | 44 | 44 | 54 | 19 |
| DO3034-0-029 | 29 | C | 45 | 44 | 54 | 21 |
| DO3034-0-030 | 30 | C | 47 | 44 | 54 | 21 |
| DO3034-0-031 | 31 | C | 48 | 44 | 56 | 21 |
| DO3034-0-032 | 32 | C | 49 | 44 | 56 | 22 |
| DO3034-0-033 | 33 | C | 51 | 44 | 56 | 22 |
| DO3034-0-034 | 34 | C | 52 | 44 | 56 | 22 |
| DO3034-0-035 | 35 | C | 53 | 44 | 56 | 22 |
| DO3034-0-036 | 36 | C | 54 | 44 | 56 | 25 |
| DO3034-0-037 | 37 | C | 56 | 44 | 58 | 25 |
| DO3034-0-038 | 38 | C | 57 | 44 | 58 | 25 |
| DO3034-0-041 | 41 | C | 60 | 44 | 58 | 27 |
| DO3034-0-042 | 42 | C | 62 | 44 | 58 | 27 |
| DO3034-0-043 | 43 | C | 63 | 44 | 63 | 27 |
| DO3034-0-046 | 46 | C | 67 | 44 | 63 | 30 |
| DO3034-0-047 | 47 | C | 68 | 44 | 68 | 30 |
| DO3034-0-048 | 48 | C | 69 | 44 | 68 | 30 |
| DO3034-0-050 | 50 | C | 71 | 54 | 72 | 32 |
| DO3034-0-055 | 55 | C | 77 | 54 | 74 | 35 |
| DO3034-0-060 | 60 | C | 84 | 54 | 75 | 37 |
| DO3034-0-063 | 63 | C | 86 | 54 | 75 | 37 |
| DO3034-0-065 | 65 | C | 88 | 54 | 78 | 40 |
| DO3034-0-067 | 67 | C | 90 | 54 | 80 | 40 |

| SIZE | | | | | | |
|------------------|----------|------|-------|-------|------|-------|
| 6-Point normal | | | | | | 3 |
| Type | A/F | DRWG | D1 mm | D2 mm | L mm | L2 mm |
| SAE | | | | | | |
| DO3034-0-11/16 | 11/16" | A | 29 | 38 | 50 | 12 |
| DO3034-0-3/4 | 3/4" | A | 30 | 38 | 50 | 14 |
| DO3034-0-13/16 | 13/16" | A | 32 | 38 | 52 | 16 |
| DO3034-0-7/8 | 7/8" | A | 34 | 38 | 52 | 16 |
| DO3034-0-15/16 | 15/16" | A | 36 | 38 | 52 | 16 |
| DO3034-0-1 1/8 | 1 1/8" | B | 42 | 42 | 52 | 20 |
| DO3034-0-1 3/16 | 1 3/16" | B | 44 | 44 | 52 | 20 |
| DO3034-0-1 1/4 | 1 1/4" | B | 44 | 44 | 52 | 20 |
| DO3034-0-1 | 1" | C | 40 | 38 | 52 | 16 |
| DO3034-0-1 1/16 | 1 1/16" | C | 40 | 38 | 52 | 16 |
| DO3034-0-1 5/16 | 1 5/16" | C | 47 | 44 | 56 | 23 |
| DO3034-0-1 3/8 | 1 3/8" | C | 50 | 44 | 56 | 23 |
| DO3034-0-1 7/16 | 1 7/16" | C | 51 | 44 | 56 | 23 |
| DO3034-0-1 1/2 | 1 1/2" | C | 53 | 44 | 56 | 23 |
| DO3034-0-1 3/4 | 1 3/4" | C | 65 | 44 | 62 | 27 |
| DO3034-0-1 13/16 | 1 13/16" | C | 67 | 44 | 56 | 32 |

| SIZE | | | | | | |
|-----------------|--------|------|-------|-------|------|-------|
| 6-Point deep | | | | | | 4 |
| Type | A/F mm | DRWG | D1 mm | D2 mm | L mm | L2 mm |
| Metrical | | | | | | |
| DO3034-1-013 | 13 | A | 25 | 44 | 95 | 13 |
| DO3034-1-014 | 14 | A | 25 | 44 | 95 | 14 |
| DO3034-1-015 | 15 | A | 26 | 44 | 95 | 15 |
| DO3034-1-017 | 17 | A | 31 | 44 | 95 | 17 |
| DO3034-1-018 | 18 | A | 32 | 44 | 95 | 18 |
| DO3034-1-019 | 19 | A | 33 | 44 | 95 | 19 |
| DO3034-1-020 | 20 | A | 34 | 44 | 95 | 20 |
| DO3034-1-021 | 21 | A | 35 | 44 | 95 | 21 |
| DO3034-1-022 | 22 | A | 37 | 44 | 95 | 22 |
| DO3034-1-023 | 23 | A | 38 | 44 | 95 | 23 |
| DO3034-1-024 | 24 | A | 39,5 | 44 | 95 | 24 |
| DO3034-1-025 | 25 | A | 40 | 44 | 95 | 25 |
| DO3034-1-026 | 26 | A | 41 | 44 | 95 | 26 |
| DO3034-1-027 | 27 | A | 43 | 44 | 95 | 27 |
| DO3034-1-028 | 28 | B | 44 | 44 | 95 | 28 |
| DO3034-1-029 | 29 | C | 45 | 44 | 95 | 29 |
| DO3034-1-030 | 30 | C | 47 | 44 | 95 | 30 |
| DO3034-1-031 | 31 | C | 48 | 44 | 95 | 31 |
| DO3034-1-032 | 32 | C | 49 | 44 | 95 | 32 |



Impact sockets

3/4" Drive



Impact Socket, normal



1



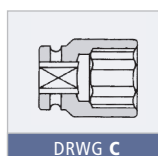
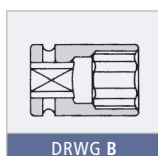
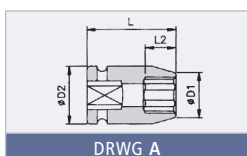
2

| SIZE | | | | | | |
|--------------------------|-----------|------|----------|----------|---------|----------|
| 6-Point deep (continued) | | | | | | 1 |
| Type | A/F mm | DRWG | D1 mm | D2 mm | L mm | L2 mm |
| Metrical | | | | | | |
| D03034-1-033 | 33 | C | 51 | 44 | 95 | 33 |
| D03034-1-034 | 34 | C | 52 | 44 | 95 | 34 |
| D03034-1-035 | 35 | C | 53 | 44 | 95 | 35 |
| D03034-1-036 | 36 | C | 54 | 44 | 95 | 36 |
| D03034-1-037 | 37 | C | 56 | 44 | 95 | 37 |
| D03034-1-038 | 38 | C | 57 | 44 | 95 | 38 |
| D03034-1-039 | 39 | C | 58 | 44 | 95 | 38 |
| D03034-1-040 | 40 | C | 58 | 44 | 95 | 38 |
| D03034-1-041 | 41 | C | 60 | 44 | 95 | 38 |
| D03034-1-042 | 42 | C | 62 | 44 | 95 | 38 |
| D03034-1-043 | 43 | C | 63 | 44 | 95 | 38 |
| D03034-1-044 | 44 | C | 65 | 44 | 95 | 38 |
| D03034-1-046 | 46 | C | 67 | 44 | 95 | 38 |
| D03034-1-047 | 47 | C | 68 | 44 | 95 | 38 |
| D03034-1-048 | 48 | C | 69 | 44 | 95 | 38 |
| D03034-1-049 | 49 | C | 70 | 44 | 95 | 38 |
| D03034-1-050 | 50 | C | 71 | 54 | 95 | 38 |
| D03034-1-052 | 52 | C | 74 | 54 | 95 | 40 |
| D03034-1-055 | 55 | C | 77 | 54 | 100 | 40 |
| D03034-1-060 | 60 | C | 84 | 54 | 105 | 42 |
| D03034-1-065 | 65 | C | 88 | 54 | 105 | 66 |

| SIZE | | | | | | |
|--------------------|-----------|------|----------|----------|---------|----------|
| 6-Point extra long | | | | | | 2 |
| Type | A/F mm | DRWG | D1 mm | D2 mm | L mm | L2 mm |
| Metrical | | | | | | |
| DO61145024 | 24 | G | 38,5 | 44 | 270 | 24 |
| DO61145027 | 27 | G | 42 | 44 | 270 | 27 |
| DO61145030 | 30 | G | 45 | 44 | 270 | 30 |
| DO61145032 | 32 | G | 47 | 44 | 270 | 32 |
| DO61145033 | 33 | G | 48 | 44 | 270 | 32 |
| DO61145036 | 36 | G | 53,5 | 44 | 270 | 32 |
| | | | | | | |
| DO61146024 | 24 | G | 38,5 | 44 | 400 | 24 |
| DO61146027 | 27 | G | 42 | 44 | 400 | 27 |
| DO61146030 | 30 | G | 45 | 44 | 400 | 30 |
| DO61146032 | 32 | G | 47 | 44 | 400 | 32 |
| DO61146033 | 33 | G | 48 | 44 | 400 | 32 |
| DO61146036 | 36 | G | 53,5 | 44 | 400 | 32 |

| SIZE | | | | | | |
|-----------------|---------|------|----------|----------|---------|----------|
| 6-Point deep | | | | | | 1 |
| Type | A/F | DRWG | D1 mm | D2 mm | L mm | L2 mm |
| SAE | | | | | | |
| D03034-1-13/16 | 13/16" | A | 32 | 38 | 85 | 23 |
| D03034-1-7/8 | 7/8" | A | 34 | 38 | 85 | 23 |
| D03034-1-15/16 | 15/16" | A | 36 | 38 | 85 | 41 |
| D03034-1-1 | 1" | C | 40 | 38 | 85 | 41 |
| D03034-1-1 1/8 | 1 1/8" | B | 42 | 42 | 85 | 52 |
| D03034-1-1 3/16 | 1 3/16" | B | 44 | 44 | 85 | 52 |
| D03034-1-1 1/4 | 1 1/4" | B | 44 | 44 | 85 | 52 |
| D03034-1-1 5/16 | 1 5/16" | C | 47 | 44 | 85 | 52 |
| D03034-1-1 7/16 | 1 7/16" | C | 51 | 44 | 85 | 52 |
| D03034-1-1 1/2 | 1 1/2" | C | 53 | 44 | 85 | 60 |

Pin and Ring
D01034-0-000



Impact sockets



Hex Head socket

3/4" Drive

| SIZE | | | | | | |
|------------------------|--|--|--|--|--|---|
| 6-Point thin wall deep | | | | | | 1 |

| Type | A/F mm | DRWG | D1 mm | D2 mm | L mm | L2 mm |
|------|--------|------|-------|-------|------|-------|
|------|--------|------|-------|-------|------|-------|

Metrical

| | | | | | | |
|------------|----|---|------|----|----|----|
| DO61141017 | 17 | A | 25,5 | 44 | 95 | 17 |
| DO61141019 | 19 | A | 28,5 | 44 | 95 | 19 |
| DO61141022 | 22 | A | 33,5 | 44 | 95 | 22 |
| DO61141024 | 24 | A | 36,5 | 44 | 95 | 24 |
| DO61141027 | 27 | A | 40,5 | 44 | 95 | 27 |
| DO61141030 | 30 | A | 43,5 | 44 | 95 | 30 |
| DO61141032 | 32 | B | 46,5 | 44 | 95 | 32 |
| DO61141033 | 33 | B | 47,5 | 44 | 95 | 33 |
| DO61141035 | 35 | B | 51 | 44 | 95 | 35 |
| DO61141036 | 36 | B | 52 | 44 | 95 | 36 |
| DO61141038 | 38 | B | 54 | 44 | 95 | 38 |
| DO61141041 | 41 | B | 57 | 44 | 95 | 38 |

| SIZE | | | | | | |
|---------|--|--|--|--|--|---|
| 8-Point | | | | | | 3 |

| Type | A/F mm | DRWG | D1 mm | D2 mm | L mm | L2 mm |
|------|--------|------|-------|-------|------|-------|
|------|--------|------|-------|-------|------|-------|

Metrical

| | | | | | | |
|------------|----|---|----|------|----|----|
| DO63645019 | 19 | B | 41 | 41 | 52 | 15 |
| DO63645024 | 24 | C | 46 | 44,5 | 52 | 20 |
| DO63645027 | 27 | C | 53 | 44,5 | 56 | 24 |
| DO63645030 | 30 | C | 60 | 44,5 | 60 | 28 |
| DO63645032 | 32 | C | 60 | 44,5 | 60 | 28 |
| DO63645038 | 38 | C | 70 | 44,5 | 64 | 32 |

| SIZE | | | | | | |
|---------------|--|--|--|--|--|---|
| 12-Point deep | | | | | | 4 |

| Type | A/F mm | DRWG | D1 mm | D2 mm | L mm | L2 mm |
|------|--------|------|-------|-------|------|-------|
|------|--------|------|-------|-------|------|-------|

Metrical

| | | | | | | |
|------------|----|---|------|----|----|----|
| DO65847013 | 13 | A | 24,5 | 44 | 95 | 13 |
| DO65847014 | 14 | A | 25,5 | 44 | 95 | 14 |
| DO65847015 | 15 | A | 27 | 44 | 95 | 15 |
| DO65847016 | 16 | A | 28 | 44 | 95 | 16 |
| DO65847017 | 17 | A | 29,5 | 44 | 95 | 17 |
| DO65847018 | 18 | A | 31 | 44 | 95 | 18 |
| DO65847019 | 19 | A | 32 | 44 | 95 | 19 |
| DO65847020 | 20 | A | 34 | 44 | 95 | 20 |
| DO65847021 | 21 | A | 35 | 44 | 95 | 21 |
| DO65847022 | 22 | A | 37 | 44 | 95 | 22 |
| DO65847023 | 23 | A | 38 | 44 | 95 | 23 |
| DO65847024 | 24 | A | 39 | 44 | 95 | 24 |
| DO65847025 | 25 | A | 41 | 44 | 95 | 25 |
| DO65847026 | 26 | A | 42 | 44 | 95 | 26 |
| DO65847027 | 27 | A | 43 | 44 | 95 | 27 |
| DO65847028 | 28 | B | 44 | 44 | 95 | 28 |
| DO65847029 | 29 | C | 46 | 44 | 95 | 29 |
| DO65847030 | 30 | C | 47 | 44 | 95 | 30 |
| DO65847031 | 31 | C | 48 | 44 | 95 | 31 |
| DO65847032 | 32 | C | 49 | 44 | 95 | 32 |
| DO65847033 | 33 | C | 51 | 44 | 95 | 33 |
| DO65847034 | 34 | C | 52 | 44 | 95 | 34 |
| DO65847035 | 35 | C | 53 | 44 | 95 | 35 |
| DO65847036 | 36 | C | 54 | 44 | 95 | 36 |
| DO65847037 | 37 | C | 56 | 44 | 95 | 37 |
| DO65847038 | 38 | C | 57 | 44 | 95 | 38 |
| DO65847039 | 39 | C | 58 | 44 | 95 | 38 |
| DO65847040 | 40 | C | 59,5 | 44 | 95 | 38 |
| DO65847041 | 41 | C | 61 | 44 | 95 | 38 |
| DO65847042 | 42 | C | 62 | 44 | 95 | 38 |
| DO65847043 | 43 | C | 63,5 | 44 | 95 | 38 |
| DO65847044 | 44 | C | 64,5 | 44 | 95 | 38 |
| DO65847045 | 45 | C | 65,5 | 44 | 95 | 38 |

| SIZE | | | | | | |
|--------------------------------|--|--|--|--|--|---|
| 6-Point extreme thin wall deep | | | | | | 1 |

| Type | A/F mm | DRWG | D1 mm | D2 mm | L mm | L2 mm |
|------|--------|------|-------|-------|------|-------|
|------|--------|------|-------|-------|------|-------|

Metrical

| | | | | | | |
|------------|----|---|------|----|-----|----|
| DO61142027 | 27 | A | 40 | 43 | 108 | 43 |
| DO61142032 | 32 | B | 45 | 45 | 108 | 43 |
| DO61142041 | 41 | C | 54,5 | 45 | 108 | 43 |

| SIZE | | | | | | |
|----------------------------|--|--|--|--|--|---|
| Hex Driver 6-Point (Inbus) | | | | | | 2 |

| Type | A/F mm | DRWG | D2 mm | L mm | L1 mm | - |
|------|--------|------|-------|------|-------|---|
|------|--------|------|-------|------|-------|---|

Metrical

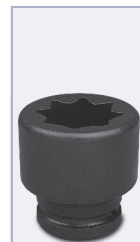
| | | | | | | |
|-----------|----|---|----|-----|----|---|
| DO696510A | 10 | D | 44 | 100 | 20 | - |
| DO696512A | 12 | D | 44 | 100 | 20 | - |
| DO696514A | 14 | D | 44 | 100 | 20 | - |
| DO696517A | 17 | D | 44 | 100 | 20 | - |
| DO696519A | 19 | D | 44 | 100 | 20 | - |
| DO696522A | 22 | D | 44 | 100 | 20 | - |
| DO696524A | 24 | D | 44 | 100 | 20 | - |
| DO696527A | 27 | D | 44 | 100 | 20 | - |
| DO696530A | 30 | D | 44 | 100 | 20 | - |
| DO696532A | 32 | D | 44 | 100 | 20 | - |
| DO696536A | 36 | D | 44 | 100 | 20 | - |



1



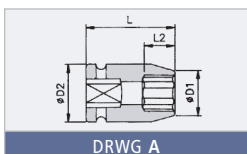
2



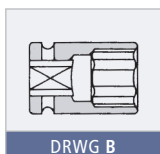
3



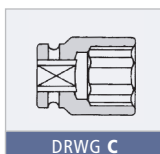
4



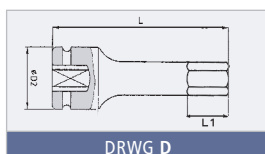
DRWG A



DRWG B



DRWG C



DRWG D

Impact sockets

3/4" Drive



Impact Socket, normal



1



2



3

TiD-extra
Industrial Technologies d.o.o.

| SIZE | | | | | | | 1 |
|---------------------------|--------|------|-------|-------|------|-------|---|
| 12-Point deep (continued) | | | | | | | |
| Type | A/F mm | DRWG | D1 mm | D2 mm | L mm | L2 mm | |
| Metrical | | | | | | | |
| DO65847046 | 46 | C | 66,5 | 44 | 100 | 38 | |
| DO65847047 | 47 | C | 68 | 44 | 100 | 38 | |
| DO65847048 | 48 | C | 69 | 44 | 100 | 38 | |
| DO65847049 | 49 | C | 70 | 44 | 100 | 38 | |
| DO65847050 | 50 | C | 71 | 54 | 100 | 38 | |
| DO65847051 | 51 | C | 72 | 54 | 100 | 40 | |
| DO65847052 | 52 | C | 74 | 54 | 100 | 40 | |
| DO65847053 | 53 | C | 75 | 54 | 100 | 40 | |
| DO65847054 | 54 | C | 77 | 54 | 100 | 40 | |
| DO65847055 | 55 | C | 78 | 54 | 105 | 40 | |
| DO65847056 | 56 | C | 79 | 54 | 105 | 40 | |
| DO65847057 | 57 | C | 80 | 54 | 105 | 40 | |
| DO65847058 | 58 | C | 81 | 54 | 105 | 40 | |
| DO65847060 | 60 | C | 84 | 54 | 105 | 42 | |
| DO65847063 | 63 | C | 87 | 54 | 105 | 42 | |
| DO65847065 | 65 | C | 90 | 54 | 105 | 66 | |
| DO65847067 | 67 | C | 92 | 54 | 105 | 66 | |
| DO65847068 | 68 | C | 94 | 54 | 105 | 66 | |
| DO65847070 | 70 | C | 96 | 54 | 105 | 66 | |
| DO65847073 | 73 | C | 100 | 54 | 108 | 66 | |
| DO65847075 | 75 | C | 102 | 64 | 108 | 68 | |

| SIZE | | | | | | | 2 |
|-----------------|--------|------|-------|-------|------|-------|---|
| 12-Point normal | | | | | | | |
| Type | A/F mm | DRWG | D1 mm | D2 mm | L mm | L2 mm | |
| Metrical | | | | | | | |
| DO63845013 | 13 | A | 23 | 38 | 50 | 12 | |
| DO63845014 | 14 | A | 24 | 38 | 50 | 12 | |
| DO63845015 | 15 | A | 26 | 38 | 50 | 12 | |
| DO63845016 | 16 | A | 27 | 38 | 50 | 12 | |
| DO63845017 | 17 | A | 28 | 38 | 50 | 12 | |
| DO63845018 | 18 | A | 29 | 38 | 50 | 12 | |
| DO63845019 | 19 | A | 30 | 38 | 50 | 14 | |
| DO63845020 | 20 | A | 31 | 38 | 52 | 16 | |
| DO63845021 | 21 | A | 32 | 38 | 52 | 16 | |
| DO63845022 | 22 | A | 34 | 38 | 52 | 16 | |
| DO63845023 | 23 | A | 35 | 38 | 52 | 16 | |
| DO63845024 | 24 | A | 36 | 38 | 52 | 18 | |
| DO63845025 | 25 | B | 38 | 38 | 52 | 18 | |
| DO63845026 | 26 | C | 40 | 38 | 52 | 23 | |
| DO63845027 | 27 | C | 40 | 38 | 52 | 23 | |
| DO63845028 | 28 | C | 42 | 38 | 52 | 23 | |
| DO63845029 | 29 | C | 43 | 38 | 52 | 23 | |
| DO63845030 | 30 | C | 43 | 38 | 52 | 23 | |
| DO63845031 | 31 | C | 44 | 38 | 56 | 24 | |
| DO63845032 | 32 | C | 45 | 38 | 56 | 24 | |
| DO63845033 | 33 | C | 46 | 38 | 56 | 24 | |
| DO63845034 | 34 | C | 48 | 38 | 56 | 24 | |

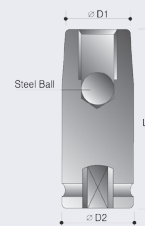
| SIZE | | | | | | | 2 |
|-----------------------------|--------|------|-------|-------|------|-------|---|
| 12-Point normal (continued) | | | | | | | |
| Type | A/F mm | DRWG | D1 mm | D2 mm | L mm | L2 mm | |
| Metrical | | | | | | | |
| DO63845035 | 35 | C | 50 | 38 | 56 | 24 | |
| DO63845036 | 36 | C | 51 | 38 | 56 | 24 | |
| DO63845037 | 37 | C | 52 | 38 | 56 | 24 | |
| DO63845038 | 38 | C | 53 | 38 | 56 | 24 | |
| DO63845039 | 39 | C | 55 | 38 | 62 | 28 | |
| DO63845041 | 41 | C | 58 | 38 | 62 | 28 | |
| DO63845042 | 42 | C | 61 | 38 | 62 | 28 | |
| DO63845043 | 43 | C | 63 | 38 | 62 | 28 | |
| DO63845046 | 46 | C | 67 | 38 | 68 | 33 | |
| DO63845050 | 50 | C | 71 | 38 | 70 | 34 | |
| DO63845055 | 55 | C | 77 | 54 | 74 | 35 | |
| DO63845056 | 56 | C | 77 | 54 | 74 | 35 | |
| DO63845060 | 60 | C | 84 | 54 | 75 | 35 | |
| DO63845063 | 63 | C | 86 | 54 | 78 | 37 | |
| DO63845065 | 65 | C | 88 | 54 | 78 | 38 | |
| DO63845067 | 67 | C | 90 | 54 | 80 | 40 | |
| DO63845070 | 70 | C | 96 | 54 | 80 | 40 | |

| SIZE | | | | | | | 3 |
|----------------|------|------|-------|------|-------|---|---|
| Torx® internal | | | | | | | |
| Type | A/F | DRWG | D2 mm | L mm | L1 mm | - | |
| DO64742050 | T50 | F | 44 | 100 | 5,0 | - | |
| DO64742055 | T55 | F | 44 | 100 | 5,5 | - | |
| DO64742060 | T60 | F | 44 | 100 | 8,0 | - | |
| DO64742070 | T70 | F | 44 | 100 | 9,4 | - | |
| DO64742080 | T80 | F | 44 | 100 | 10,5 | - | |
| DO64742090 | T90 | F | 44 | 100 | 11,8 | - | |
| DO64742100 | T100 | F | 44 | 100 | 13,1 | - | |

Torx® is a trademark of Textron.

Stud Bolt Setters

| Type | Size | D1 mm | D2 mm | L mm |
|------------|-----------|-------|-------|------|
| DO69784162 | M16 x 2 | 29 | 44 | 100 |
| DO69784203 | M20 x 2,5 | 35 | 44 | 100 |
| DO69784241 | M24 x 1,5 | 37 | 44 | 100 |
| DO69784244 | M24 x 3 | 37 | 44 | 100 |
| DO69784305 | M30 x 3,5 | 43 | 44 | 100 |



.... ▶

Impact sockets

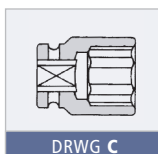
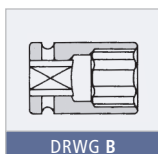
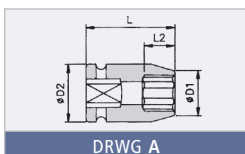
1" Drive

| SIZE | | | | | | |
|-----------------|--------|------|-------|-------|------|-------|
| 4-Point | | | | | | 1 |
| Type | A/F mm | DRWG | D1 mm | D2 mm | L mm | L2 mm |
| Metrical | | | | | | |
| DO63055017 | 17 | B | 52 | 52 | 57 | 24 |
| DO63055019 | 19 | B | 52 | 52 | 57 | 24 |
| DO63055020 | 20 | B | 52 | 52 | 57 | 24 |
| DO63055021 | 21 | B | 52 | 52 | 57 | 24 |

| SIZE | | | | | | |
|-----------------|--------|------|-------|-------|------|-------|
| 6-Point normal | | | | | | 2 |
| Type | A/F mm | DRWG | D1 mm | D2 mm | L mm | L2 mm |
| Metrical | | | | | | |
| DO4010-0-017 | 17 | A | 34 | 54 | 60 | 12 |
| DO4010-0-018 | 18 | A | 35 | 54 | 60 | 13 |
| DO4010-0-019 | 19 | A | 35,5 | 54 | 60 | 13 |
| DO4010-0-020 | 20 | A | 37 | 54 | 60 | 14 |
| DO4010-0-021 | 21 | A | 38 | 54 | 60 | 15 |
| DO4010-0-022 | 22 | A | 40 | 54 | 60 | 15 |
| DO4010-0-023 | 23 | A | 41 | 54 | 60 | 16 |
| DO4010-0-024 | 24 | A | 42 | 54 | 60 | 18 |
| DO4010-0-025 | 25 | A | 43 | 54 | 60 | 18 |
| DO4010-0-026 | 26 | A | 44,5 | 54 | 60 | 18 |
| DO4010-0-027 | 27 | A | 46 | 54 | 60 | 19 |
| DO4010-0-028 | 28 | A | 47 | 54 | 62 | 19 |
| DO4010-0-029 | 29 | A | 48 | 54 | 62 | 19 |
| DO4010-0-030 | 30 | A | 50 | 54 | 62 | 21 |
| DO4010-0-031 | 31 | A | 51 | 54 | 62 | 21 |
| DO4010-0-032 | 32 | A | 52 | 54 | 62 | 22 |
| DO4010-0-033 | 33 | A | 53 | 54 | 62 | 22 |
| DO4010-0-034 | 34 | C | 55 | 54 | 62 | 22 |
| DO4010-0-035 | 35 | C | 56 | 54 | 65 | 22 |
| DO4010-0-036 | 36 | C | 57 | 54 | 67 | 25 |
| DO4010-0-037 | 37 | C | 59 | 54 | 67 | 25 |
| DO4010-0-038 | 38 | C | 59,5 | 54 | 67 | 25 |
| DO4010-0-039 | 39 | C | 60 | 54 | 70 | 25 |
| DO4010-0-040 | 40 | C | 62 | 54 | 70 | 25 |
| DO4010-0-041 | 41 | C | 64 | 54 | 70 | 27 |
| DO4010-0-042 | 42 | C | 65 | 54 | 74 | 27 |
| DO4010-0-043 | 43 | C | 66 | 54 | 74 | 27 |
| DO4010-0-045 | 45 | C | 68 | 54 | 74 | 27 |
| DO4010-0-046 | 46 | C | 69,5 | 54 | 76 | 30 |
| DO4010-0-047 | 47 | C | 72 | 54 | 76 | 32 |
| DO4010-0-048 | 48 | C | 73 | 54 | 76 | 32 |
| DO4010-0-050 | 50 | C | 74 | 54 | 80 | 35 |
| DO4010-0-052 | 52 | C | 77 | 54 | 84 | 35 |

| SIZE | | | | | | |
|----------------------------|--------|------|-------|-------|------|-------|
| 6-Point normal (continued) | | | | | | 2 |
| Type | A/F mm | DRWG | D1 mm | D2 mm | L mm | L2 mm |
| Metrical | | | | | | |
| DO4010-0-053 | 53 | C | 78 | 54 | 84 | 35 |
| DO4010-0-054 | 54 | C | 79 | 54 | 84 | 35 |
| DO4010-0-055 | 55 | C | 81 | 54 | 84 | 35 |
| DO4010-0-056 | 56 | C | 83 | 54 | 84 | 40 |
| DO4010-0-057 | 57 | C | 84 | 54 | 84 | 40 |
| DO4010-0-058 | 58 | C | 85 | 54 | 87 | 40 |
| DO4010-0-060 | 60 | C | 87 | 54 | 87 | 42 |
| DO4010-0-062 | 62 | C | 89 | 54 | 87 | 42 |
| DO4010-0-063 | 63 | C | 90 | 54 | 87 | 42 |
| DO4010-0-065 | 65 | C | 93 | 54 | 90 | 42 |
| DO4010-0-070 | 70 | C | 100 | 54 | 96 | 42 |
| DO4010-0-075 | 75 | C | 106 | 86 | 98 | 45 |
| DO4010-0-080 | 80 | C | 112 | 86 | 100 | 48 |
| DO4010-0-085 | 85 | C | 118 | 86 | 105 | 52 |
| DO4010-0-090 | 90 | C | 125 | 86 | 105 | 52 |
| DO4010-0-095 | 95 | C | 131 | 86 | 115 | 52 |
| DO4010-0-100 | 100 | C | 137 | 95 | 115 | 58 |
| DO4010-0-105 | 105 | C | 143 | 95 | 115 | 58 |

| SIZE | | | | | | |
|------------------|----------|------|-------|-------|------|-------|
| 6-Point normal | | | | | | 2 |
| Type | A/F | DRWG | D1 mm | D2 mm | L mm | L2 mm |
| SAE | | | | | | |
| DO4010-0-1 | 1 1/8" | A | 42 | 51 | 58 | 18 |
| DO4010-0-1 1/8 | 1 1/8" | A | 46 | 51 | 58 | 19 |
| DO4010-0-1 5/16 | 1 5/16" | C | 53 | 52 | 62 | 21 |
| DO4010-0-1 7/16 | 1 7/16" | C | 56 | 52 | 62 | 26 |
| DO4010-0-1 1/2 | 1 1/2" | C | 58 | 52 | 62 | 26 |
| DO4010-0-1 11/16 | 1 11/16" | C | 65 | 52 | 64 | 27 |
| DO4010-0-1 7/8 | 1 7/8" | C | 70 | 58 | 66 | 28 |
| DO4010-0-2 1/16 | 2 1/16" | C | 75 | 58 | 70 | 31 |
| DO4010-0-2 1/4 | 2 1/4" | C | 84 | 62 | 75 | 34 |
| DO4010-0-2 7/16 | 2 7/16" | C | 89 | 62 | 78 | 35 |
| DO4010-0-2 1/2 | 2 1/2" | C | 91 | 62 | 80 | 36 |
| DO4010-0-2 7/8 | 2 7/8" | C | 102 | 62 | 87 | 41 |



Impact sockets

1" Drive



1



2

TiD-extra
Industrial Technologies d.o.o.

| SIZE | | | | | | |
|--------------|--|--|--|--|--|---|
| 6-Point deep | | | | | | 1 |

| Type | A/F mm | DRWG | D1 mm | D2 mm | L mm | L2 mm |
|------|--------|------|-------|-------|------|-------|
|------|--------|------|-------|-------|------|-------|

Metrical

| | | | | | | |
|--------------|-----|---|------|----|-----|----|
| DO4010-1-017 | 17 | A | 34 | 54 | 100 | 17 |
| DO4010-1-018 | 18 | A | 34 | 54 | 100 | 18 |
| DO4010-1-019 | 19 | A | 35,5 | 54 | 100 | 19 |
| DO4010-1-020 | 20 | A | 36,5 | 54 | 100 | 20 |
| DO4010-1-021 | 21 | A | 37,5 | 54 | 100 | 21 |
| DO4010-1-022 | 22 | A | 40 | 54 | 100 | 22 |
| DO4010-1-023 | 23 | A | 41 | 54 | 100 | 23 |
| DO4010-1-024 | 24 | A | 42 | 54 | 100 | 24 |
| DO4010-1-025 | 25 | A | 43 | 54 | 100 | 25 |
| DO4010-1-026 | 26 | A | 44,5 | 54 | 100 | 26 |
| DO4010-1-027 | 27 | A | 46 | 54 | 100 | 27 |
| DO4010-1-028 | 28 | A | 47 | 54 | 100 | 28 |
| DO4010-1-029 | 29 | A | 48 | 54 | 100 | 29 |
| DO4010-1-030 | 30 | A | 50 | 54 | 100 | 30 |
| DO4010-1-031 | 31 | A | 51 | 54 | 100 | 31 |
| DO4010-1-032 | 32 | A | 52 | 54 | 100 | 32 |
| DO4010-1-033 | 33 | A | 53 | 53 | 100 | 33 |
| DO4010-1-034 | 34 | C | 55 | 54 | 100 | 34 |
| DO4010-1-035 | 35 | C | 56 | 54 | 100 | 35 |
| DO4010-1-036 | 36 | C | 57 | 54 | 100 | 36 |
| DO4010-1-037 | 37 | C | 57 | 54 | 100 | 37 |
| DO4010-1-038 | 38 | C | 59,5 | 54 | 100 | 38 |
| DO4010-1-039 | 39 | C | 61 | 54 | 100 | 38 |
| DO4010-1-040 | 40 | C | 62 | 54 | 100 | 38 |
| DO4010-1-041 | 41 | C | 64 | 54 | 100 | 38 |
| DO4010-1-042 | 42 | C | 65 | 54 | 100 | 38 |
| DO4010-1-046 | 46 | C | 69,5 | 54 | 100 | 38 |
| DO4010-1-047 | 47 | C | 71,5 | 54 | 100 | 38 |
| DO4010-1-048 | 48 | C | 72,5 | 54 | 100 | 38 |
| DO4010-1-050 | 50 | C | 75 | 54 | 100 | 38 |
| DO4010-1-054 | 54 | C | 80 | 54 | 100 | 40 |
| DO4010-1-055 | 55 | C | 81 | 54 | 100 | 40 |
| DO4010-1-056 | 56 | C | 82 | 54 | 105 | 40 |
| DO4010-1-058 | 58 | C | 85 | 54 | 105 | 40 |
| DO4010-1-060 | 60 | C | 87 | 54 | 120 | 42 |
| DO4010-1-065 | 65 | C | 93 | 54 | 125 | 42 |
| DO4010-1-070 | 70 | C | 100 | 54 | 125 | 42 |
| DO4010-1-075 | 75 | C | 106 | 86 | 135 | 45 |
| DO4010-1-080 | 80 | C | 112 | 86 | 135 | 48 |
| DO4010-1-085 | 85 | C | 118 | 86 | 140 | 52 |
| DO4010-1-090 | 90 | C | 125 | 86 | 140 | 52 |
| DO4010-1-095 | 95 | C | 131 | 86 | 140 | 52 |
| DO4010-1-100 | 100 | C | 137 | 95 | 140 | 58 |
| DO4010-1-105 | 105 | C | 143 | 95 | 155 | 58 |
| DO4010-1-110 | 110 | C | 149 | 95 | 155 | 60 |
| DO4010-1-115 | 115 | C | 155 | 95 | 155 | 62 |

| SIZE | | | | | | |
|--------------|--|--|--|--|--|---|
| 6-Point deep | | | | | | 1 |

| Type | A/F | DRWG | D1 mm | D2 mm | L mm | L2 mm |
|------|-----|------|-------|-------|------|-------|
|------|-----|------|-------|-------|------|-------|

SAE

| | | | | | | |
|-----------------|---------|---|----|----|----|----|
| DO4010-1-15/16 | 15/16" | A | 40 | 51 | 90 | 21 |
| DO4010-1-1 1/16 | 1 1/16" | A | 44 | 51 | 90 | 23 |
| DO4010-1-1 3/16 | 1 3/16" | A | 48 | 51 | 90 | 40 |
| DO4010-1-1 5/16 | 1 5/16" | C | 53 | 52 | 90 | 40 |
| DO4010-1-1 1/2 | 1 1/2" | C | 58 | 52 | 92 | 54 |

| SIZE | | | | | | |
|------------------------|--|--|--|--|--|---|
| 6-Point thin wall deep | | | | | | 1 |

| Type | A/F mm | DRWG | D1 mm | D2 mm | L mm | L2 mm |
|------|--------|------|-------|-------|------|-------|
|------|--------|------|-------|-------|------|-------|

Metrical

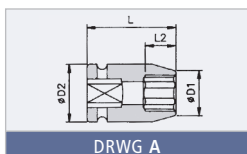
| | | | | | | |
|------------|----|---|------|----|-----|----|
| DO61151019 | 19 | A | 33 | 54 | 100 | 19 |
| DO61151024 | 24 | A | 38 | 54 | 100 | 24 |
| DO61151027 | 27 | A | 42,5 | 54 | 100 | 27 |
| DO61151028 | 28 | A | 43 | 54 | 100 | 28 |
| DO61151030 | 30 | A | 45 | 54 | 100 | 30 |
| DO61151032 | 32 | A | 47 | 54 | 100 | 32 |
| DO61151033 | 33 | A | 49 | 54 | 100 | 33 |
| DO61151036 | 36 | A | 52 | 54 | 100 | 36 |
| DO61151041 | 41 | C | 57 | 54 | 100 | 38 |

| SIZE | | | | | | |
|--------------------|--|--|--|--|--|---|
| 6-Point extra deep | | | | | | 2 |

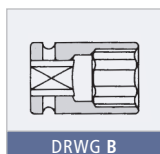
| Type | A/F mm | DRWG | D1 mm | D2 mm | L mm | L2 mm |
|------|--------|------|-------|-------|------|-------|
|------|--------|------|-------|-------|------|-------|

Metrical

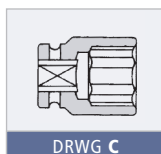
| | | | | | | |
|------------|----|---|----|----|-----|----|
| DO60559024 | 24 | B | 42 | 54 | 270 | 24 |
| DO60559026 | 26 | B | 44 | 54 | 270 | 26 |
| DO60559027 | 27 | B | 45 | 54 | 270 | 27 |
| DO60559030 | 30 | B | 50 | 54 | 270 | 30 |
| DO60559032 | 32 | B | 52 | 54 | 270 | 32 |
| DO60559033 | 33 | B | 52 | 54 | 270 | 32 |



DRWG A



DRWG B



DRWG C

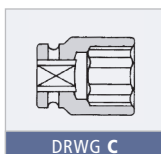
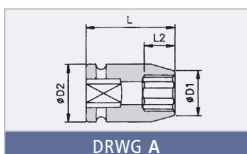
Impact sockets

1" Drive

| SIZE | | | | | | |
|-----------------|--------|------|-------|-------|------|-------|
| 8-Point | | | | | | 1 |
| Type | A/F mm | DRWG | D1 mm | D2 mm | L mm | L2 mm |
| Metrical | | | | | | |
| D063655019 | 19 | A | 45 | 54 | 60 | 13 |
| D063655024 | 24 | A | 52 | 54 | 60 | 18 |
| D063655027 | 27 | C | 56,5 | 54 | 60 | 19 |
| D063655030 | 30 | C | 61 | 54 | 62 | 21 |
| D063655032 | 32 | C | 64 | 54 | 62 | 22 |
| D063655035 | 35 | C | 68,5 | 58 | 65 | 22 |
| D063655038 | 38 | C | 73 | 58 | 67 | 24 |
| D063655046 | 46 | C | 86 | 62 | 76 | 30 |

| SIZE | | | | | | |
|-----------------|--------|------|-------|-------|------|-------|
| 12-Point normal | | | | | | 2 |
| Type | A/F mm | DRWG | D1 mm | D2 mm | L mm | L2 mm |
| Metrical | | | | | | |
| D065855016 | 16 | A | 32 | 54 | 60 | 11 |
| D065855017 | 17 | A | 34 | 54 | 60 | 11 |
| D065855018 | 18 | A | 35 | 54 | 60 | 13 |
| D065855019 | 19 | A | 36 | 54 | 60 | 13 |
| D065855020 | 20 | A | 37 | 54 | 60 | 13 |
| D065855021 | 21 | A | 38 | 54 | 60 | 15 |
| D065855022 | 22 | A | 39 | 54 | 60 | 15 |
| D065855023 | 23 | A | 40 | 54 | 60 | 15 |
| D065855024 | 24 | A | 41 | 54 | 60 | 18 |
| D065855025 | 25 | A | 43 | 54 | 60 | 18 |
| D065855026 | 26 | A | 44,5 | 54 | 60 | 18 |
| D065855027 | 27 | A | 45 | 54 | 60 | 19 |
| D065855028 | 28 | A | 46,5 | 54 | 62 | 19 |
| D065855029 | 29 | A | 48 | 54 | 62 | 19 |
| D065855030 | 30 | A | 50 | 54 | 62 | 21 |
| D065855031 | 31 | A | 51 | 54 | 62 | 21 |
| D065855032 | 32 | A | 52 | 54 | 62 | 22 |
| D065855033 | 33 | A | 53 | 54 | 62 | 22 |
| D065855034 | 34 | C | 55 | 54 | 62 | 22 |
| D065855035 | 35 | C | 56 | 54 | 65 | 22 |
| D065855036 | 36 | C | 57 | 54 | 67 | 24 |
| D065855037 | 37 | C | 59 | 54 | 67 | 24 |
| D065855038 | 38 | C | 60 | 54 | 67 | 24 |
| D065855039 | 39 | C | 61 | 54 | 70 | 24 |
| D065855040 | 40 | C | 62 | 54 | 70 | 24 |
| D065855041 | 41 | C | 63,5 | 54 | 70 | 27 |
| D065855042 | 42 | C | 65 | 54 | 74 | 27 |
| D065855043 | 43 | C | 66 | 54 | 74 | 27 |

| SIZE | | | | | | |
|-----------------------------|--------|------|-------|-------|------|-------|
| 12-Point normal (continued) | | | | | | 2 |
| Type | A/F mm | DRWG | D1 mm | D2 mm | L mm | L2 mm |
| Metrical | | | | | | |
| D065855044 | 44 | C | 67 | 54 | 74 | 27 |
| D065855045 | 45 | C | 68 | 54 | 74 | 27 |
| D065855046 | 46 | C | 70 | 58 | 76 | 30 |
| D065855047 | 47 | C | 71,5 | 58 | 76 | 30 |
| D065855048 | 48 | C | 72,5 | 58 | 76 | 30 |
| D065855050 | 50 | C | 75 | 62 | 80 | 32 |
| D065855051 | 51 | C | 76 | 62 | 80 | 32 |
| D065855052 | 52 | C | 77 | 62 | 84 | 32 |
| D065855053 | 53 | C | 78 | 62 | 84 | 32 |
| D065855054 | 54 | C | 80 | 62 | 84 | 32 |
| D065855055 | 55 | C | 81 | 62 | 84 | 35 |
| D065855056 | 56 | C | 82 | 62 | 84 | 35 |
| D065855057 | 57 | C | 84 | 62 | 84 | 35 |
| D065855058 | 58 | C | 85 | 62 | 87 | 37 |
| D065855060 | 60 | C | 87 | 62 | 87 | 37 |
| D065855062 | 62 | C | 89 | 62 | 87 | 37 |
| D065855063 | 63 | C | 90 | 62 | 87 | 37 |
| D065855065 | 65 | C | 93 | 62 | 90 | 40 |
| D065855067 | 67 | C | 96 | 62 | 92 | 40 |
| D065855070 | 70 | C | 100 | 62 | 96 | 40 |
| D065855075 | 75 | C | 106 | 86 | 98 | 42 |
| D065855076 | 76 | C | 107 | 86 | 100 | 45 |
| D065855077 | 77 | C | 109 | 86 | 100 | 45 |
| D065855078 | 78 | C | 110 | 86 | 100 | 45 |
| D065855080 | 80 | C | 112 | 86 | 100 | 45 |
| D065855085 | 85 | C | 118 | 86 | 105 | 52 |
| D065855090 | 90 | C | 125 | 86 | 105 | 52 |
| D065855095 | 95 | C | 131 | 86 | 105 | 52 |
| D065855100 | 100 | C | 137 | 86 | 110 | 58 |
| D065855105 | 105 | C | 143 | 95 | 110 | 58 |
| D065855110 | 110 | C | 149 | 95 | 115 | 62 |
| D065855115 | 115 | C | 155 | 95 | 115 | 62 |



Impact sockets

1" Drive



1



2

TiD-extra
Industrial Technologies d.o.o.

| SIZE | | | | | | 1 |
|---------------|--|--|--|--|--|---|
| 12-Point deep | | | | | | |

| Type | A/F mm | DRWG | D1 mm | D2 mm | L mm | L2 mm |
|------|--------|------|-------|-------|------|-------|
|------|--------|------|-------|-------|------|-------|

Metrical

| | | | | | | |
|------------|----|---|------|----|-----|----|
| DO65857016 | 16 | A | 32 | 54 | 100 | 11 |
| DO65857017 | 17 | A | 34 | 54 | 100 | 11 |
| DO65857018 | 18 | A | 35 | 54 | 100 | 13 |
| DO65857019 | 19 | A | 36 | 54 | 100 | 13 |
| DO65857020 | 20 | A | 37 | 54 | 100 | 13 |
| DO65857021 | 21 | A | 38 | 54 | 100 | 15 |
| DO65857022 | 22 | A | 39 | 54 | 100 | 15 |
| DO65857023 | 23 | A | 40 | 54 | 100 | 15 |
| DO65857024 | 24 | A | 41 | 54 | 100 | 18 |
| DO65857025 | 25 | A | 43 | 54 | 100 | 18 |
| DO65857026 | 26 | A | 44,5 | 54 | 100 | 18 |
| DO65857027 | 27 | A | 45 | 54 | 100 | 19 |
| DO65857028 | 28 | A | 46,5 | 54 | 100 | 19 |
| DO65857029 | 29 | A | 48 | 54 | 100 | 19 |
| DO65857030 | 30 | A | 50 | 54 | 100 | 21 |
| DO65857031 | 31 | A | 51 | 54 | 100 | 21 |
| DO65857032 | 32 | A | 52 | 54 | 100 | 22 |
| DO65857033 | 33 | A | 53 | 54 | 100 | 22 |
| DO65857034 | 34 | C | 55 | 54 | 100 | 22 |
| DO65857035 | 35 | C | 56 | 54 | 100 | 22 |
| DO65857036 | 36 | C | 57 | 54 | 100 | 24 |
| DO65857037 | 37 | C | 59 | 54 | 100 | 24 |
| DO65857038 | 38 | C | 60 | 54 | 100 | 24 |
| DO65857039 | 39 | C | 61 | 54 | 100 | 24 |
| DO65857040 | 40 | C | 62 | 54 | 100 | 24 |
| DO65857041 | 41 | C | 63,5 | 54 | 100 | 27 |
| DO65857042 | 42 | C | 65 | 54 | 100 | 27 |
| DO65857043 | 43 | C | 66 | 54 | 100 | 27 |
| DO65857044 | 44 | C | 67 | 54 | 100 | 27 |
| DO65857045 | 45 | C | 68 | 54 | 100 | 27 |
| DO65857046 | 46 | C | 70 | 58 | 100 | 30 |
| DO65857047 | 47 | C | 71,5 | 58 | 100 | 30 |
| DO65857048 | 48 | C | 72,5 | 58 | 100 | 30 |
| DO65857050 | 50 | C | 75 | 62 | 100 | 32 |
| DO65857051 | 51 | C | 76 | 62 | 100 | 32 |
| DO65857052 | 52 | C | 77 | 62 | 100 | 32 |
| DO65857053 | 53 | C | 78 | 62 | 100 | 32 |
| DO65857054 | 54 | C | 80 | 62 | 100 | 32 |
| DO65857055 | 55 | C | 81 | 62 | 100 | 35 |
| DO65857056 | 56 | C | 82 | 62 | 105 | 35 |
| DO65857057 | 57 | C | 84 | 62 | 105 | 35 |
| DO65857058 | 58 | C | 85 | 62 | 105 | 37 |
| DO65857060 | 60 | C | 87 | 62 | 120 | 37 |

| SIZE | | | | | | 1 |
|---------------------------|--|--|--|--|--|---|
| 12-Point deep (continued) | | | | | | |

| Type | A/F mm | DRWG | D1 mm | D2 mm | L mm | L2 mm |
|------|--------|------|-------|-------|------|-------|
|------|--------|------|-------|-------|------|-------|

Metrical

| | | | | | | |
|------------|-----|---|-----|----|-----|----|
| DO65857062 | 62 | C | 89 | 62 | 120 | 37 |
| DO65857063 | 63 | C | 90 | 62 | 120 | 37 |
| DO65857065 | 65 | C | 93 | 62 | 125 | 40 |
| DO65857067 | 67 | C | 96 | 62 | 125 | 40 |
| DO65857070 | 70 | C | 100 | 62 | 125 | 40 |
| DO65857075 | 75 | C | 106 | 86 | 135 | 42 |
| DO65857076 | 76 | C | 107 | 86 | 135 | 45 |
| DO65857077 | 77 | C | 109 | 86 | 135 | 45 |
| DO65857078 | 78 | C | 110 | 86 | 135 | 45 |
| DO65857080 | 80 | C | 112 | 86 | 135 | 45 |
| DO65857085 | 85 | C | 118 | 86 | 140 | 52 |
| DO65857090 | 90 | C | 125 | 86 | 140 | 52 |
| DO65857095 | 95 | C | 131 | 86 | 140 | 52 |
| DO65857100 | 100 | C | 137 | 86 | 140 | 58 |
| DO65857105 | 105 | C | 143 | 95 | 155 | 58 |
| DO65857110 | 110 | C | 149 | 95 | 155 | 62 |
| DO65857115 | 115 | C | 155 | 95 | 155 | 62 |

| SIZE | | | | | | 2 |
|----------------------------|--|--|--|--|--|---|
| Hex Driver 6-Point (Inbus) | | | | | | |

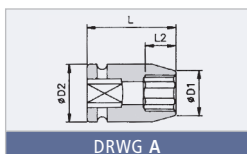
| Type | A/F mm | DRWG | D2 mm | D1 mm | L2 mm | - |
|------|--------|------|-------|-------|-------|---|
|------|--------|------|-------|-------|-------|---|

Metrical

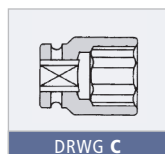
| | | | | | | |
|-----------|----|---|----|-----|----|---|
| DO696610A | 10 | D | 54 | 100 | 20 | - |
| DO696612A | 12 | D | 54 | 100 | 20 | - |
| DO696614A | 14 | D | 54 | 100 | 20 | - |
| DO696617A | 17 | D | 54 | 100 | 20 | - |
| DO696619A | 19 | D | 54 | 100 | 20 | - |
| DO696622A | 22 | D | 54 | 100 | 20 | - |
| DO696622B | 22 | D | 54 | 140 | 20 | - |
| DO696624A | 24 | D | 54 | 100 | 20 | - |
| DO696627A | 27 | D | 54 | 100 | 20 | - |
| DO696630A | 30 | D | 54 | 100 | 20 | - |
| DO696632A | 32 | D | 54 | 100 | 20 | - |
| DO696636A | 36 | D | 54 | 100 | 20 | - |

| Pin and Ring | | | |
|--------------|--------------|-------|--|
| Type | Square-drive | D2 mm | |

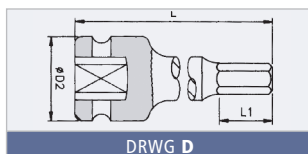
| | | | |
|--------------|----|----|--|
| DO1100-0-000 | 1" | 54 | |
| DO1100-0-086 | 1" | 86 | |
| DO1100-0-095 | 1" | 95 | |



DRWG A



DRWG C



DRWG D

Impact sockets

1 1/2" Drive



1 1/2" Impact Socket

| SIZE | | | | | | 1 |
|----------------|--|--|--|--|--|---|
| 6-Point normal | | | | | | |

| Type | A/F mm | DRWG | D1 mm | D2 mm | L mm | L2 mm |
|------|--------|------|-------|-------|------|-------|
|------|--------|------|-------|-------|------|-------|

Metrical

| | | | | | | |
|--------------|-----|---|-----|----|-----|----|
| DO5112-0-030 | 30 | A | 56 | 86 | 78 | 21 |
| DO5112-0-032 | 32 | A | 58 | 86 | 78 | 22 |
| DO5112-0-035 | 35 | A | 62 | 86 | 78 | 22 |
| DO5112-0-036 | 36 | A | 64 | 86 | 78 | 24 |
| DO5112-0-037 | 37 | A | 65 | 86 | 78 | 24 |
| DO5112-0-038 | 38 | A | 66 | 86 | 78 | 26 |
| DO5112-0-040 | 40 | A | 68 | 86 | 78 | 28 |
| DO5112-0-041 | 41 | A | 70 | 86 | 80 | 28 |
| DO5112-0-045 | 45 | A | 75 | 86 | 84 | 30 |
| DO5112-0-046 | 46 | A | 76 | 86 | 84 | 30 |
| DO5112-0-047 | 47 | A | 77 | 86 | 84 | 32 |
| DO5112-0-048 | 48 | A | 79 | 86 | 84 | 32 |
| DO5112-0-050 | 50 | A | 81 | 87 | 87 | 32 |
| DO5112-0-052 | 52 | A | 83 | 86 | 87 | 34 |
| DO5112-0-054 | 54 | B | 86 | 86 | 90 | 37 |
| DO5112-0-055 | 55 | B | 86 | 86 | 90 | 37 |
| DO5112-0-056 | 56 | B | 86 | 86 | 92 | 37 |
| DO5112-0-058 | 58 | C | 92 | 86 | 92 | 39 |
| DO5112-0-060 | 60 | C | 93 | 86 | 92 | 39 |
| DO5112-0-061 | 61 | C | 95 | 86 | 95 | 42 |
| DO5112-0-062 | 62 | C | 96 | 86 | 95 | 42 |
| DO5112-0-065 | 65 | C | 97 | 86 | 95 | 42 |
| DO5112-0-068 | 68 | C | 104 | 86 | 100 | 46 |
| DO5112-0-070 | 70 | C | 105 | 86 | 100 | 46 |
| DO5112-0-072 | 72 | C | 108 | 86 | 108 | 49 |
| DO5112-0-075 | 75 | C | 110 | 86 | 108 | 49 |
| DO5112-0-078 | 78 | C | 115 | 86 | 115 | 53 |
| DO5112-0-080 | 80 | C | 116 | 86 | 115 | 53 |
| DO5112-0-085 | 85 | C | 125 | 86 | 118 | 56 |
| DO5112-0-090 | 90 | C | 130 | 86 | 123 | 59 |
| DO5112-0-095 | 95 | C | 137 | 95 | 123 | 62 |
| DO5112-0-100 | 100 | C | 140 | 95 | 130 | 65 |
| DO5112-0-105 | 105 | C | 150 | 95 | 130 | 68 |
| DO5112-0-110 | 110 | C | 156 | 95 | 135 | 72 |
| DO5112-0-115 | 115 | C | 160 | 95 | 140 | 77 |
| DO5112-0-125 | 125 | C | 175 | 95 | 140 | 77 |

| SIZE | | | | | | 2 |
|--------------|--|--|--|--|--|---|
| 6-Point deep | | | | | | |

| Type | A/F mm | DRWG | D1 mm | D2 mm | L mm | L2 mm |
|------|--------|------|-------|-------|------|-------|
|------|--------|------|-------|-------|------|-------|

Metrical

| | | | | | | |
|--------------|-----|---|-----|-----|-----|----|
| DO5112-1-041 | 41 | A | 70 | 86 | 115 | 28 |
| DO5112-1-042 | 42 | A | 72 | 86 | 115 | 28 |
| DO5112-1-046 | 46 | A | 78 | 86 | 115 | 30 |
| DO5112-1-050 | 50 | A | 81 | 86 | 135 | 34 |
| DO5112-1-054 | 54 | B | 86 | 86 | 140 | 37 |
| DO5112-1-055 | 55 | B | 86 | 86 | 140 | 37 |
| DO5112-1-056 | 56 | B | 88 | 86 | 140 | 37 |
| DO5112-1-060 | 60 | C | 94 | 86 | 150 | 39 |
| DO5112-1-063 | 60 | C | 97 | 86 | 150 | 42 |
| DO5112-1-065 | 65 | C | 100 | 86 | 150 | 42 |
| DO5112-1-070 | 70 | C | 105 | 86 | 160 | 46 |
| DO5112-1-075 | 75 | C | 110 | 86 | 170 | 49 |
| DO5112-1-080 | 80 | C | 116 | 86 | 170 | 53 |
| DO5112-1-085 | 85 | C | 125 | 86 | 170 | 56 |
| DO5112-1-090 | 90 | C | 131 | 86 | 170 | 59 |
| DO5112-1-095 | 95 | C | 137 | 95 | 180 | 61 |
| DO5112-1-096 | 96 | C | 138 | 95 | 180 | 62 |
| DO5112-1-100 | 100 | C | 144 | 95 | 190 | 65 |
| DO5112-1-105 | 105 | C | 154 | 95 | 190 | 68 |
| DO5112-1-110 | 110 | C | 157 | 95 | 200 | 72 |
| DO5112-1-115 | 115 | C | 164 | 95 | 210 | 77 |
| DO5112-1-120 | 120 | C | 167 | 95 | 210 | 77 |
| DO5112-1-125 | 125 | C | 174 | 127 | 210 | 77 |

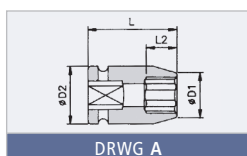


1

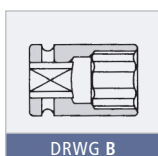


2

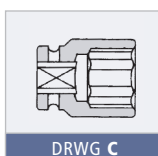
TiD-extra
Industrial Technologies d.o.o.



DRWG A



DRWG B



DRWG C

Impact sockets



#5 Spline Drive

1 1/2" Drive

SIZE

Hex Driver 6-Point (Inbus) 1

| Type | A/F mm | DRWG | D2 mm | L mm | L1 mm | - |
|------|--------|------|-------|------|-------|---|
|------|--------|------|-------|------|-------|---|

Metrical

| | | | | | | |
|------------|----|---|----|-----|----|---|
| DO64866019 | 19 | D | 86 | 105 | 20 | - |
| DO64866022 | 22 | D | 86 | 105 | 20 | - |
| DO64866024 | 24 | D | 86 | 105 | 20 | - |
| DO64866027 | 27 | D | 86 | 105 | 20 | - |
| DO64866030 | 30 | D | 86 | 105 | 20 | - |
| DO64866032 | 32 | D | 86 | 105 | 20 | - |
| DO64866033 | 33 | D | 86 | 105 | 20 | - |
| DO64866041 | 41 | D | 86 | 105 | 20 | - |
| DO64866046 | 46 | D | 86 | 105 | 20 | - |
| DO64866050 | 50 | D | 86 | 105 | 20 | - |
| DO64866055 | 55 | D | 86 | 105 | 20 | - |

| | | | | | | |
|------------|----|---|----|-----|----|---|
| DO64865019 | 19 | D | 86 | 120 | 20 | - |
| DO64865022 | 22 | D | 86 | 120 | 20 | - |
| DO64865024 | 24 | D | 86 | 120 | 20 | - |
| DO64865027 | 27 | D | 86 | 120 | 20 | - |
| DO64865030 | 30 | D | 86 | 120 | 20 | - |
| DO64865032 | 32 | D | 86 | 120 | 20 | - |
| DO64865033 | 33 | D | 86 | 120 | 20 | - |
| DO64865036 | 36 | D | 86 | 120 | 20 | - |
| DO64865038 | 38 | D | 86 | 120 | 20 | - |
| DO64865041 | 41 | D | 86 | 120 | 20 | - |
| DO64865046 | 46 | D | 86 | 120 | 20 | - |
| DO64865050 | 50 | D | 86 | 120 | 20 | - |
| DO64865055 | 55 | D | 86 | 120 | 20 | - |

Pin and Ring

DO1112-0-000



2 1/2" Drive

SIZE

6-Point normal 2

| Type | A/F mm | DRWG | D1 mm | D2 mm | L mm | L2 mm |
|------|--------|------|-------|-------|------|-------|
|------|--------|------|-------|-------|------|-------|

Metrical

| | | | | | | |
|--------------|-----|---|-----|-----|-----|-----|
| DO6212-0-060 | 60 | A | 99 | 127 | 125 | 37 |
| DO6212-0-065 | 65 | A | 105 | 127 | 130 | 40 |
| DO6212-0-070 | 70 | A | 110 | 127 | 130 | 40 |
| DO6212-0-075 | 75 | A | 118 | 127 | 140 | 42 |
| DO6212-0-077 | 77 | A | 122 | 127 | 140 | 45 |
| DO6212-0-080 | 80 | A | 124 | 127 | 140 | 45 |
| DO6212-0-085 | 85 | C | 130 | 127 | 140 | 52 |
| DO6212-0-090 | 90 | C | 136 | 127 | 145 | 52 |
| DO6212-0-095 | 95 | C | 143 | 127 | 145 | 52 |
| DO6212-0-100 | 100 | C | 149 | 127 | 150 | 58 |
| DO6212-0-105 | 105 | C | 155 | 127 | 155 | 58 |
| DO6212-0-110 | 110 | C | 161 | 127 | 160 | 60 |
| DO6212-0-115 | 115 | C | 167 | 127 | 165 | 62 |
| DO6212-0-120 | 120 | C | 176 | 127 | 170 | 67 |
| DO6212-0-125 | 125 | C | 184 | 127 | 175 | 72 |
| DO6212-0-130 | 130 | C | 188 | 152 | 175 | 72 |
| DO6212-0-135 | 135 | C | 195 | 152 | 180 | 77 |
| DO6212-0-140 | 140 | C | 204 | 152 | 180 | 77 |
| DO6212-0-145 | 145 | C | 207 | 152 | 185 | 83 |
| DO6212-0-150 | 150 | C | 214 | 152 | 185 | 83 |
| DO6212-0-155 | 155 | C | 224 | 152 | 190 | 90 |
| DO6212-0-160 | 160 | C | 227 | 152 | 190 | 90 |
| DO6212-0-165 | 165 | C | 234 | 152 | 195 | 95 |
| DO6212-0-170 | 170 | C | 244 | 152 | 195 | 95 |
| DO6212-0-175 | 175 | C | 247 | 152 | 200 | 100 |
| DO6212-0-180 | 180 | C | 254 | 152 | 200 | 100 |
| DO6212-0-185 | 185 | C | 257 | 152 | 210 | 105 |
| DO6212-0-190 | 190 | C | 265 | 152 | 210 | 105 |
| DO6212-0-200 | 200 | C | 275 | 152 | 220 | 110 |

Pin and Ring

DO2112-0-000



#5 Spline Drive

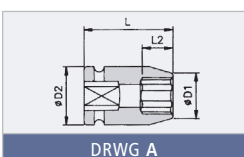
SIZE

6-Point normal 3

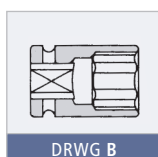
| Type | A/F mm | DRWG | D1 mm | D2 mm | L mm | L2 mm |
|------|--------|------|-------|-------|------|-------|
|------|--------|------|-------|-------|------|-------|

Metrical

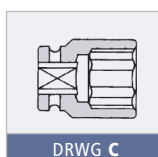
| | | | | | | |
|------------|----|---|----|----|-----|----|
| DO67005027 | 27 | A | 48 | 55 | 80 | 24 |
| DO67005030 | 30 | A | 51 | 55 | 80 | 24 |
| DO67005032 | 32 | B | 55 | 55 | 80 | 24 |
| DO67005041 | 41 | C | 67 | 55 | 80 | 24 |
| DO67005050 | 50 | C | 75 | 65 | 98 | 38 |
| DO67005055 | 55 | C | 79 | 65 | 98 | 38 |
| DO67005060 | 60 | C | 86 | 65 | 106 | 46 |
| DO67005070 | 70 | C | 99 | 86 | 117 | 57 |



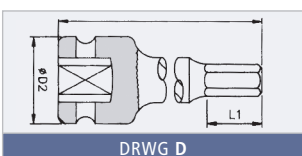
DRWG A



DRWG B



DRWG C



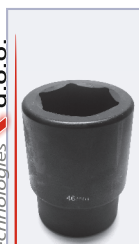
DRWG D



1

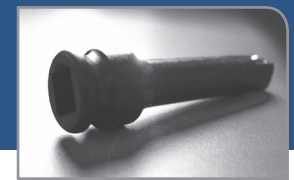


2



3

Adaptors



Extension bar with steel ball

Extensions

Extension Bars with pin hole

1

| Type | Square-drive | DRWG | D mm | L mm |
|-----------------|--------------|------|------|------|
| Metrical | | | | |
| D07014-0-050 | 1/4" | B | 13 | 50 |
| D07014-0-100 | 1/4" | B | 13 | 100 |
| D07014-0-150 | 1/4" | B | 13 | 150 |
| D07038-0-075 | 3/8" | B | 19 | 75 |
| D07038-0-100 | 3/8" | B | 19 | 100 |
| D07038-0-125 | 3/8" | B | 19 | 125 |
| D07038-0-150 | 3/8" | B | 19 | 150 |
| D07038-0-200 | 3/8" | B | 19 | 200 |
| D07038-0-250 | 3/8" | B | 19 | 250 |
| D07012-0-075 | 1/2" | B | 25 | 75 |
| D07012-0-100 | 1/2" | B | 25 | 100 |
| D07012-0-125 | 1/2" | B | 25 | 125 |
| D07012-0-150 | 1/2" | B | 25 | 150 |
| D07012-0-175 | 1/2" | B | 25 | 175 |
| D07012-0-200 | 1/2" | B | 25 | 200 |
| D07012-0-250 | 1/2" | B | 25 | 250 |
| D07012-0-300 | 1/2" | B | 25 | 300 |
| D07012-0-460 | 1/2" | B | 25 | 460 |
| D07012-0-610 | 1/2" | B | 25 | 610 |
| D07012-0-915 | 1/2" | B | 25 | 915 |
| D07034-0-075 | 3/4" | B | 44 | 75 |
| D07034-0-100 | 3/4" | B | 44 | 100 |
| D07034-0-125 | 3/4" | B | 44 | 125 |
| D07034-0-150 | 3/4" | B | 44 | 150 |
| D07034-0-175 | 3/4" | B | 44 | 175 |
| D07034-0-200 | 3/4" | B | 44 | 200 |
| D07034-0-250 | 3/4" | B | 44 | 250 |
| D07034-0-300 | 3/4" | B | 44 | 300 |
| D07034-0-330 | 3/4" | B | 44 | 330 |
| D07034-0-400 | 3/4" | B | 44 | 400 |
| D07100-0-075 | 1" | B | 54 | 75 |
| D07100-0-100 | 1" | B | 54 | 100 |
| D07100-0-125 | 1" | B | 54 | 125 |
| D07100-0-150 | 1" | B | 54 | 150 |
| D07100-0-175 | 1" | B | 54 | 175 |
| D07100-0-200 | 1" | B | 54 | 200 |
| D07100-0-250 | 1" | B | 54 | 250 |
| D07100-0-300 | 1" | B | 54 | 300 |
| D07100-0-330 | 1" | B | 54 | 330 |
| D07100-0-350 | 1" | B | 54 | 350 |
| D07100-0-400 | 1" | B | 54 | 400 |
| D07112-0-125 | 1 1/2" | B | 86 | 125 |
| D07112-0-250 | 1 1/2" | B | 86 | 250 |
| D07112-0-500 | 1 1/2" | B | 86 | 500 |
| D07212-0-125 | 2 1/2" | B | 127 | 125 |
| D07212-0-250 | 2 1/2" | B | 127 | 250 |
| D07212-0-500 | 2 1/2" | B | 127 | 500 |

Pin and rings are not standard on the universal joints with pin hole.
Please order separately.

Extension Bars with steel ball

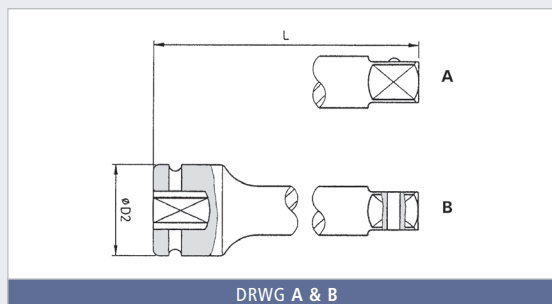
2

| Type | Square-drive | DRWG | D2 mm | L mm |
|-----------------|--------------|------|-------|------|
| Metrical | | | | |
| D06862075 | 3/8" | A | 19 | 75 |
| D06862100 | 3/8" | A | 19 | 100 |
| D06862125 | 3/8" | A | 19 | 125 |
| D06862150 | 3/8" | A | 19 | 150 |
| D06862250 | 3/8" | A | 19 | 250 |
| D06863075 | 1/2" | A | 25 | 75 |
| D06863100 | 1/2" | A | 25 | 100 |
| D06863125 | 1/2" | A | 25 | 125 |
| D06863250 | 1/2" | A | 25 | 250 |

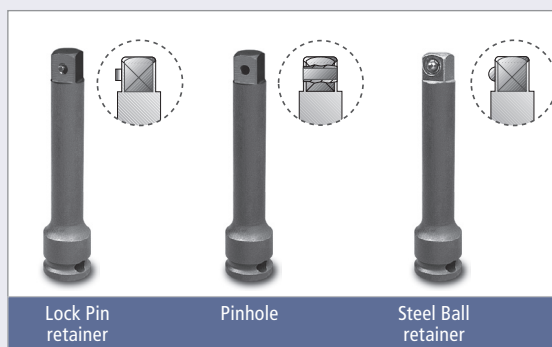
Lock Pin retainer

2

| Type | Square-drive | DRWG | D2 mm | L mm |
|-----------------|--------------|------|-------|------|
| Metrical | | | | |
| D064524075 | 1/2" | A | 25 | 75 |
| D064524100 | 1/2" | A | 25 | 100 |
| D064524125 | 1/2" | A | 25 | 125 |
| D064524150 | 1/2" | A | 25 | 150 |
| D064524200 | 1/2" | A | 25 | 200 |
| D064524450 | 1/2" | A | 25 | 450 |



DRWG A & B



Lock Pin retainer

Pinhole

Steel Ball retainer



1



2

Adaptors



Universal Joint



1



2



3



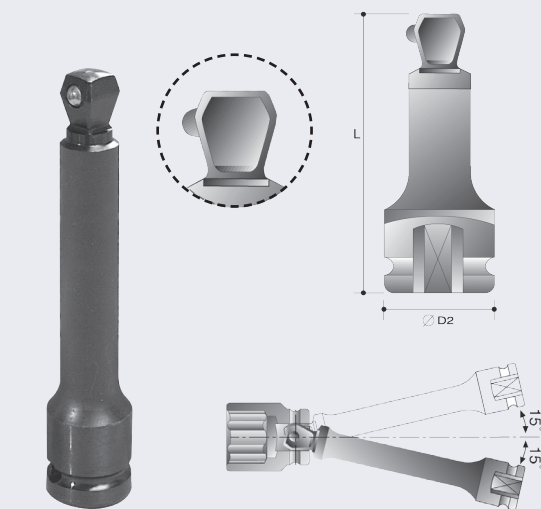
4

Wobble Extension Bars

| Type | Square-drive | Out-side | D2 mm | L mm | Type |
|-----------------|--------------|----------|-------|------|---------------------|
| Metrical | | | | | |
| DO6450F050 | 1/4" | 1/4" | 13 | 50 | Steel Ball Retainer |
| DO6450F075 | 1/4" | 1/4" | 13 | 75 | Steel Ball Retainer |
| DO6450F100 | 1/4" | 1/4" | 13 | 100 | Steel Ball Retainer |

| | | | | | |
|------------|------|------|----|-----|---------------------|
| DO6451F050 | 3/8" | 3/8" | 19 | 50 | Steel Ball Retainer |
| DO6451F075 | 3/8" | 3/8" | 19 | 75 | Steel Ball Retainer |
| DO6451F100 | 3/8" | 3/8" | 19 | 100 | Steel Ball Retainer |
| DO6451F200 | 3/8" | 3/8" | 19 | 200 | Steel Ball Retainer |

| | | | | | |
|------------|------|------|----|-----|---------------------|
| DO6452F075 | 1/2" | 1/2" | 25 | 75 | Steel Ball Retainer |
| DO6452F125 | 1/2" | 1/2" | 25 | 125 | Steel Ball Retainer |
| DO6452F200 | 1/2" | 1/2" | 25 | 200 | Steel Ball Retainer |



Steel Ball Retainer

Universal Joints

Universal Joints with steel ball

2

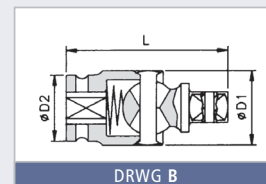
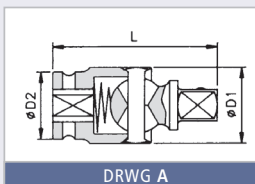
| Type | Square-drive | DRWG | D2 mm | D1 mm | L mm |
|-----------------|--------------|------|-------|-------|------|
| Metrical | | | | | |
| DO6781F1T | 1/4" | A | 16 | - | 43 |
| DO6782F2T | 3/8" | A | 21 | 24 | 50 |
| DO6783F3T | 1/2" | A | 29 | 32 | 60 |
| DO6784F4T | 3/4" | A | 44 | - | 105 |

Universal Joints with pin hole

3

| Type | Square-drive | DRWG | D2 mm | L mm | - |
|-----------------|--------------|------|-------|------|---|
| Metrical | | | | | |
| DO9014-0-000 | 1/4" | B | 16 | 43 | - |
| DO9038-0-000 | 3/8" | B | 21 | 50 | - |
| DO9012-0-000 | 1/2" | B | 29 | 60 | - |
| DO9034-0-000 | 3/4" | B | 44 | 105 | - |
| DO9100-0-000 | 1" | B | 54 | 133 | - |
| DO9112-0-000 | 1 1/2" | B | 86 | 182 | - |

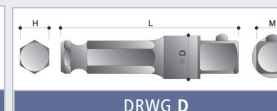
Pin and rings are not standard on the universal joints with pin hole. Please order separately.



Impact adaptors

4

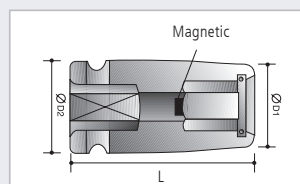
| Type | Square-drive | Hex | DRWG | L mm | D mm |
|-----------------|--------------|-------|------|------|------|
| Metrical | | | | | |
| DO69306050 | 1/4" | 1/4" | C | 50 | 9 |
| DO69306075 | 1/4" | 1/4" | C | 75 | 9 |
| DO69306100 | 1/4" | 1/4" | C | 100 | 9 |
| DO69306150 | 1/4" | 1/4" | C | 150 | 9 |
| DO69316050 | 3/8" | 1/4" | C | 50 | 13 |
| DO69316075 | 3/8" | 1/4" | C | 75 | 13 |
| DO69316100 | 3/8" | 1/4" | C | 100 | 13 |
| DO69318075 | 3/8" | 7/16" | D | 75 | 13 |
| DO6932E050 | 1/2" | 1/4" | C | 50 | 17 |
| DO69328075 | 1/2" | 7/16" | D | 75 | 17 |



Impact bit holder

1

| Type | Square-drive | Hex | L mm |
|------------|--------------|-------|------|
| DO69121008 | 3/8" | 1/4" | 32 |
| DO69121010 | 3/8" | 5/16" | 37 |
| DO69121016 | 3/8" | 1/2" | 37 |
| DO69122008 | 1/2" | 1/4" | 40 |
| DO69122010 | 1/2" | 5/16" | 40 |
| DO69122016 | 1/2" | 1/2" | 40 |



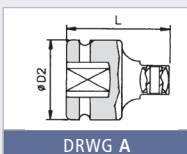
Adaptors

Adaptors

Adaptors with pin hole

1

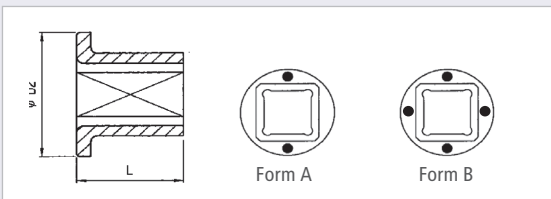
| Type | Square-drive | Outside | DRWG | D2 mm | L mm |
|-----------------|--------------|---------|------|-------|------|
| Metrical | | | | | |
| DO8014-0-038 | 1/4" | 3/8" | A | 13 | 26 |
| DO8038-0-014 | 3/8" | 1/4" | A | 22 | 32 |
| DO8038-0-012 | 3/8" | 1/2" | A | 22 | 36 |
| DO8012-0-034 | 1/2" | 3/4" | A | 30 | 48 |
| DO8012-0-038 | 1/2" | 3/8" | A | 26 | 38 |
| DO8034-0-012 | 3/4" | 1/2" | A | 40 | 58 |
| DO8034-0-100 | 3/4" | 1" | A | 40 | 63 |
| DO8100-0-034 | 1" | 3/4" | A | 52 | 80 |
| DO8100-0-112 | 1" | 1 1/2" | A | 52 | 91 |
| DO8112-0-100 | 1 1/2" | 1" | A | 84 | 95 |
| DO8112-0-212 | 1 1/2" | 2 1/2" | A | 86 | 120 |
| DO8134-0-112 | 1 3/4" | 1 1/2" | A | 127 | 153 |
| DO8212-0-112 | 2 1/2" | 1 1/2" | A | 127 | 138 |



Magnetic Reducing Adaptors

2

| Type | Square-drive | Ext. | Form | D2 mm | L mm |
|-----------------|--------------|--------|------|-------|------|
| Metrical | | | | | |
| DO69880P12 | 1/4" | 3/8" | A | 19 | 17 |
| DO69880P16 | 1/4" | 1/2" | A | 25 | 22 |
| DO69881P16 | 3/8" | 1/2" | A | 25 | 22 |
| DO69881P20 | 1/2" | 5/8" | A | 35 | 23 |
| DO69882P24 | 1/2" | 3/4" | A | 44 | 30 |
| DO69884P32 | 3/4" | 1" | B | 54 | 35 |
| DO69885P48 | 1" | 1-1/2" | B | 86 | 50 |
| DO69886P80 | 1-1/2" | 2-1/2" | B | 127 | 59 |
| DO69888P01 | 2-1/2" | 3-1/2" | B | 176 | 95 |



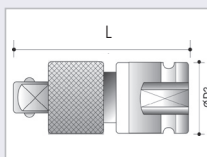
Quick-Change adaptors



Quick-Change adaptors

3

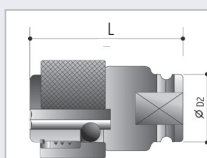
| Type | Drive-in | Drive-out | L mm |
|-----------------|----------|-----------|------|
| Metrical | | | |
| DO69110C08 | 1/4" | 1/4" | 35 |
| DO69111C12 | 3/8" | 3/8" | 46 |
| DO69111C16 | 3/8" | 1/2" | 60 |
| DO69112C12 | 1/2" | 3/8" | 54 |
| DO69112C16 | 1/2" | 1/2" | 60 |
| DO69114C16 | 3/4" | 1/2" | 70 |
| DO69114C24 | 3/4" | 3/4" | 78 |
| DO69115C24 | 1" | 3/4" | 90 |
| DO69115C32 | 1" | 1" | 100 |
| DO69115C64 | 1" | 3/4" | 300 |



Bitholder

4

| Type | Square-drive | Hex chuck | D2 mm | L mm |
|-----------------|--------------|-----------|-------|------|
| Metrical | | | | |
| DO69121B08 | 3/8" | 1/4" | 22 | 33 |
| DO69122B08 | 1/2" | 1/4" | 25 | 41 |



1



2



3



4

Sleeve drive sockets

3/8" Drive



1



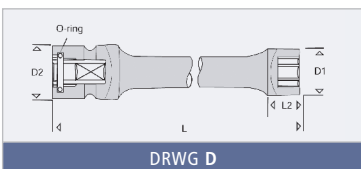
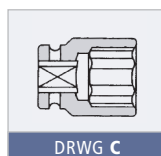
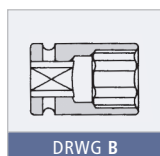
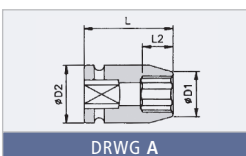
2



3

| SIZE | | | | | | |
|-----------------|--------|------|-------|-------|------|-------|
| 6-Point normal | | | | | | 1 |
| Type | A/F mm | DRWG | D1 mm | D2 mm | L mm | L2 mm |
| Metrical | | | | | | |
| DO60910006 | 6 | A | 11 | 19 | 43 | 5 |
| DO60910007 | 7 | A | 12 | 19 | 43 | 5 |
| DO60910008 | 8 | A | 13 | 19 | 43 | 7 |
| DO60910009 | 9 | A | 15 | 19 | 43 | 7 |
| DO60910010 | 10 | A | 16 | 19 | 43 | 8 |
| DO60910011 | 11 | A | 17,5 | 19 | 43 | 9 |
| DO60910012 | 12 | B | 19 | 19 | 43 | 9 |
| DO60910013 | 13 | A | 20 | 22 | 43 | 9 |
| DO60910014 | 14 | A | 21 | 22 | 43 | 9 |
| DO60910015 | 15 | B | 22 | 22 | 43 | 11 |
| DO60910016 | 16 | C | 24 | 22 | 43 | 11 |
| DO60910017 | 17 | C | 25 | 22 | 43 | 11 |
| DO60910018 | 18 | C | 26 | 22 | 43 | 11 |
| DO60910019 | 19 | C | 27,5 | 22 | 43 | 11 |
| DO60910021 | 21 | C | 30 | 22 | 43 | 13 |

| SIZE | | | | | | |
|-------------------------|--------|------|-------|-------|------|-------|
| 6-Point normal magnetic | | | | | | 1 |
| Type | A/F mm | DRWG | D1 mm | D2 mm | L mm | L2 mm |
| Metrical | | | | | | |
| DO6091A006 | 6 | A | 11 | 19 | 43 | 5 |
| DO6091A007 | 7 | A | 12 | 19 | 43 | 5 |
| DO6091A008 | 8 | A | 13 | 19 | 43 | 7 |
| DO6091A009 | 9 | A | 15 | 19 | 43 | 7 |
| DO6091A010 | 10 | A | 16 | 19 | 43 | 8 |
| DO6091A011 | 11 | A | 17,5 | 19 | 43 | 9 |
| DO6091A012 | 12 | B | 18,5 | 19 | 43 | 9 |
| DO6091A013 | 13 | A | 20 | 22 | 43 | 9 |
| DO6091A014 | 14 | A | 21 | 22 | 43 | 9 |
| DO6091A015 | 15 | B | 22 | 22 | 43 | 11 |
| DO6091A016 | 16 | C | 24 | 22 | 43 | 11 |
| DO6091A017 | 17 | C | 25 | 22 | 43 | 11 |
| DO6091A018 | 18 | C | 26 | 22 | 43 | 11 |
| DO6091A019 | 19 | C | 27 | 22 | 43 | 11 |
| DO6091A020 | 20 | C | 28 | 22 | 43 | 13 |
| DO6091A021 | 21 | C | 30 | 22 | 43 | 13 |
| DO6091A022 | 22 | C | 31 | 22 | 50 | 13 |
| DO6091A023 | 23 | C | 32 | 22 | 50 | 13 |
| DO6091A024 | 24 | C | 34 | 22 | 50 | 13 |
| DO6091A025 | 25 | C | 35 | 22 | 50 | 13 |
| DO6091A026 | 26 | C | 36 | 22 | 50 | 13 |
| DO6091A027 | 27 | C | 38 | 22 | 50 | 13 |



| SIZE | | | | | | |
|-----------------|--------|------|-------|-------|------|-------|
| 6-Point long | | | | | | 3 |
| Type | A/F mm | DRWG | D1 mm | D2 mm | L mm | L2 mm |
| Metrical | | | | | | |
| DO60913006 | 6 | D | 10,5 | 22 | 100 | 4 |
| DO60913008 | 8 | D | 12,5 | 22 | 100 | 8 |
| DO60913010 | 10 | D | 15 | 22 | 100 | 8 |
| DO60913012 | 12 | D | 18 | 22 | 100 | 9 |
| DO60913013 | 13 | D | 19 | 22 | 100 | 9 |
| DO60913014 | 14 | D | 20 | 22 | 100 | 9 |
| DO60913015 | 15 | D | 21 | 22 | 100 | 11 |
| DO60913016 | 16 | D | 22,5 | 22 | 100 | 11 |
| DO60913017 | 17 | D | 24 | 22 | 100 | 11 |
| DO60914006 | 6 | D | 10,5 | 22 | 150 | 4 |
| DO60914008 | 8 | D | 12,5 | 22 | 150 | 8 |
| DO60914010 | 10 | D | 15 | 22 | 150 | 8 |
| DO60914012 | 12 | D | 18 | 22 | 150 | 9 |
| DO60914013 | 13 | D | 19 | 22 | 150 | 9 |
| DO60914014 | 14 | D | 20 | 22 | 150 | 9 |
| DO60914015 | 15 | D | 21 | 22 | 150 | 11 |
| DO60914016 | 16 | D | 22,5 | 22 | 150 | 11 |
| DO60914017 | 17 | D | 24 | 22 | 150 | 11 |
| DO60915006 | 6 | D | 10,5 | 22 | 200 | 4 |
| DO60915008 | 8 | D | 12,5 | 22 | 200 | 8 |
| DO60915010 | 10 | D | 15 | 22 | 200 | 8 |
| DO60915012 | 12 | D | 18 | 22 | 200 | 9 |
| DO60915013 | 13 | D | 19 | 22 | 200 | 9 |
| DO60915014 | 14 | D | 20 | 22 | 200 | 9 |
| DO60915015 | 15 | D | 21 | 22 | 200 | 11 |
| DO60915016 | 16 | D | 22,5 | 22 | 200 | 11 |
| DO60915017 | 17 | D | 24 | 22 | 200 | 11 |

| SIZE | | | | | | |
|-----------------------|--------|------|-------|-------|------|-------|
| 6-Point long magnetic | | | | | | 3 |
| Type | A/F mm | DRWG | D1 mm | D2 mm | L mm | L2 mm |
| Metrical | | | | | | |
| DO6091P006 | 6 | D | 11 | 19 | 100 | 3 |
| DO6091P007 | 7 | D | 12 | 19 | 100 | 3 |
| DO6091P008 | 8 | D | 13 | 19 | 100 | 4 |
| DO6091P009 | 9 | D | 15 | 19 | 100 | 4 |
| DO6091P010 | 10 | D | 16 | 19 | 100 | 4 |
| DO6091P011 | 11 | D | 17,5 | 19 | 100 | 5 |
| DO6091P012 | 12 | D | 18,5 | 19 | 100 | 5 |
| DO6091P013 | 13 | D | 20 | 22 | 100 | 6 |
| DO6091P014 | 14 | D | 21 | 22 | 100 | 6 |
| DO6091P015 | 15 | D | 22 | 22 | 100 | 7 |
| DO6091P016 | 16 | D | 24 | 22 | 100 | 7 |
| DO6091P017 | 17 | D | 25 | 22 | 100 | 7 |
| DO6091R006 | 6 | D | 11 | 19 | 150 | 3 |
| DO6091R007 | 7 | D | 12 | 19 | 150 | 3 |
| DO6091R008 | 8 | D | 13 | 19 | 150 | 4 |
| DO6091R009 | 9 | D | 15 | 19 | 150 | 4 |
| DO6091R010 | 10 | D | 16 | 19 | 150 | 4 |
| DO6091R011 | 11 | D | 17,5 | 19 | 150 | 5 |
| DO6091R012 | 12 | D | 18,5 | 19 | 150 | 5 |
| DO6091R013 | 13 | D | 20 | 22 | 150 | 6 |
| DO6091R014 | 14 | D | 21 | 22 | 150 | 6 |
| DO6091R015 | 15 | D | 22 | 22 | 150 | 7 |
| DO6091R016 | 16 | D | 24 | 22 | 150 | 7 |
| DO6091R017 | 17 | D | 25 | 22 | 150 | 7 |

Sleeve drive sockets

3/8" Drive

SIZE 1

6-Point long magnetic (continued)

| Type | A/F mm | DRWG | D1 mm | D2 mm | L mm | L2 mm |
|-----------------|--------|------|-------|-------|------|-------|
| Metrical | | | | | | |
| DO6091T007 | 7 | D | 12 | 19 | 200 | 3 |
| DO6091T008 | 8 | D | 13 | 19 | 200 | 4 |
| DO6091T009 | 9 | D | 15 | 19 | 200 | 4 |
| DO6091T010 | 10 | D | 16 | 19 | 200 | 4 |
| DO6091T011 | 11 | D | 17,5 | 19 | 200 | 5 |
| DO6091T012 | 12 | D | 18,5 | 19 | 200 | 5 |
| DO6091T013 | 13 | D | 20 | 22 | 200 | 6 |
| DO6091T014 | 14 | D | 21 | 22 | 200 | 6 |
| DO6091T015 | 15 | D | 22 | 22 | 200 | 7 |
| DO6091T016 | 16 | D | 24 | 22 | 200 | 7 |
| DO6091T017 | 17 | D | 25 | 22 | 200 | 7 |

SIZE 2

6-Point deep magnetic

| Type | A/F mm | DRWG | D1 mm | D2 mm | L mm | L2 mm |
|-----------------|--------|------|-------|-------|------|-------|
| Metrical | | | | | | |
| DO6091Q010 | 10 | A | 16,0 | 19 | 100 | 5 |
| DO6091Q012 | 12 | A | 18,5 | 19 | 100 | 6 |
| DO6091Q013 | 13 | A | 20,0 | 22 | 100 | 6 |
| DO6091Q014 | 14 | A | 21,0 | 22 | 100 | 6 |
| DO6091Q016 | 16 | A | 24,0 | 22 | 100 | 7 |

SIZE 3

Torx® intern

| Type | A/F | DRWG | L1 mm | D2 mm | L mm | - |
|------------|-----|------|-------|-------|------|---|
| DO68811009 | T9 | F | 2,0 | 22 | 75 | - |
| DO68811010 | T10 | F | 2,8 | 22 | 75 | - |
| DO68811015 | T15 | F | 2,8 | 22 | 75 | - |
| DO68811020 | T20 | F | 2,8 | 22 | 75 | - |
| DO68811025 | T25 | F | 3,0 | 22 | 75 | - |
| DO68811027 | T27 | F | 3,0 | 22 | 75 | - |
| DO68811030 | T30 | F | 3,8 | 22 | 75 | - |
| DO68811040 | T40 | F | 3,8 | 22 | 75 | - |
| DO68811045 | T45 | F | 4,3 | 22 | 75 | - |
| DO68811047 | T47 | F | 5,0 | 22 | 75 | - |
| DO68811050 | T50 | F | 5,0 | 22 | 75 | - |
| DO68811055 | T55 | F | 5,0 | 22 | 75 | - |

Torx® is a trademark of Textron.

SIZE 4

Torx® extern

| Type | A/F | DRWG | D1 mm | D2 mm | L mm | L2 mm |
|------------|-----|------|-------|-------|------|-------|
| DO66910005 | E5 | A | 8 | 19 | 43 | 4,5 |
| DO66910006 | E6 | A | 9 | 19 | 43 | 5 |
| DO66910007 | E7 | A | 9,5 | 19 | 43 | 6 |
| DO66910008 | E8 | A | 11 | 19 | 43 | 6,5 |
| DO66910010 | E10 | A | 13 | 19 | 43 | 7,5 |
| DO66910011 | E11 | A | 14 | 19 | 43 | 8 |
| DO66910012 | E12 | A | 15,5 | 19 | 43 | 8,5 |
| DO66910014 | E14 | A | 17,5 | 22 | 43 | 10 |
| DO66910016 | E16 | A | 18,5 | 22 | 43 | 11 |

Torx® is a trademark of Textron.

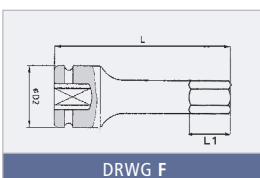
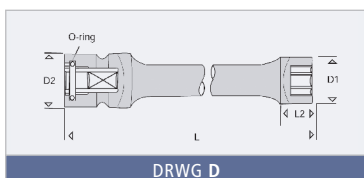
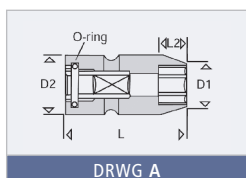
SIZE 5

Hex Driver (Inbus)

| Type | A/F mm | DRWG | L1 mm | D2 mm | L mm | - |
|-----------------|--------|------|-------|-------|------|---|
| Metrical | | | | | | |
| DO68916003 | 3 | F | 11 | 22 | 75 | - |
| DO68916004 | 4 | F | 11 | 22 | 75 | - |
| DO68916005 | 5 | F | 11 | 22 | 75 | - |
| DO68916006 | 6 | F | 11 | 22 | 75 | - |
| DO68916007 | 7 | F | 16 | 22 | 75 | - |
| DO68916008 | 8 | F | 16 | 22 | 75 | - |
| DO68916009 | 9 | F | 16 | 22 | 75 | - |
| DO68916010 | 10 | F | 16 | 22 | 75 | - |
| DO68916011 | 11 | F | 16 | 22 | 75 | - |
| DO68916012 | 12 | F | 16 | 22 | 75 | - |
| DO68916013 | 13 | F | 16 | 22 | 75 | - |
| DO68916014 | 14 | F | 16 | 22 | 75 | - |
| DO68916015 | 15 | F | 16 | 22 | 75 | - |
| DO68916016 | 16 | F | 16 | 22 | 75 | - |

Stud Bolt Setters

| Type | Size | D1 mm | D2 mm | L mm |
|------------|-----------|-------|-------|------|
| DO66A10062 | M6 x 1 | 12,5 | 22 | 50 |
| DO66A10083 | M8 x 1,25 | 15 | 22 | 50 |
| DO66A10104 | M10 x 1,5 | 17 | 22 | 50 |



Sleeve drive sockets

1/2" Drive



1



2

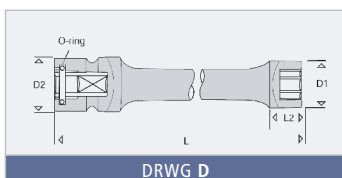
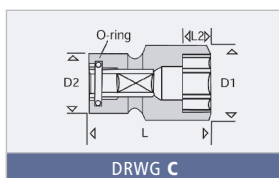
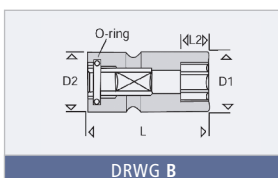
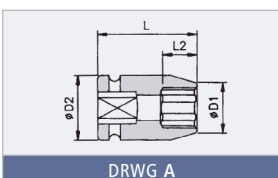


3

TiD-extra
Industrial Technologies d.o.o.

| SIZE | | | | | | |
|-----------------|--------|------|-------|-------|------|-------|
| 6-Point normal | | | | | | 1 |
| Type | A/F mm | DRWG | D1 mm | D2 mm | L mm | L2 mm |
| Metrical | | | | | | |
| DO60920012 | 12 | A | 20 | 25 | 52 | 12 |
| DO60920013 | 13 | A | 21 | 25 | 52 | 12 |
| DO60920014 | 14 | A | 22,5 | 25 | 52 | 12 |
| DO60920015 | 15 | A | 23,7 | 30 | 52 | 12 |
| DO60920016 | 16 | A | 25 | 30 | 52 | 12 |
| DO60920017 | 17 | A | 26 | 30 | 52 | 12 |
| DO60920018 | 18 | A | 27,5 | 30 | 52 | 12 |
| DO60920019 | 19 | A | 28,7 | 30 | 52 | 12 |
| DO60920021 | 21 | B | 30 | 30 | 52 | 12 |
| DO60920022 | 22 | C | 32 | 30 | 52 | 12 |
| DO60920023 | 23 | C | 32 | 30 | 52 | 12 |
| DO60920024 | 24 | C | 35 | 30 | 52 | 12 |
| DO60920025 | 25 | C | 36 | 30 | 57 | 12 |
| DO60920027 | 27 | C | 39 | 30 | 57 | 12 |
| DO60920030 | 30 | C | 42 | 30 | 62 | 12 |
| DO60920032 | 32 | C | 44 | 30 | 62 | 12 |

| SIZE | | | | | | |
|-----------------|--------|------|-------|-------|------|-------|
| 6-Point long | | | | | | 2 |
| Type | A/F mm | DRWG | D1 mm | D2 mm | L mm | L2 mm |
| Metrical | | | | | | |
| DO60923010 | 10 | D | 17 | 25 | 100 | 12 |
| DO60923012 | 12 | D | 19,5 | 25 | 100 | 12 |
| DO60923013 | 13 | D | 20,5 | 25 | 100 | 12 |
| DO60923014 | 14 | D | 21,5 | 25 | 100 | 12 |
| DO60923015 | 15 | D | 22,5 | 25 | 100 | 12 |
| DO60923017 | 17 | D | 25 | 25 | 100 | 13 |
| DO60923019 | 19 | D | 28 | 25 | 100 | 13 |
| | | | | | | |
| DO60924010 | 10 | D | 17 | 25 | 150 | 12 |
| DO60924012 | 12 | D | 19,5 | 25 | 150 | 12 |
| DO60924013 | 13 | D | 20,5 | 25 | 150 | 12 |
| DO60924014 | 14 | D | 21,5 | 25 | 150 | 12 |
| DO60924015 | 15 | D | 22,5 | 25 | 150 | 12 |
| DO60924017 | 17 | D | 25 | 25 | 150 | 13 |
| DO60924019 | 19 | D | 28 | 25 | 150 | 13 |
| | | | | | | |
| DO60925010 | 10 | D | 17 | 25 | 200 | 12 |
| DO60925012 | 12 | D | 19,5 | 25 | 200 | 12 |
| DO60925013 | 13 | D | 20,5 | 25 | 200 | 12 |
| DO60925014 | 14 | D | 21,5 | 25 | 200 | 12 |
| DO60925015 | 15 | D | 22,5 | 25 | 200 | 12 |
| DO60925017 | 17 | D | 25 | 25 | 200 | 13 |
| DO60925019 | 19 | D | 28 | 25 | 200 | 13 |



| SIZE | | | | | | |
|-----------------------|--------|------|-------|-------|------|-------|
| 6-Point long magnetic | | | | | | 3 |
| Type | A/F mm | DRWG | D1 mm | D2 mm | L mm | L2 mm |
| Metrical | | | | | | |
| DO6092P010 | 10 | D | 17,5 | 25 | 100 | 4 |
| DO6092P011 | 11 | D | 18,5 | 25 | 100 | 5 |
| DO6092P012 | 12 | D | 20 | 25 | 100 | 5 |
| DO6092P013 | 13 | D | 21 | 25 | 100 | 6 |
| DO6092P014 | 14 | D | 22,5 | 25 | 100 | 6 |
| DO6092P015 | 15 | D | 23,5 | 30 | 100 | 7 |
| DO6092P016 | 16 | D | 25 | 30 | 100 | 7 |
| DO6092P017 | 17 | D | 26 | 30 | 100 | 7 |
| DO6092P018 | 18 | D | 27,5 | 30 | 100 | 8 |
| DO6092P019 | 19 | D | 28,5 | 30 | 100 | 8 |
| | | | | | | |
| DO6092R010 | 10 | D | 17,5 | 25 | 150 | 12 |
| DO6092R011 | 11 | D | 18,5 | 25 | 150 | 12 |
| DO6092R012 | 12 | D | 20 | 25 | 150 | 12 |
| DO6092R013 | 13 | D | 21 | 25 | 150 | 12 |
| DO6092R014 | 14 | D | 22,5 | 25 | 150 | 12 |
| DO6092R015 | 15 | D | 23,5 | 30 | 150 | 12 |
| DO6092R016 | 16 | D | 25 | 30 | 150 | 13 |
| DO6092R017 | 17 | D | 26 | 30 | 150 | 13 |
| DO6092R018 | 18 | D | 27,5 | 30 | 150 | 13 |
| DO6092R019 | 19 | D | 28,5 | 30 | 150 | 13 |
| | | | | | | |
| DO6092T010 | 10 | D | 17,5 | 25 | 200 | 12 |
| DO6092T011 | 11 | D | 18,5 | 25 | 200 | 12 |
| DO6092T012 | 12 | D | 20 | 25 | 200 | 12 |
| DO6092T013 | 13 | D | 21 | 25 | 200 | 12 |
| DO6092T014 | 14 | D | 22,5 | 25 | 200 | 12 |
| DO6092T015 | 15 | D | 23,5 | 30 | 200 | 12 |
| DO6092T016 | 16 | D | 25 | 30 | 200 | 13 |
| DO6092T017 | 17 | D | 26 | 30 | 200 | 13 |
| DO6092T018 | 18 | D | 27,5 | 30 | 200 | 13 |
| DO6092T019 | 19 | D | 28,5 | 30 | 200 | 13 |

Sleeve drive sockets

1/2" Drive

TiD-extra
Industrial Technologies d.o.o.

SIZE

6-Point normal magnetic

| Type | A/F mm | DRWG | D1 mm | D2 mm | L mm | L2 mm |
|------|--------|------|-------|-------|------|-------|
|------|--------|------|-------|-------|------|-------|

Metrical

| | | | | | | |
|------------|----|---|------|----|----|----|
| DO6092A006 | 6 | A | 13 | 25 | 52 | 5 |
| DO6092A007 | 7 | A | 14 | 25 | 52 | 5 |
| DO6092A008 | 8 | A | 15 | 25 | 52 | 7 |
| DO6092A009 | 9 | A | 16 | 25 | 52 | 7 |
| DO6092A010 | 10 | A | 17,5 | 25 | 52 | 8 |
| DO6092A011 | 11 | A | 18,5 | 25 | 52 | 9 |
| DO6092A012 | 12 | A | 20 | 25 | 52 | 12 |
| DO6092A013 | 13 | A | 21 | 25 | 52 | 12 |
| DO6092A014 | 14 | A | 22,5 | 25 | 52 | 12 |
| DO6092A015 | 15 | A | 23,5 | 30 | 52 | 12 |
| DO6092A016 | 16 | A | 25 | 30 | 52 | 12 |
| DO6092A017 | 17 | A | 26 | 30 | 52 | 12 |
| DO6092A018 | 18 | A | 27,5 | 30 | 52 | 12 |
| DO6092A019 | 19 | A | 28,5 | 30 | 52 | 12 |
| DO6092A020 | 20 | B | 30 | 30 | 52 | 12 |
| DO6092A021 | 21 | C | 31 | 30 | 52 | 12 |
| DO6092A022 | 22 | C | 32 | 30 | 52 | 12 |
| DO6092A023 | 23 | C | 34 | 30 | 52 | 12 |
| DO6092A024 | 24 | C | 35 | 30 | 52 | 12 |
| DO6092A025 | 25 | C | 36 | 30 | 57 | 12 |
| DO6092A026 | 26 | C | 38 | 30 | 57 | 12 |
| DO6092A027 | 27 | C | 38,5 | 30 | 57 | 12 |

SIZE

6-Point deep magnetic

| Type | A/F mm | DRWG | D1 mm | D2 mm | L mm | L1 mm |
|------|--------|------|-------|-------|------|-------|
|------|--------|------|-------|-------|------|-------|

Metrical

| | | | | | | |
|------------|----|---|------|----|-----|---|
| DO6092Q010 | 10 | A | 17,5 | 25 | 100 | 5 |
| DO6092Q013 | 13 | A | 21,0 | 25 | 100 | 6 |
| DO6092Q016 | 16 | A | 25,0 | 30 | 100 | 7 |
| DO6092Q017 | 17 | A | 26,0 | 30 | 100 | 7 |
| DO6092Q019 | 19 | A | 28,5 | 30 | 100 | 8 |

SIZE

Torx® external

| Type | A/F | DRWG | D1 mm | D2 mm | L mm | L2 mm |
|------|-----|------|-------|-------|------|-------|
|------|-----|------|-------|-------|------|-------|

| | | | | | | |
|------------|-----|---|----|----|----|------|
| DO66920010 | E10 | A | 14 | 25 | 52 | 7,5 |
| DO66920011 | E11 | A | 15 | 25 | 52 | 8 |
| DO66920012 | E12 | A | 16 | 25 | 52 | 8,5 |
| DO66920014 | E14 | A | 18 | 25 | 52 | 10 |
| DO66920016 | E16 | A | 20 | 25 | 52 | 11 |
| DO66920018 | E18 | A | 22 | 25 | 52 | 12,5 |
| DO66920020 | E20 | A | 25 | 30 | 52 | 14 |
| DO66920022 | E22 | A | 27 | 30 | 52 | 15 |
| DO66920024 | E24 | A | 29 | 30 | 52 | 16,5 |

Torx® is a trademark of Textron.

SIZE

Torx® internal

| Type | A/F | DRWG | L1 mm | D2 mm | L mm | - |
|------|-----|------|-------|-------|------|---|
|------|-----|------|-------|-------|------|---|

| | | | | | | |
|------------|------|---|------|----|----|---|
| DO68821020 | T20 | F | 2,8 | 25 | 75 | - |
| DO68821025 | T25 | F | 3,0 | 25 | 75 | - |
| DO68821027 | T27 | F | 3,0 | 25 | 75 | - |
| DO68821030 | T30 | F | 3,8 | 25 | 75 | - |
| DO68821040 | T40 | F | 3,8 | 25 | 75 | - |
| DO68821045 | T45 | F | 4,3 | 25 | 75 | - |
| DO68821047 | T47 | F | 5,0 | 25 | 75 | - |
| DO68821050 | T50 | F | 5,0 | 25 | 75 | - |
| DO68821055 | T55 | F | 5,5 | 25 | 75 | - |
| DO68821060 | T60 | F | 8,0 | 25 | 75 | - |
| DO68821070 | T70 | F | 9,4 | 25 | 75 | - |
| DO68821080 | T80 | F | 10,5 | 25 | 75 | - |
| DO68821090 | T90 | F | 11,8 | 25 | 75 | - |
| DO68821100 | T100 | F | 13,1 | 25 | 75 | - |

Torx® is a trademark of Textron.

SIZE

Hex Driver 6-Point (Inbus)

| Type | A/F mm | DRWG | L1 mm | D2 mm | L mm | - |
|------|--------|------|-------|-------|------|---|
|------|--------|------|-------|-------|------|---|

Metrical

| | | | | | | |
|------------|----|---|----|----|----|---|
| DO68925003 | 3 | F | 11 | 25 | 75 | - |
| DO68925004 | 4 | F | 11 | 25 | 75 | - |
| DO68925005 | 5 | F | 15 | 25 | 75 | - |
| DO68925006 | 6 | F | 15 | 25 | 75 | - |
| DO68925007 | 7 | F | 20 | 25 | 75 | - |
| DO68925008 | 8 | F | 25 | 25 | 75 | - |
| DO68925009 | 9 | F | 25 | 25 | 75 | - |
| DO68925010 | 10 | F | 25 | 25 | 75 | - |
| DO68925011 | 11 | F | 25 | 25 | 75 | - |
| DO68925012 | 12 | F | 25 | 25 | 75 | - |
| DO68925013 | 13 | F | 25 | 25 | 75 | - |
| DO68925014 | 14 | F | 25 | 25 | 75 | - |
| DO68925015 | 15 | F | 25 | 25 | 75 | - |
| DO68925016 | 16 | F | 25 | 25 | 75 | - |
| DO68925017 | 17 | F | 25 | 25 | 75 | - |
| DO68925018 | 18 | F | 25 | 25 | 75 | - |
| DO68925019 | 19 | F | 25 | 25 | 75 | - |

Stud Bolt Setters

| Type | Size | D1 mm | D2 mm | L mm |
|------------|------------|-------|-------|------|
| DO66A21062 | M6 x 1 | 13 | 25 | 75 |
| DO66A21083 | M8 x 1,25 | 15 | 25 | 75 |
| DO66A21104 | M10 x 1,5 | 17 | 25 | 75 |
| DO66A21125 | M12 x 1,75 | 19 | 25 | 75 |
| DO66A21146 | M14 x 2 | 22 | 25 | 75 |
| DO66A21166 | M16 x 2 | 27 | 30 | 75 |



Sleeve drive sockets

3/4" Drive



1



2



3



4



5

SIZE 6-Point normal 1

| Type | A/F mm | DRWG | D1 mm | D2 mm | L mm | L2 mm |
|------|--------|------|-------|-------|------|-------|
|------|--------|------|-------|-------|------|-------|

Metrical

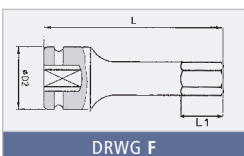
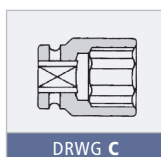
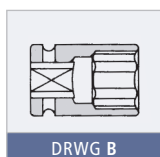
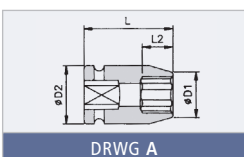
| | | | | | | |
|------------|----|---|----|----|----|----|
| DO60940017 | 17 | A | 31 | 44 | 65 | 12 |
| DO60940018 | 18 | A | 32 | 44 | 65 | 12 |
| DO60940019 | 19 | A | 33 | 44 | 65 | 14 |
| DO60940021 | 21 | A | 35 | 44 | 65 | 16 |
| DO60940022 | 22 | A | 37 | 44 | 65 | 16 |
| DO60940023 | 23 | A | 38 | 44 | 65 | 16 |
| DO60940024 | 24 | A | 39 | 44 | 65 | 16 |
| DO60940026 | 26 | A | 41 | 44 | 65 | 16 |
| DO60940027 | 27 | A | 43 | 44 | 65 | 16 |
| DO60940028 | 28 | B | 44 | 44 | 68 | 20 |
| DO60940029 | 29 | C | 45 | 44 | 68 | 20 |
| DO60940030 | 30 | C | 47 | 44 | 68 | 20 |
| DO60940032 | 32 | C | 49 | 44 | 70 | 20 |
| DO60940033 | 33 | C | 51 | 44 | 70 | 20 |
| DO60940034 | 34 | C | 52 | 44 | 70 | 20 |
| DO60940035 | 35 | C | 53 | 44 | 70 | 20 |
| DO60940036 | 36 | C | 54 | 44 | 70 | 20 |
| DO60940038 | 38 | C | 57 | 44 | 72 | 22 |
| DO60940041 | 41 | C | 60 | 44 | 72 | 22 |
| DO60940046 | 46 | C | 67 | 54 | 77 | 23 |
| DO60940050 | 50 | C | 71 | 54 | 77 | 23 |

SIZE 6-Point magnetic 2

| Type | A/F mm | DRWG | D1 mm | D2 mm | L mm | L2 mm |
|------|--------|------|-------|-------|------|-------|
|------|--------|------|-------|-------|------|-------|

Metrical

| | | | | | | |
|------------|----|---|------|----|----|----|
| DO6094A013 | 13 | A | 24,5 | 44 | 65 | 12 |
| DO6094A014 | 14 | A | 25,5 | 44 | 65 | 12 |
| DO6094A015 | 15 | A | 27 | 44 | 65 | 12 |
| DO6094A016 | 16 | A | 28 | 44 | 65 | 12 |
| DO6094A017 | 17 | A | 30 | 44 | 65 | 12 |
| DO6094A018 | 18 | A | 31 | 44 | 65 | 12 |
| DO6094A019 | 19 | A | 32 | 44 | 65 | 14 |
| DO6094A020 | 20 | A | 34 | 44 | 68 | 14 |
| DO6094A021 | 21 | A | 35 | 44 | 68 | 16 |
| DO6094A022 | 22 | A | 37 | 44 | 68 | 16 |
| DO6094A023 | 23 | A | 38 | 44 | 68 | 16 |
| DO6094A024 | 24 | A | 39 | 44 | 68 | 16 |
| DO6094A025 | 25 | A | 41 | 44 | 69 | 16 |
| DO6094A026 | 26 | A | 42 | 44 | 69 | 16 |
| DO6094A027 | 27 | A | 43 | 44 | 69 | 16 |



SIZE Hex Driver 6-Point (Inbus) 3

| Type | A/F mm | DRWG | D2 mm | L mm | L2 mm |
|------|--------|------|-------|------|-------|
|------|--------|------|-------|------|-------|

Metrical

| | | | | | | |
|------------|----|---|----|-----|----|---|
| DO68945010 | 10 | F | 44 | 100 | 20 | - |
| DO68945012 | 12 | F | 44 | 100 | 20 | - |
| DO68945014 | 14 | F | 44 | 100 | 20 | - |
| DO68945016 | 16 | F | 44 | 100 | 20 | - |
| DO68945017 | 17 | F | 44 | 100 | 20 | - |
| DO68945019 | 19 | F | 44 | 100 | 20 | - |
| DO68945022 | 22 | F | 44 | 100 | 20 | - |
| DO68945024 | 24 | F | 44 | 100 | 20 | - |
| DO68945027 | 27 | F | 44 | 100 | 20 | - |
| DO68945030 | 30 | F | 44 | 100 | 20 | - |
| DO68945032 | 32 | F | 44 | 100 | 20 | - |
| DO68945033 | 33 | F | 44 | 100 | 20 | - |
| DO68945036 | 36 | F | 44 | 100 | 20 | - |
| DO68945038 | 38 | F | 44 | 100 | 20 | - |

SIZE Torx® external 4

| Type | A/F | DRWG | D1 mm | D2 mm | L mm | L2 mm |
|------|-----|------|-------|-------|------|-------|
|------|-----|------|-------|-------|------|-------|

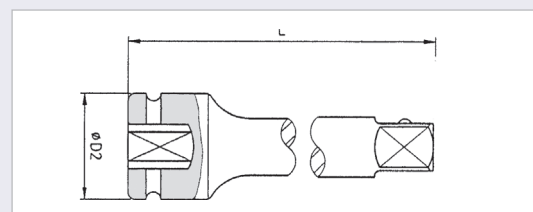
| | | | | | | |
|------------|-----|---|----|----|----|------|
| DO66940018 | E18 | A | 26 | 44 | 65 | 12,5 |
| DO66940020 | E20 | A | 28 | 44 | 65 | 14 |
| DO66940022 | E22 | A | 31 | 44 | 65 | 15 |
| DO66940024 | E24 | A | 33 | 44 | 65 | 16,5 |

Torx® is a trademark of Textron.

Extensions

5

| Type | Square-drive | L mm | D2 mm |
|-----------------|--------------|------|-------|
| Metrical | | | |
| DO64614075 | 3/8" | 75 | 22 |
| DO64614125 | 3/8" | 125 | 22 |
| DO64614250 | 3/8" | 250 | 22 |
| DO64624075 | 1/2" | 75 | 25 |
| DO64624125 | 1/2" | 125 | 25 |
| DO64624175 | 1/2" | 175 | 25 |
| DO64624250 | 1/2" | 250 | 25 |
| DO64644175 | 3/4" | 175 | 44 |
| DO64644250 | 3/4" | 250 | 44 |
| DO64644330 | 3/4" | 330 | 44 |

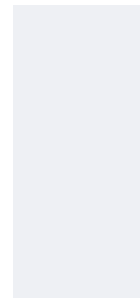
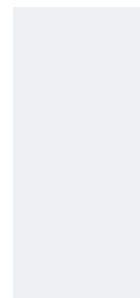


Sleeve drive sockets

Adaptors

| SIZE | | | | | | |
|----------------------|----------|-----------|-------|------|---|---|
| Quickchange adaptors | | | | | | 1 |
| Type | Drive-in | Drive-out | D2 mm | L mm | - | - |
| Metrical | | | | | | |
| DO69151116 | 3/8" | 1/2" | 20 | 80 | - | - |
| DO69152112 | 1/2" | 3/8" | 25 | 75 | - | - |
| DO69154116 | 3/4" | 1/2" | 44 | 90 | - | - |
| DO69151112 | 3/8" | 3/8" | 19 | 75 | - | - |
| DO69151212 | 3/8" | 3/8" | 19 | 100 | - | - |
| DO69152216 | 1/2" | 1/2" | 25 | 100 | - | - |
| DO69154324 | 3/4" | 3/4" | 44 | 125 | - | - |

| SIZE | | | | | | |
|----------------------|--------------|-----------|-------|------|---|---|
| Quickchange adaptors | | | | | | 2 |
| Type | Square-drive | Hex chuck | D2 mm | L mm | - | - |
| Metrical | | | | | | |
| DO69111E08 | 3/8" | 1/4" | 52 | 22 | - | - |
| DO69111E14 | 3/8" | 7/16" | 62 | 22 | - | - |
| DO69112E08 | 1/2" | 1/4" | 60 | 25 | - | - |
| DO69112E14 | 1/2" | 7/16" | 70 | 25 | - | - |
| DO69114E14 | 3/4" | 7/16" | 80 | 44 | - | - |

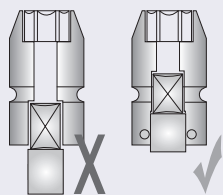


Action sleeve drive power sockets guarantee reduced vibration!

Action sleeve drive power sockets are supported with an O-ring on the axle of the impulse wrench, giving a tighter fit on the tool.

Sleeve drive power sockets guarantee:

- Torque improvement
- Reduced vibration
- Reduced noise level
- Reduced wear



Impact sockets sets

3/8" Impact socket set

DO0038-0-010

Contents:

10 pcs. normal size sockets
9 - 10 - 11 - 12 - 13 - 14 - 15 - 16 - 17 - 19 mm
 Package: blow-mold-case



1/2" Impact socket set

DO0012-0-000S

Contents:

10 impact sockets
9 - 10 - 11 - 13 - 14 - 17 - 19 - 22 - 24 - 27 mm
 Package: metal case



3/4" Set Kraftsteckschlüssel

DO0034-0-008

Contents:

8 pcs. normal size sockets
24 - 27 - 30 - 32 - 33 - 36 - 38 - 41 mm
 Package: plastic tray & metal case



1/2" Ex- & internal Torx® Impact socket

DO69623161

Contents:

9 Impact sockets, thin wall Torx® external
E10 - E11 - E12 - E14 - E16 - E18 - E20 - E22 - E24
 7 Impact sockets Torx® internal, length 55 mm
T40 - T45 - T47 - T50 - T55 - T60 - T70
 Package: blow-mold-case



1/2" Hex Head Set

DO69521093

Contents:

9 Hex Head - power sockets
4 - 5 - 6 - 8 - 10 - 12 - 14 - 17 - 19 mm
 Package: plastic tray & metal case



1/2" Impact socket set long

DO69523108

Contents:

10 impact sockets, long
10 - 11 - 13 - 14 - 17 - 19 - 21 - 22 - 24 - 27 mm
 Package: plastic case



1" Impact socket set long

DO0100-1-007

Contents:

7 impact sockets, long
24 - 27 - 30 - 32 - 33 - 36 - 41 mm
 Package: plastic case



Impact sockets sets

1/2" Special socket set for wheel log nut

DO0012-0-286

Contents:

7 Impact sockets, normal sizes
17 - 18,5 - 20 - 21,5 - 23 - 24,5 - 26 mm
 Package: blow-mold-case



1/2" Special socket set for wheel log nut

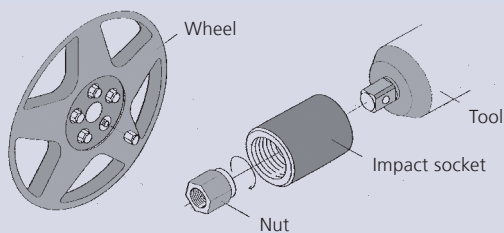
DO0012-1-286

Contents:

8 Impact sockets thin wall, long sizes
17 - 18,5 - 20 - 21,5 - 23 - 24,5 - 26 - 27,5 mm
 Package: blow-mold-case



Application wheel lug nut remover sockets



1/2" Wheel nut impact socket set

DO69523183

Inhalt:

9 Impact sockets, normal sizes
10 - 11 - 13 - 14 - 17 - 19 - 21 - 22 - 24 mm
 4 Impact sockets, long sizes
13 - 14 - 21 - 24 mm
 3 Impact sockets thin wall, long sizes
17 - 19 - 21 mm
1 Universal joint
1 Extension bar 125 mm
 Package: blow-mold-case



3/4" + 1" 15 Piece truckrepair set

DO69643151

Contents:

- 1) 5 Impact sockets Torx® internal **T60, T70, T80, T90, T100**
- 2) 4 Impact sockets Torx® external **E18, E20, E22, E24**
- 3) 4 Impact sockets internal hex. **17 - 19 - 22 - 24 mm**
- 4) + 3/4" and 1" Hexagon bitholder **22 mm**
 + Hexagon spanner **2,5 mm**

Package: blow-mold-case

| | Type | Ordernumber |
|----|--------------------------|-------------------|
| 1) | Torx® internal T60 | DO697LB060 |
| | Torx® internal T70 | DO697LB070 |
| | Torx® internal T80 | DO697LB080 |
| | Torx® internal T90 | DO697LB090 |
| | Torx® internal T100 | DO697LB100 |
| 2) | Torx® external E18 | DO697RB118 |
| | Torx® external E20 | DO697RB120 |
| | Torx® external E22 | DO697RB122 |
| | Torx® external E24 | DO697RB124 |
| 3) | Internal hex 17 mm | DO697RB017 |
| | Internal hex 19 mm | DO697RB019 |
| | Internal hex 22 mm | DO697RB022 |
| | Internal hex 24 mm | DO697RB024 |
| 4) | 3/4" hex bitholder 22 mm | DO6054H022 |
| | 1" hex bitholder 22 mm | DO6055N022 |



Torque sockets

1/2"
+ 1"

Torque sockets



| Type 1/2" | A/F mm | Nm | Length | Colour |
|------------|--------|-----|--------|--------|
| DO68122D17 | 17 | 75 | 220 | green |
| DO68122L17 | 17 | 110 | 220 | red |
| DO68122G19 | 19 | 90 | 220 | yellow |
| DO68122L19 | 19 | 110 | 220 | bleu |
| DO68122M19 | 19 | 135 | 220 | grey |
| DO68122E21 | 21 | 80 | 220 | black |
| DO68122L21 | 21 | 110 | 220 | brown |

| Type 1" | A/F mm | Nm | Length | - |
|------------|--------|-----|--------|---|
| DO68552U23 | 23 | 250 | 305 | - |
| DO68552W24 | 24 | 350 | 305 | - |
| DO68552W27 | 27 | 350 | 305 | - |
| DO68552Z27 | 27 | 450 | 305 | - |
| DO68552Y29 | 29 | 400 | 305 | - |
| DO68552B30 | 30 | 550 | 305 | - |
| DO68552C30 | 30 | 600 | 305 | - |
| DO68552A32 | 32 | 500 | 305 | - |
| DO68552C32 | 32 | 600 | 305 | - |
| DO68552F32 | 32 | 700 | 305 | - |
| DO68552A33 | 33 | 500 | 305 | - |
| DO68552C33 | 33 | 600 | 305 | - |
| DO68552C36 | 36 | 600 | 305 | - |

1/2"

Wheel nut impact socket set extra long

DO61120310

Contents:

3 Impact sockets with plastic stop and sleeve

blue 17 mm - yellow 19 mm - red 21 mm

Package: blow-mold-case



Impact sockets also available as single sockets

| Type | SW mm | Colour | D1 mm | D2 mm | L mm | L1 mm | L2 mm |
|-----------------|-------|--------|-------|-------|------|-------|-------|
| Metrical | | | | | | | |
| DO6112J017 | 17 | blue | 27 | 25 | 130 | 87 | 24 |
| DO6112J019 | 19 | yellow | 29 | 30 | 130 | 87 | 24 |
| DO6112J021 | 21 | red | 31 | 30 | 130 | 87 | 24 |
| DO6112J022 | 22 | green | 32,5 | 30 | 130 | 87 | 24 |

For optimal protection of aluminium rims, sockets with plastic stop and sleeve in four different colours for easy identification.

1/2"

Wheel nut impact socket set long

DO69523031

Inhalt:

3 Impact sockets with plastic stop and sleeve

blue 17 mm - yellow 19 mm - red 21 mm

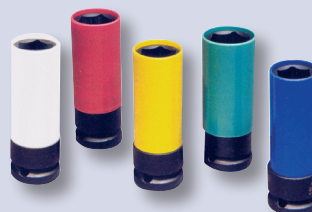
Package: blow-mold-case



Impact sockets also available as single sockets

| Type | A/F mm | Colour | D1 mm | D2 mm | L mm | L1 mm | L2 mm |
|-----------------|--------|--------|-------|-------|------|-------|-------|
| Metrical | | | | | | | |
| DO61126015 | 15 | white | 25 | 30 | 85 | 60 | 13 |
| DO61126017 | 17 | blue | 27 | 30 | 85 | 60 | 14 |
| DO61126019 | 19 | yellow | 29 | 30 | 85 | 60 | 15 |
| DO61126021 | 21 | red | 31 | 30 | 85 | 60 | 17 |
| DO61126022 | 22 | green | 32,5 | 30 | 85 | 60 | 18 |

For optimal protection of aluminium rims, sockets with plastic stop and sleeve in five different colours for easy identification.





ACTION

TiD-extra
Industrial Technologies d.o.o.



MAY 2012

www.tid-extra.hr