

ARO[®]

1/4" Dosing and Transfer Pump

Same Great Name. Revolutionary New Design.



TiD-extra
Industrial Technologies d.o.o.

IR Ingersoll Rand[®]

www.tid-extra.hr

ARO[®]

The Industry's Best Dosing Pump Just Got A ¼" Better.


When we set out to redesign our ¼" double diaphragm pump, we insisted on the industry's best priming, performance and precision. We wanted a pump that would stand apart with clog-free operation and best-in-class suction and flow, yet still be compatible with other

systems. We even added out-of-the-box custom options like solenoid control, a sophisticated leak detection system and end-of-stroke sensors. What we created was the ARO ¼" Dosing & Transfer Pump that's not only worth the wait, but worthy of your business.

TiD-extra[®]
Industrial Technologies d.o.o.



Detergents for commercial laundry systems



Cleaners and waxes for commercial carwashes



Neutralizing chemicals for wastewater

Compact in design, yet large on features.

Only ARO could pack so many features into a compact, 1/4" pump.

- Versatile OEM fluid dosing, from cleaners to chemicals to paint
- Industry-leading controllability, suction and flow rate validation
- Standard mounting pattern for easy exchange with most competitive models
- Clog-free operation (1/16" max. dia. solids) to reduce down-time and system problems.
- Maximum flow rate of up to 20 liters per minute
- 8.5 bar capacity for viscous fluids, long pipe runs and injection applications
- Superior compatibility with competitor systems and equipment
- Easy installation and maintenance with no lubrication needed

Plus options that offer built-in advantages.

- Integrated solenoid for volumetric repeatability (less than 3% variance)
- Flexible fluid checks that adjust to pass fibrous materials and semi-solids
- Built-in leak detection and end-of-stroke sensors



Paints and inks for transfers and printing



Adhesives for box conversion and packaging

Industry-Leading Innovation For Industry-Leading Value.

Trust Ingersoll Rand to design an ARO pump that delivers benefits to virtually any system.

ACCURACY

Pinpoint accuracy and consistency for precise dosing of a wide variety of fluids.



PERFORMANCE

Clog-free operation, high-pressure capability, and unmatched suction lift and flow.



SAFETY

Bolted construction, ported exhaust to reduce noise and potential contamination, optional leak detection kit, and ATEX-compliant models for worldwide safety.



FLEXIBILITY

Capability to handle a broad range of viscosities, plus industry-leading compatibility including an optional mounting plate that adapts to competitor footprints with minimal modifications.



VALUE

Custom options to design your pump to fit your needs, plus our exclusive five-year warranty for peace of mind.



Engineered To Tame The Toughest Fluids.

Our newly designed ARO 1/4" Dosing & Transfer Pump is built to last with high-performance to maximize productivity.

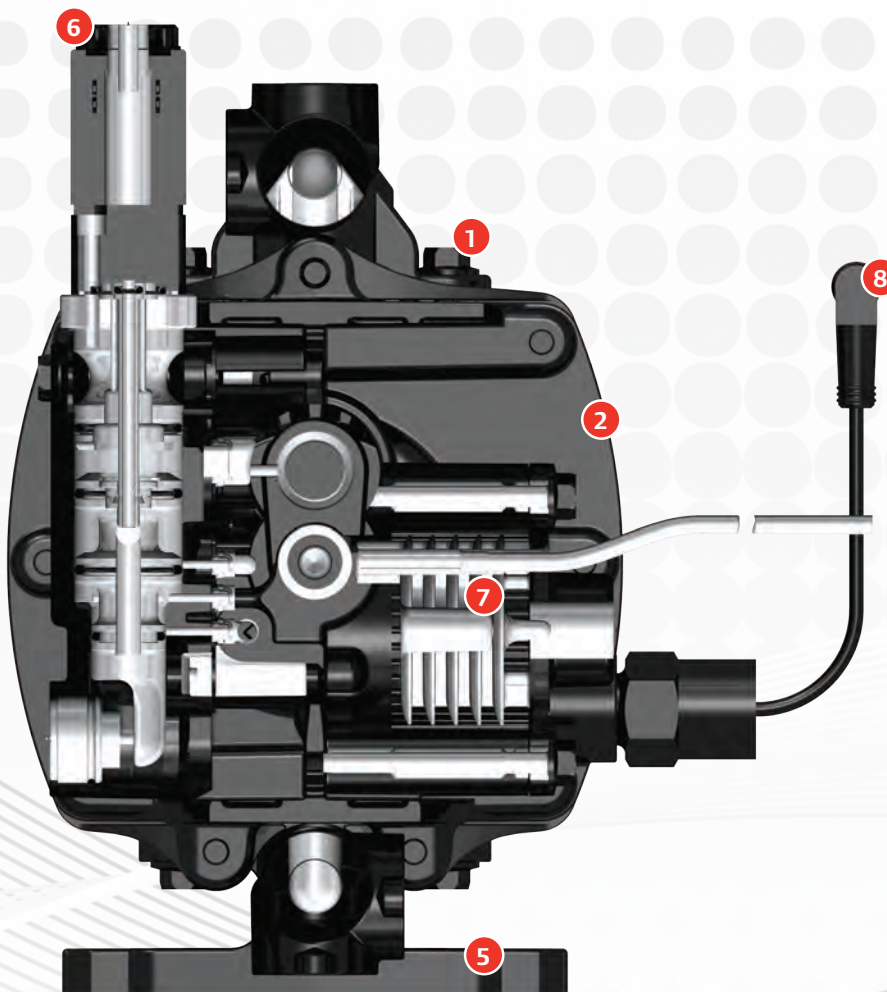
1. Stainless steel bolts (more than any other pump) for leak-free operation
2. Corrosion-resistant materials for added durability, reliability and safety
3. Internal and external manifold threads for easy installation and improved suction "not shown"
4. Longer-lasting diaphragm available in your choice of materials "not shown"
5. Mounting brackets that interchange with most major competitor pumps
6. Solenoid-actuated valve* for greater control (plus PE version with time-based solenoid control)
7. End-of-stroke monitoring* (integrated in muffler) to provide valuable data
8. Infrared leak detection sensors* that immediately detect a breach of fluid
9. Our Patented Flex-Checks™*

* Optional features to customize your pump.



9. Our Patented Flex-Checks™:

- Pass stringy and fibrous fluids, as well as semi-solids up to 3.2 mm
- Assure positive priming and 20% higher suction lift
- Prevent siphoning, even after pump is turned off
- Offer 360° mounting, ideal for applications where space is tight
- Are designed to be self-cleaning
- Demonstrate excellent resistance to abrasive, highly loaded fluids



Tailor Your 1/4" Pump To Your Application.

Whether you choose our standard ARO 1/4" Dosing & Transfer Pump or add an electronic interface, our unique, modular design lets you customize your pump right off the shelf.

Position	1	2	3	4	5	6	7	8	9	10	11*	12*	
Example:	PD	01	P	-	H	P	S	-	P	A	A	-	A

* Apply to electronic interface models only.

Position 1	
Code	Series
PD	Standard
PE	Electronic Interface

Position 2	
Code	Port Size
01	1/4"

Position 3	
Code	Center Section Material
E	Groundable poly
F	Poly w/ leak detection*
P	Polypropylene

Position 4	
Code	Connection
H	Hybrid 1/4" NPT/BSP

Position 5	
Code	Wetted Parts
D	Groundable acetal
K	PVDF (Kynar®)
P	Polypropylene

Position 6	
Code	Hardware
S	Stainless steel

Position 7	
Code	Seat Material
D	Acetal
K	PVDF
P	Polypropylene
0	Poly (flex check spacer)
1	Acetal (flex check spacer)
2	PVDF (flex check spacer)

Position 8	
Code	Ball Material
A	Santoprene
C	Hytrel
G	Nitrile
J	Nitrile (flex check only)
K	EPR (flex check only)
L	Viton (flex check only)
N	Neoprene (flex check only)
T	PTFE

Position 9	
Code	Diaphragm Material
A	Santoprene
C	Hytrel
G	Nitrile
T	PTFE

Position 10	
Code	Revision
A	First

Position 11*	
Code	Specialty Code 1
A	Solenoid 120VAC, 110VAC and 60VDC
B	Solenoid 12VDC, 24VAC and 22VAC
C	Solenoid 240VAC, 220VAC and 120VDC
D	Solenoid 24VDC, 48VAC and 44FAC
G	Solenoid 12VDC ATEX Zone 1
H	Solenoid 24VDC ATEX Zone 1
K	Solenoid 220VAC ATEX Zone 1
N	Solenoid (no coil)
O	Standard valve block (no solenoid)

Position 12*	
Code	Specialty Code 2
E	End-of-stroke feedback + leak detection w/ connector
F	End-of-stroke feedback w/ connector
L	Leak detection only
N	End-of-stroke feedback + leak detection (no connector)
P	End-of-stroke feedback (no connector)
O	No option



Part Of The Aro And Ingersoll Rand Legacy Of Success.

Our unique 1/4" pump joins an ARO line of sophisticated fluid handling solutions, all backed by an 80-year legacy of innovation and uncompromising support from Ingersoll Rand's 24/7 global service network. You can also rely on the

most highly trained service technicians and field specialists, superior testing under strict guidelines of the Hydraulic Institute of America, and our five-year warranty for worry-free operation.

Discover How Precise And Reliable Dosing And Transfer Can Be.

When you need custom solutions to make your business more profitable and operations more productive, you need ARO by Ingersoll Rand. To learn more about the revolutionary ARO Electronic Interface Diaphragm Pump with solenoid control and our complete line of ARO products, call 800-495-0276 or visit www.fluids.ingersollrand.com. Be sure to ask about our free Fluid-Handling Audit that can identify additional ways to make your applications more cost-effective and stress-free.





Ingersoll Rand (NYSE:IR) advances the quality of life by creating and sustaining safe, comfortable and efficient environments. Our people and our family of brands — including Club Car®, Ingersoll Rand®, Schlage®, Thermo King® and Trane® — work together to enhance the quality and comfort of air in homes and buildings; transport and protect food and perishables; secure homes and commercial properties; and increase industrial productivity and efficiency. Ingersoll Rand products range from complete compressed air systems, tools and pumps to material handling systems. The diverse and innovative products, services and solutions enhance our customers' energy efficiency, productivity and operations. We are a \$14 billion global business committed to a world of sustainable progress and enduring results.



ingersollrandproducts.com



Ingersoll Rand, IR and the IR logo are trademarks of Ingersoll Rand, its subsidiaries and/or affiliates.

Nothing contained on these pages is intended to extend any warranty or representation, expressed or implied, regarding the product described herein. Any such warranties or other terms and conditions of sale of product shall be in accordance with Ingersoll Rand's standard terms and conditions of sale for such products, which are available upon request. Product improvement is a continuing goal at Ingersoll Rand. Designs and specifications are subject to change without notice or obligation.